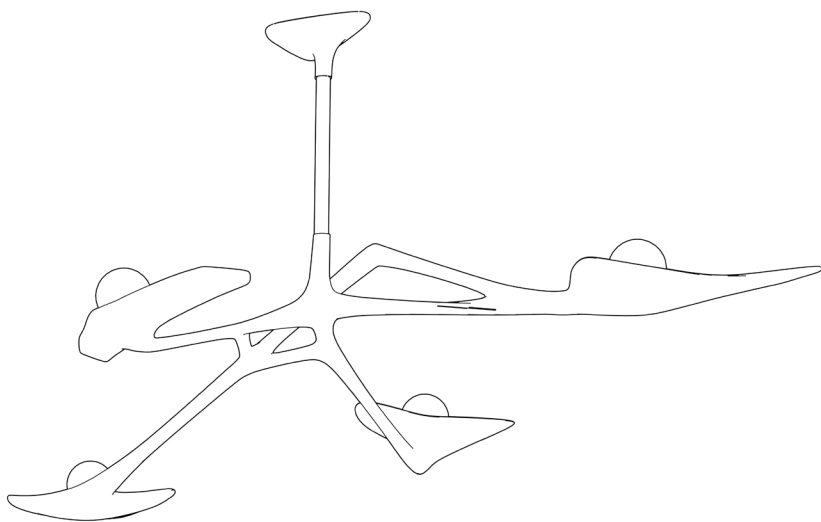


PEARL CHANDELIER

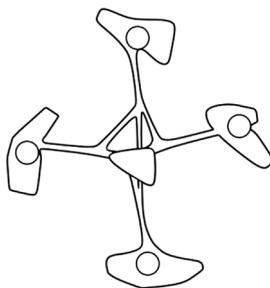
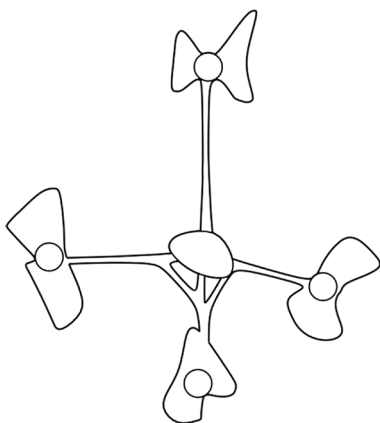
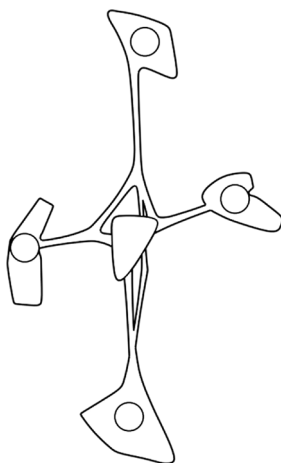
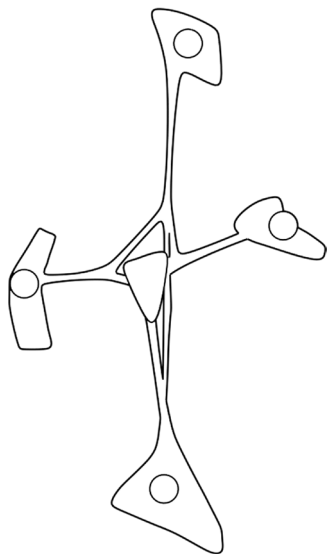
Installation Manual



KRASNOGOROV STUDIO

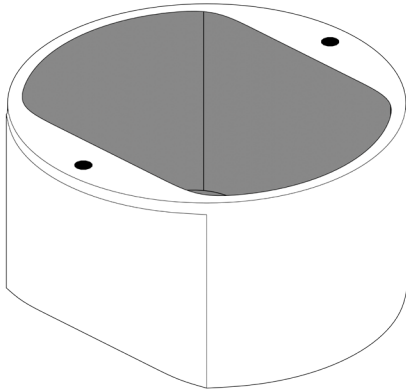
APPLICABLE MODELS

Pearl Chandelier
Mini Pearl Chandelier
Butterfly Chandelier
Akoya Chandelier



The Pearl Chandelier uses G9 LED low voltage dimmable bulbs in warm white.

Lutron and Leviton dimmer switches that work with LED lighting are recommended.



CEILING LIGHT
FIXTURE BOX
Recommended Size

4" round
2-1/8 in. deep
21.5 cu. in.

An LED driver is provided which would fit in our recommended ceiling light fixture box size.

For help with installation or any additional questions, you can contact us at info@krasnogorovstudio.com

ENCLOSED PARTS



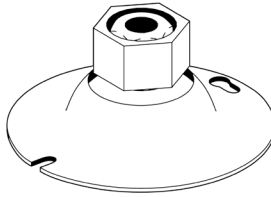
Threaded
Pipe



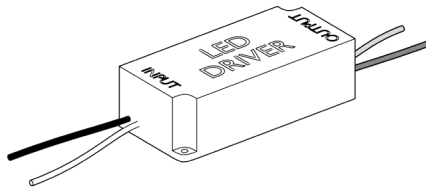
Coupling



Lock Nut

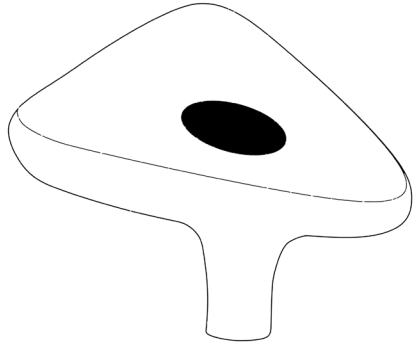


Swivel Fixture



LED Driver

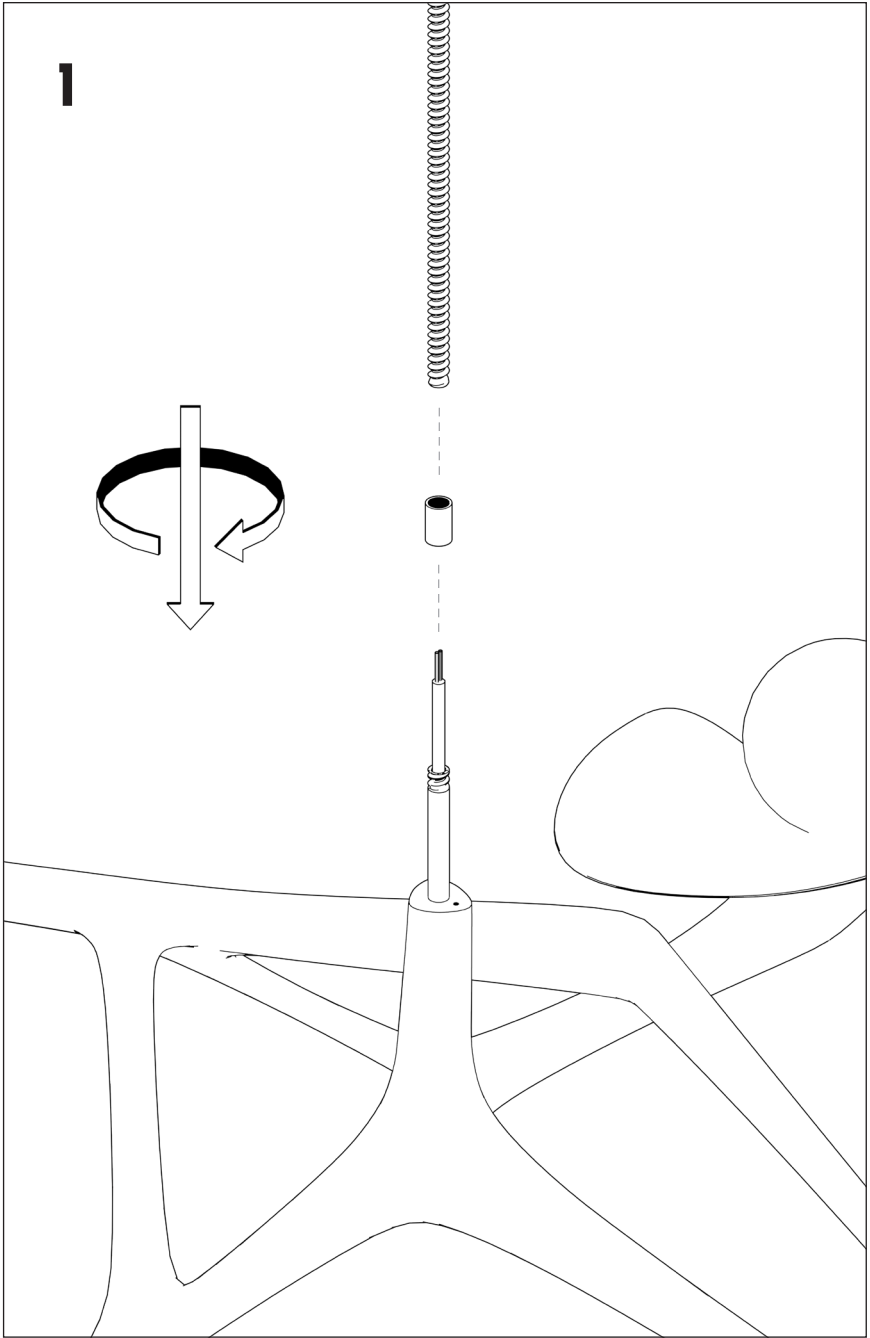
Canopy



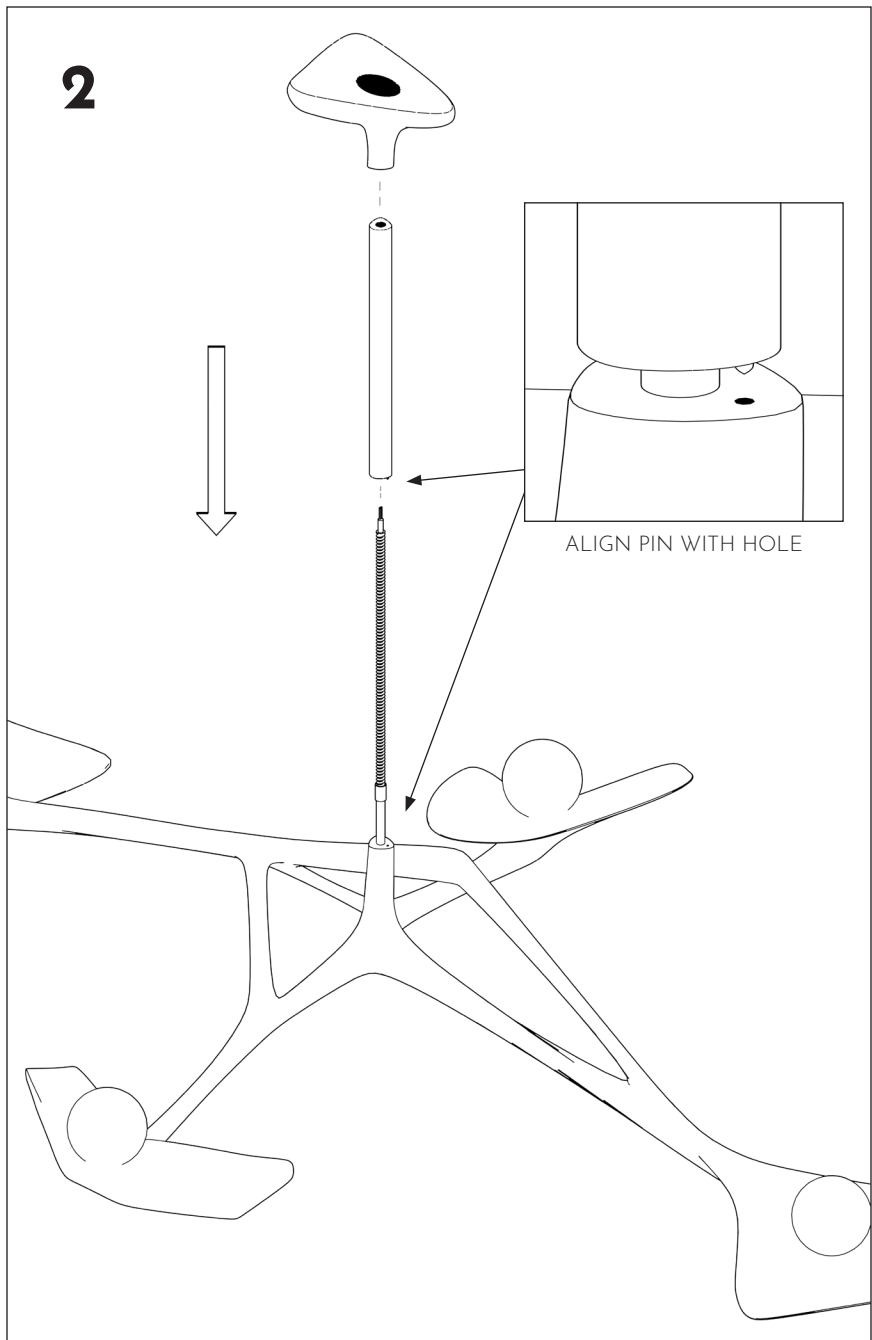
Set Screw
preinstalled in canopy



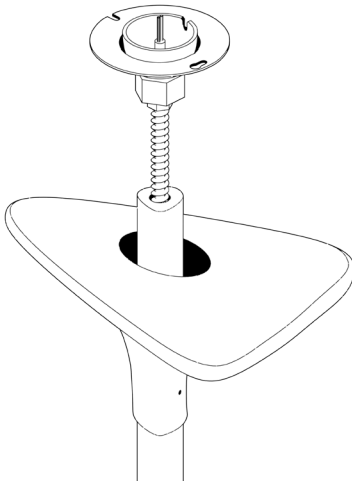
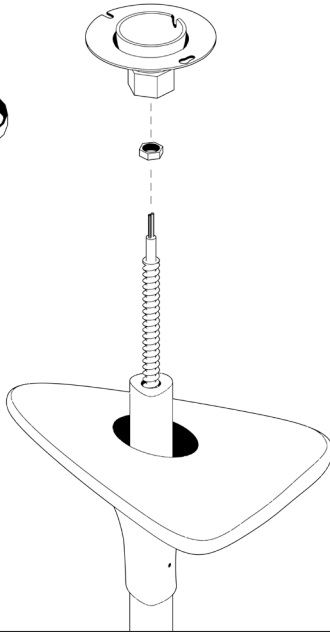
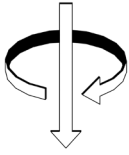
Suspension Arm



2

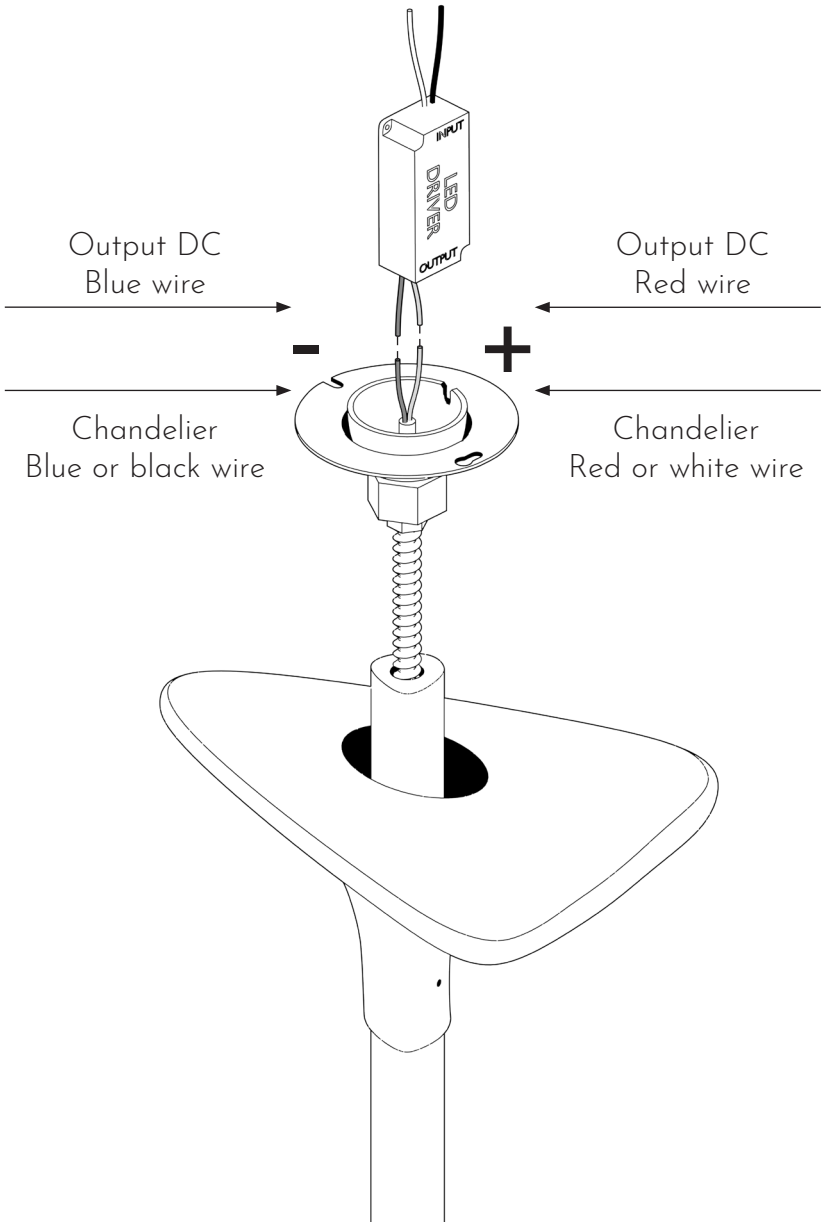


3

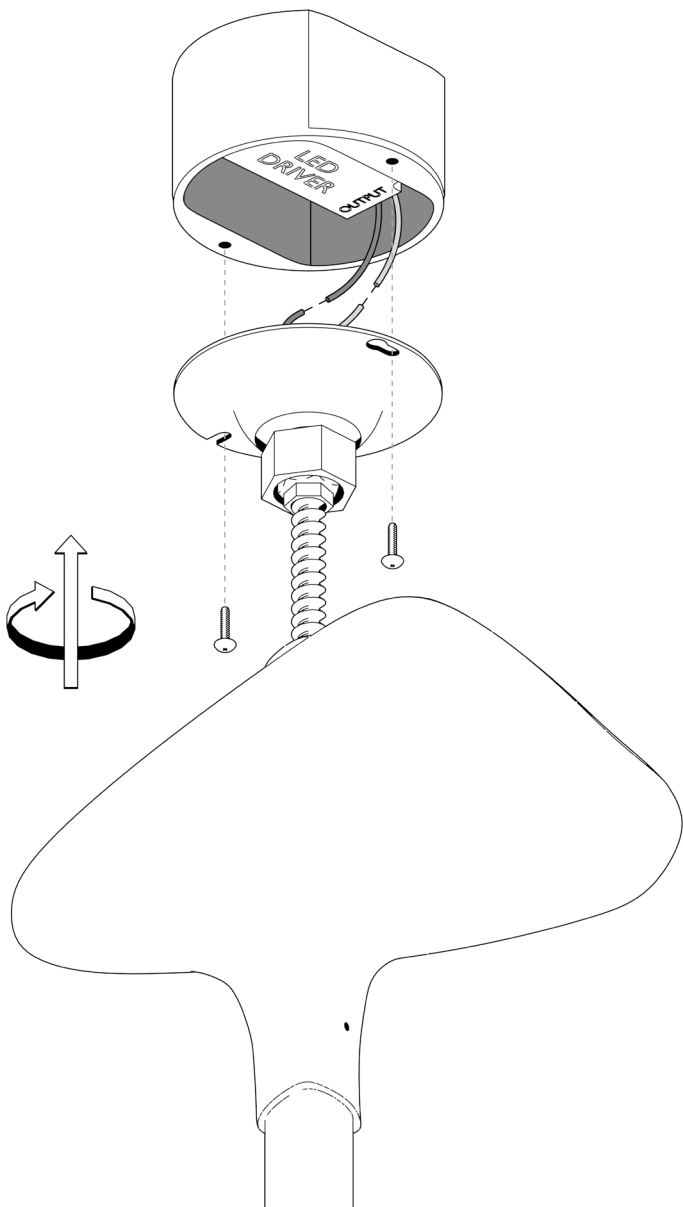


4

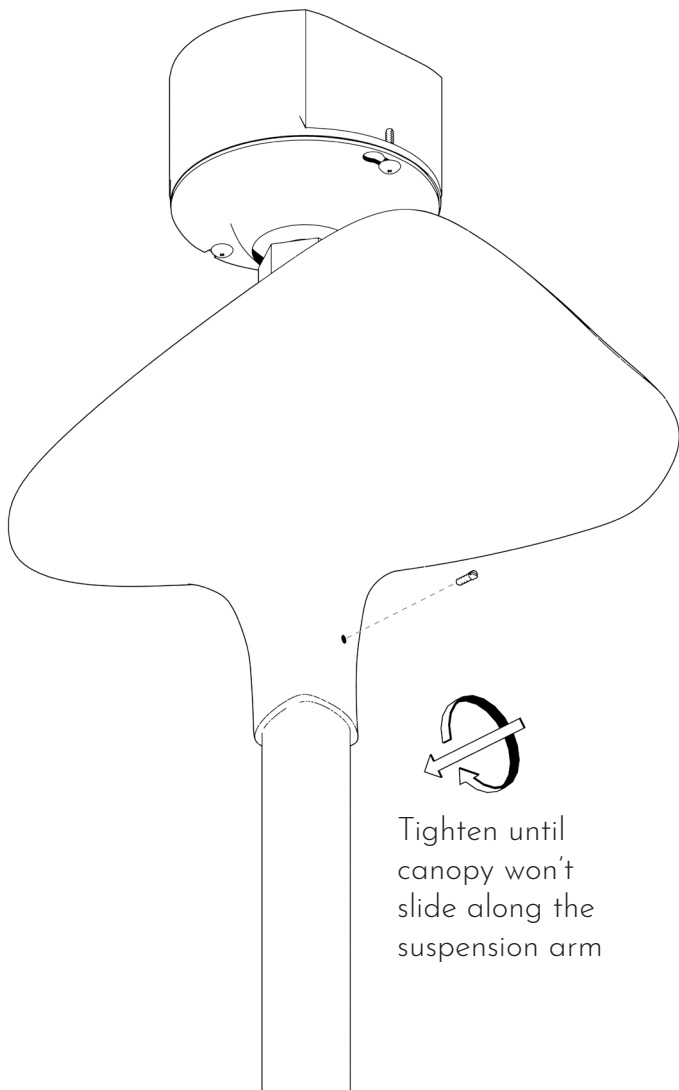
Input 110v



5



6



Tighten until
canopy won't
slide along the
suspension arm

