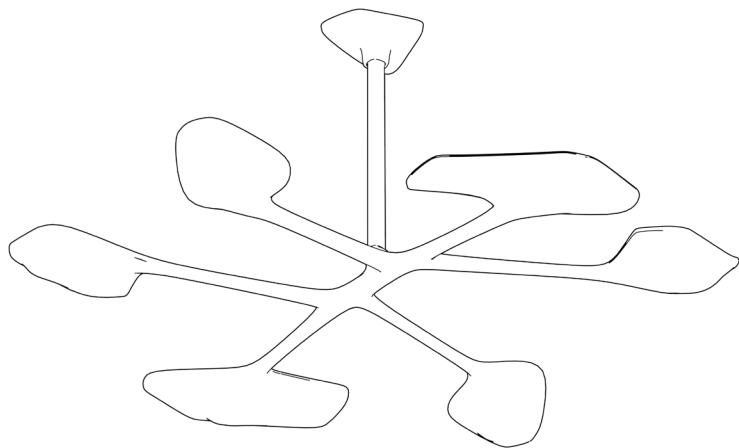


# WATIYA JUTA CHANDELIER

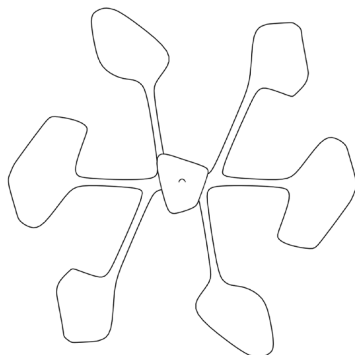
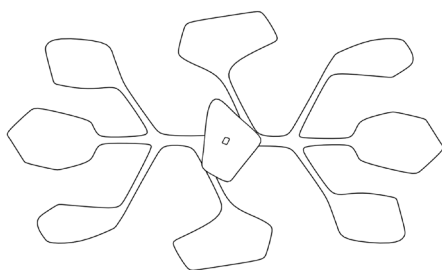
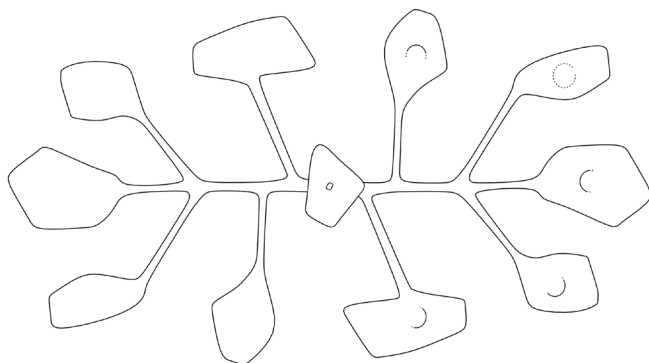
## Installation Manual



KRASNOGOROV STUDIO

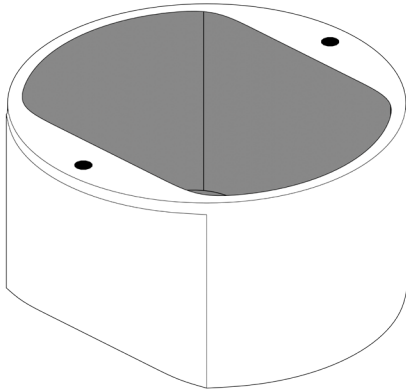
# APPLICABLE MODELS

Watiya Juta 10  
Watiya Juta 8  
Watiya Juta 6



The Watiya Juta Chandelier uses LED low voltage dimmable lights in warm white.

Lutron and Leviton dimmer switches that work with LED lighting are recommended.



CEILING LIGHT  
FIXTURE BOX  
Recommended Size

4" round  
2-1/8 in. deep  
21.5 cu. in.

An LED driver is provided which would fit in our recommended ceiling light fixture box size.

For help with installation or any additional questions, you can contact us at [info@krasnogorovstudio.com](mailto:info@krasnogorovstudio.com)

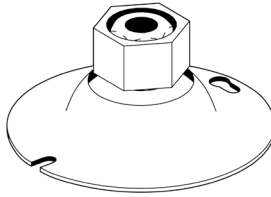
# ENCLOSED PARTS



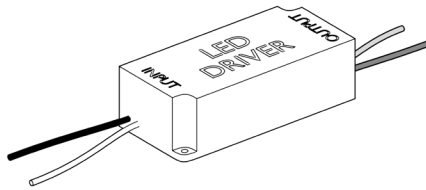
Threaded  
Pipe



Lock Nut

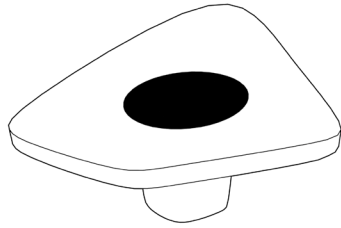


Swivel Fixture



LED Driver

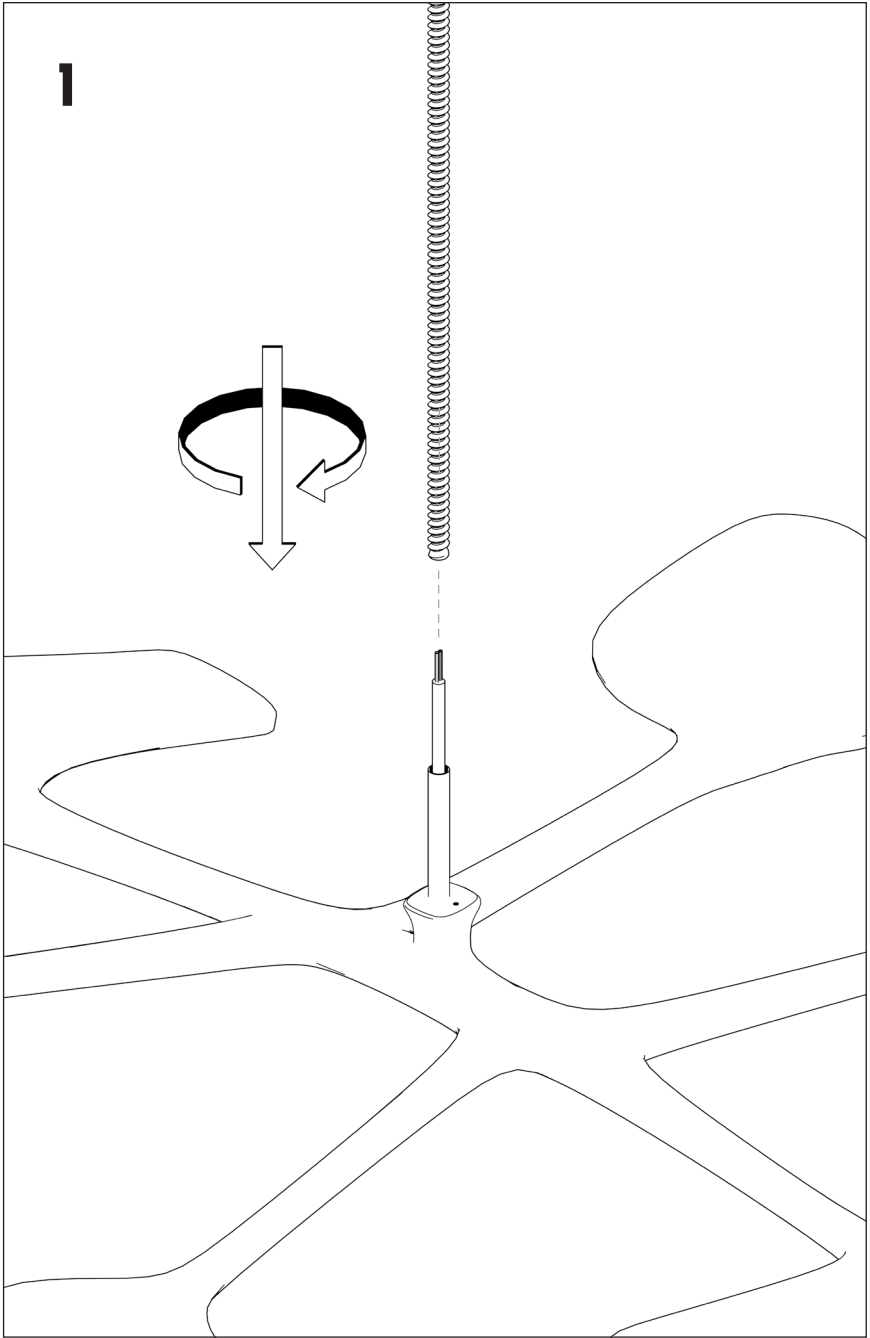
Canopy



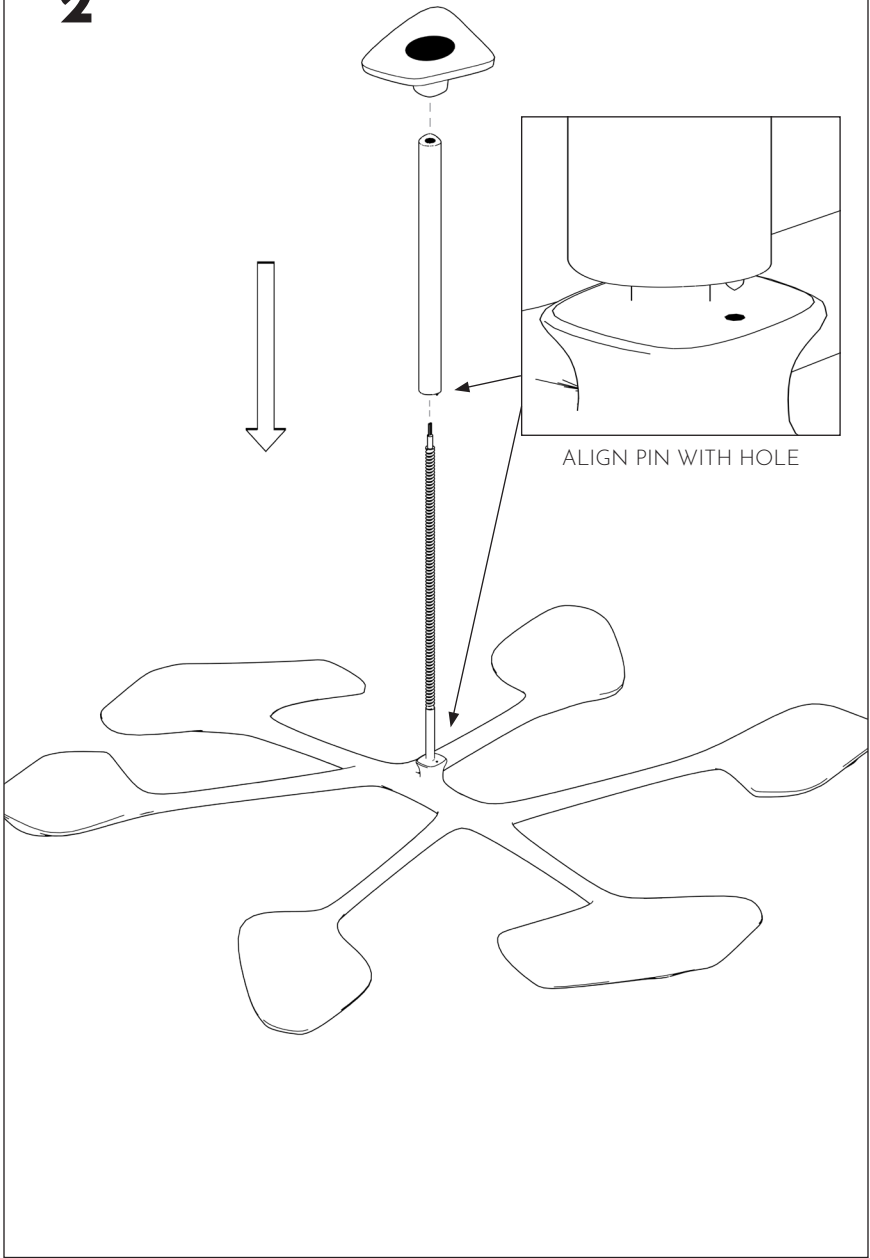
Set Screw  
preinstalled in canopy

Suspension Arm

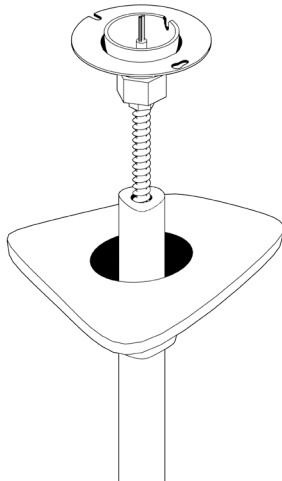
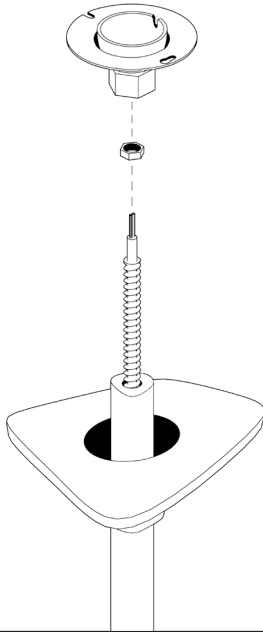
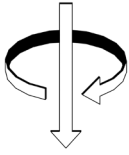




**2**

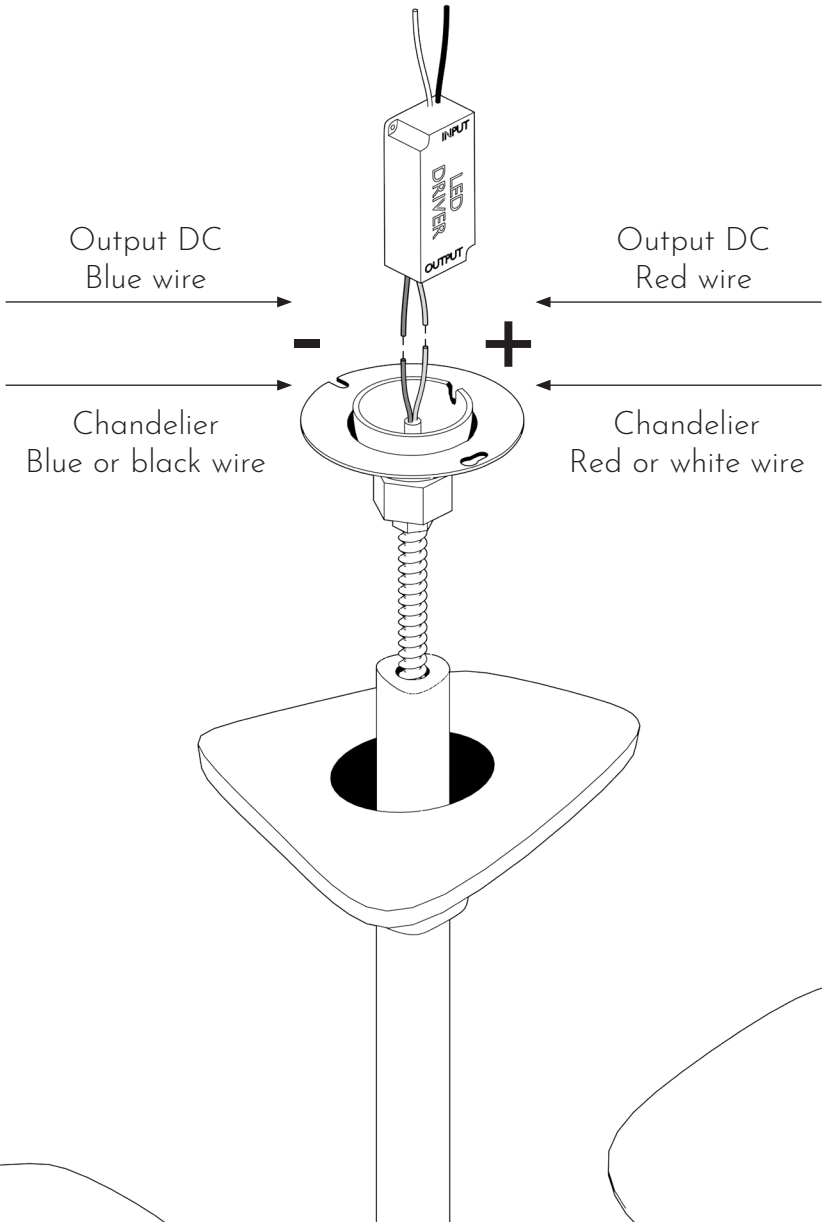


**3**

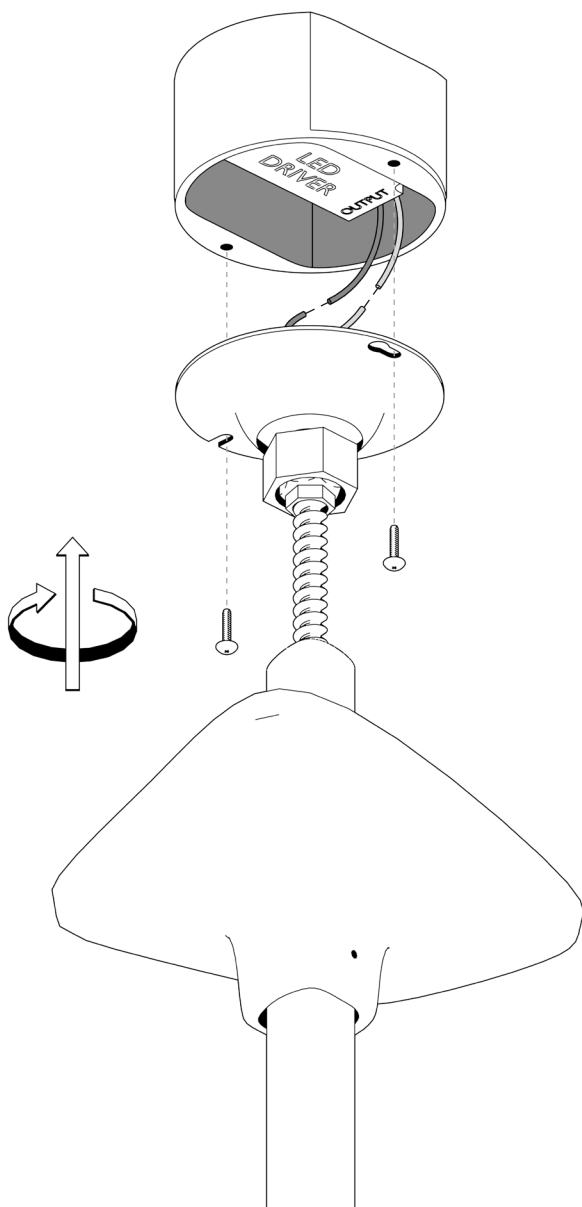


4

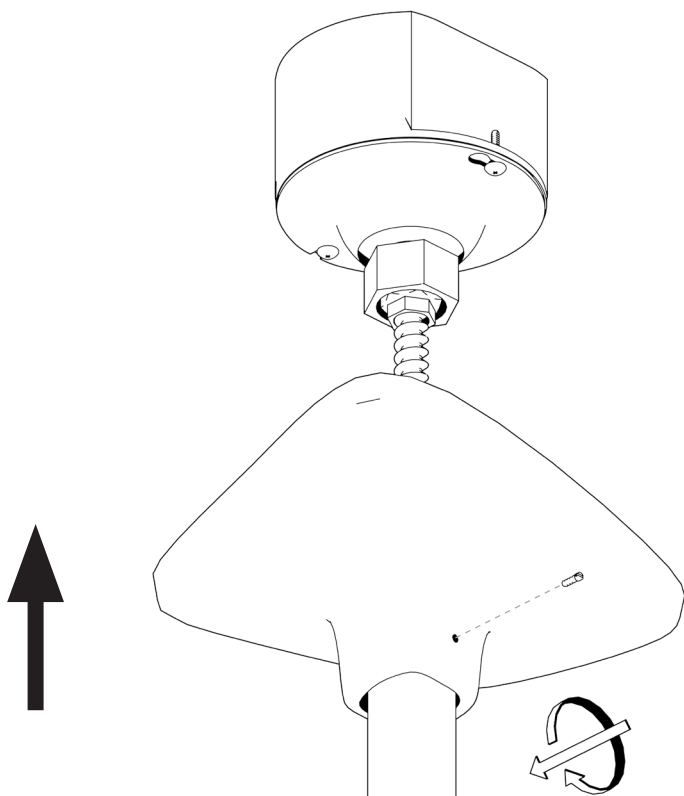
Input 110v



**5**



6



Tighten until  
canopy won't  
slide along the  
suspension arm

