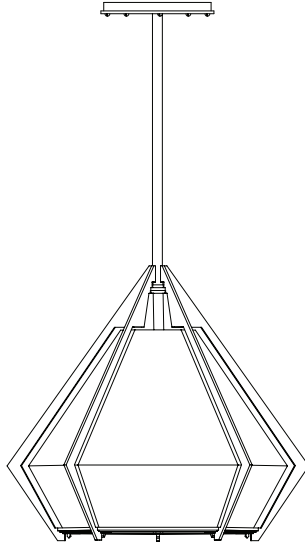




FILE#: E488971

FILE#: E503097



HARLOW

Pendant

Installation Guide

- Suspended mounted only
- Certified electrician recommended for electrical installation.
- Terminal Block not included. Installation may require advice from a qualified person.
- For all LED fixtures, use only with class 2 power unit.
- The light source contained in this luminaire shall only be replaced by the manufacturer or his service agent or a similar qualified person. Contact manufacturer for service.
- For controllable luminaires, the classification of insulation that has been maintained between LV supply and control conductors shall be provided.... basic insulation, reinforced insulation etc.
- Junction box or structural blocking rated minimum to support 50 lbs required.

*** IMPORTANT: Please provide email confirmation that your order and its related components have been received in their entirety and in good condition. Failure to do so within 7 days of delivery will waive all product warranties.**

GABRIEL SCOTT
SINCE 1911



Provided supplies

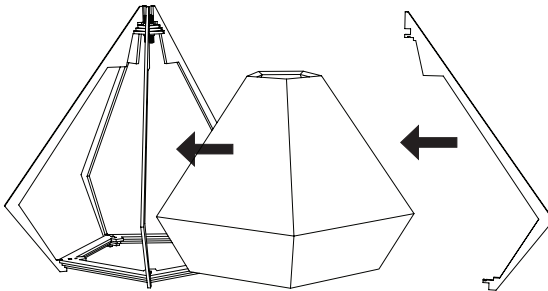
- Pendant frame
- Socket assembly
- Stem
- Hex nuts and IPS nipples
- Glass
- Universal T-bar
- Installation screws and set screws
- Allen key for set screw

Required tools and hardware

- Screwdriver
- 4x 2-pole wiring terminals, screws or screwless, 12-18AWG (1.0-2.5mm²) rated for 600V, 15A / ex: WAGO 222-412
- LED driver; input: local line voltage, output: 12Vdc SELV, 5A, Max 60 watt, Class 2 LED driver

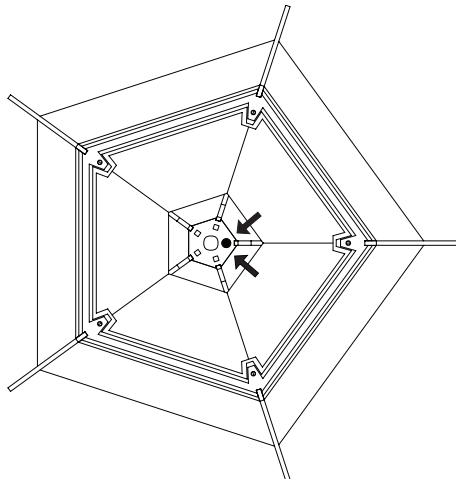
STEP 1

Unscrew and remove arm indicated with tag. Carefully slide glass into metal frame. Once in place, reinstall the removed arm.



STEP 2

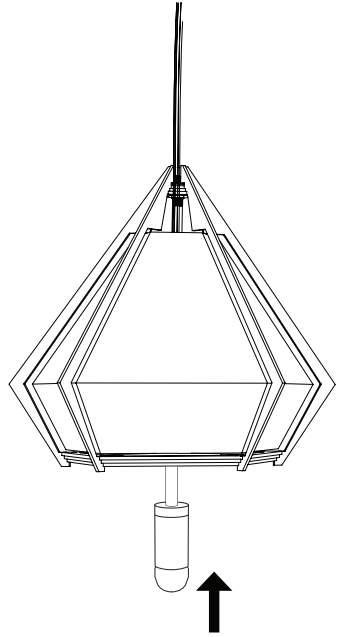
Secure the removable arm by screwing back the set screw through the underside of the fixture



**STEP
3**

From the bottom, pass the light socket (wires first) vertically through the bottom threaded nipple at the top of the Harlow metal frame. Gently screw the leading end of the rod into the exposed nipple on the Harlow metal frame.

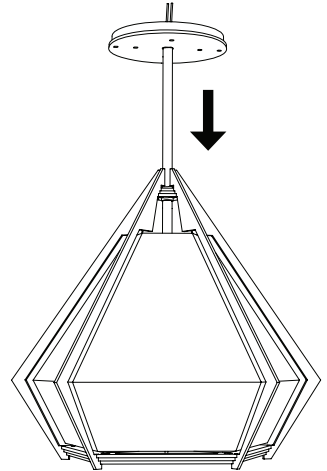
Note: Turn the wires simultaneously to prevent them from twisting and bunching.



**STEP
4**

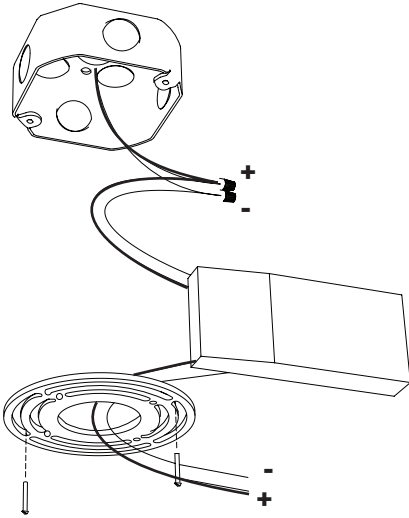
Pass the wires through the stem section with the canopy attached and screw this section onto the top threaded nipple.

Note: Hold the wires still during this part to prevent them from twisting and bunching.



STEP
5

Shut down associated electrical breaker and wire LED driver to power source using wiring terminals. Install universal canopy to junction box in ceiling.



STEP
6

Using remaining terminals, connect the fixture wiring to the LED driver. Install the primary stem assembly to the universal T-bar.

