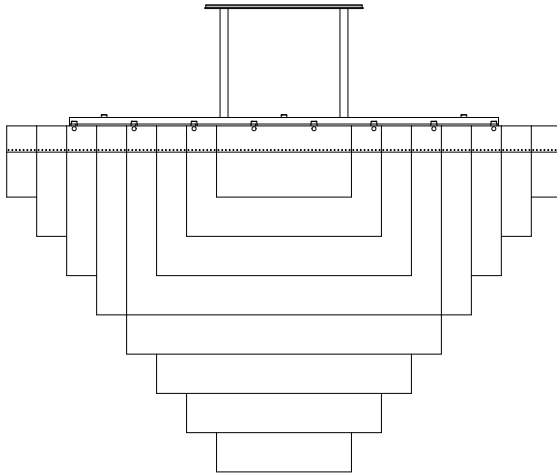




FILE#: E356487



# The **KELLY** Chandelier x-Large Installation Guide

- Certified electrician recommended for electrical installation.
- Terminal Block not included. Installation may require advice from a qualified person.
- For all LED fixtures, use only with class 2 power unit.
- Minimum of 3 people recommended for installation.
- Blocking should be capable of holding 250 lbs
- The light source contained in this luminaire shall only be replaced by the manufacturer or his service agent or a similar qualified person. Contact manufacturer for service.

**\* IMPORTANT: Please provide email confirmation that your order and its related components have been received in their entirety and in good condition. Failure to do so within 7 days of delivery will waive all product warranties.**

GABRIEL SCOTT  
2011



### Provided Supplies:

- Kelly xl Fixture
- Stem Assembly (stem + threaded rod assembly)
- Sleeve
- Canopy Assembly
- Universal T-Bar
- LED Driver
- Spare LED chip

### Required Tools:

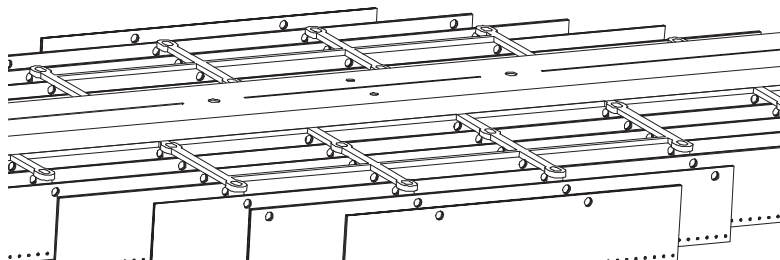
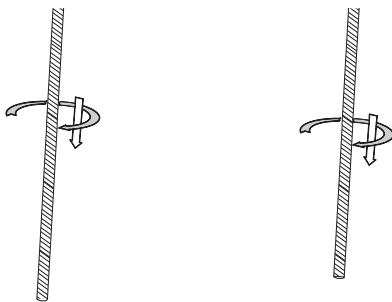
- Screwdriver
  - 4x 2-pole Wiring Terminals, screw or screwless, 12-18AWG (1.0-2.5mm<sup>2</sup>), rated for 600V, 15A - EX: WAGO 222-412-
- Requires LED driver; Input: Local Line Voltage, Output 12Vdc SELV, 5A, Max 60 Watt, Class 2 LED Driver.

## CAUTION:

Blocking should be capable of holding 250 lbs

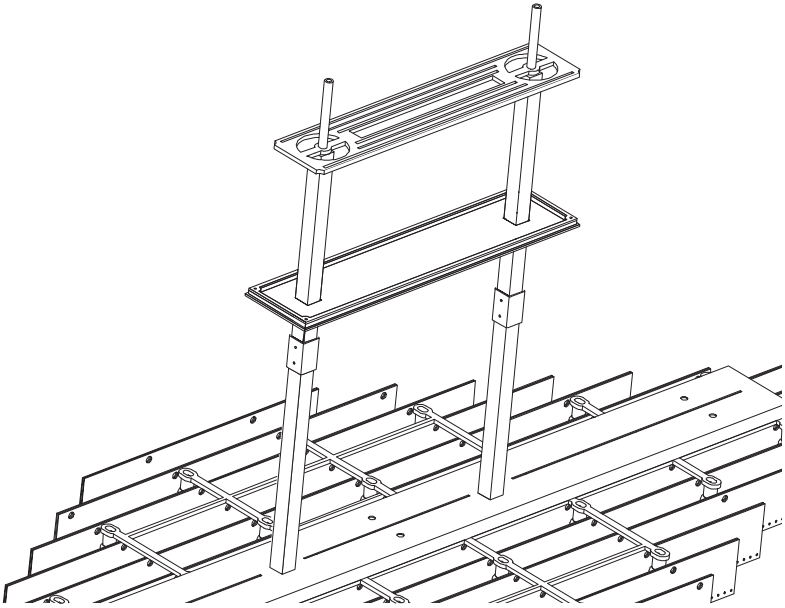
**STEP**  
**1**

Thread rods in to Kelly fixture while passing the wires through one of the threaded rods.



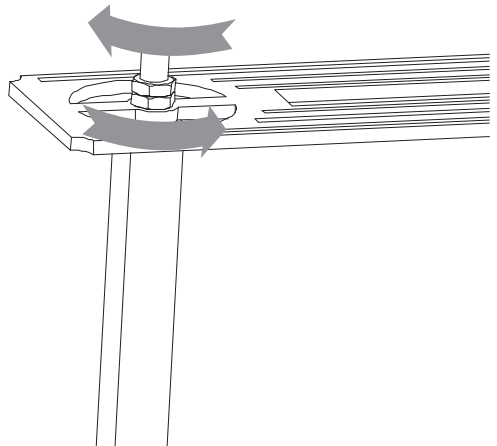
**STEP  
2**

Pass the stem, sleeve, canopy and T-bar over the threaded rods as shown below.



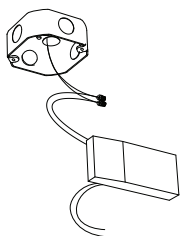
**STEP  
3**

Thread two nuts over each of the threaded rod and lock them against each other.



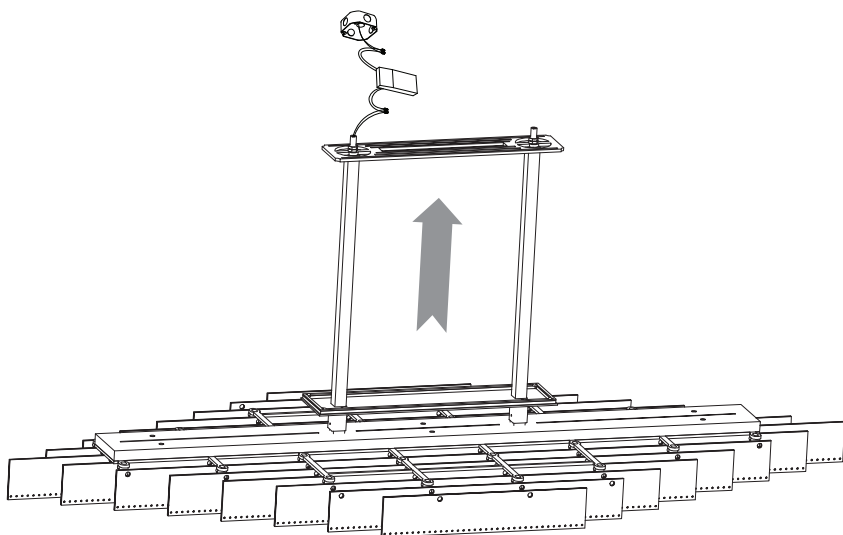
**STEP**  
**4**

Wire in the LED driver to power supply by using the terminals. Fix driver to junction box or remote location.



**STEP**  
**5**

Lift the complete Kelly xl to the ceiling and screw the T-bar in to blocking. Once secured to the ceiling, finish wiring the LED driver to the fixture by using the terminals. On Gabriel-Scott fixtures the black wire (+) is positive and the white wire (-) is neutral.



**STEP**  
**6**

Finally, raise the canopy to ceiling, and secure it in place by raising both sleeves and tightening the set-screws.

