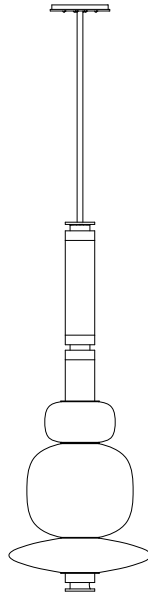




FILE#: E488971

FILE#: E503097



LUNA Pendant Installation Guide

- Suspended mount only.
- Certified electrician recommended for electrical installation.
- Minimum 2 people recommended for installation.
- Terminal Block not included. Installation may require advice from a qualified person.
- Junction box rated for minimum of 50lbs or structural blocking required to support fixture.
- Structural blocking required at monopoint locations, adequate drywall plugs may be substituted.
- For all LED fixtures, use only with class 2 power unit.
- The light source contained in this luminaire shall only be replaced by the manufacturer or his service agent or a similar qualified person. Contact manufacturer for service.
- For controllable luminaires, the classification of insulation that has been maintained between LV supply and control conductors shall be provided.... basic insulation, reinforced insulation etc.

*** IMPORTANT: Please provide email confirmation that your order and its related components have been received in their entirety and in good condition. Failure to do so within 7 days of delivery will waive all product warranties.**

GABRIEL SCOTT
LIGHTING



Provided supplies

- Luna Pendant fixture
- Hanging template
- Male monopoints
- Universal T-bar
- Installation screws

Required tools and hardware

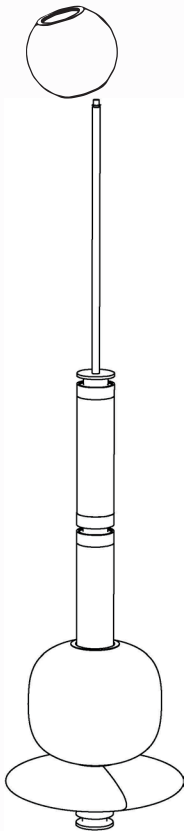
- Screwdriver
- Drywall anchors suitable for 25lbs for mono points
- 4x 2-pole wiring terminals, screws or screwless, 12-18AWG (1.0-2.5mm²) rated for 600V, 15A / ex: WAGO 222-412
- LED driver; Input: local line voltage, output 24Vdc SELV, 5A, max 60 watt class 2 LED driver

STEP 1

If the fixture is provided with stems to assemble, put together the stems using the provided self locking nipples (1/8IPS) and leave to set for 24 hours. Do not unscrew the stems once assembled. This curing step can be done while the chandelier is installed.

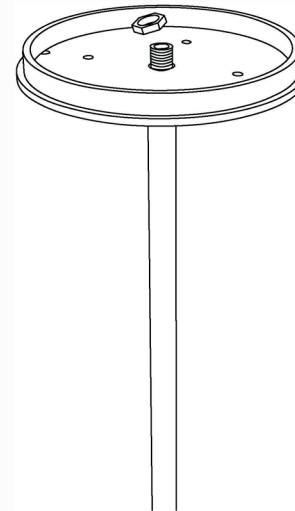
STEP 2

Carefully slide the glass beads over the Luna tubes.



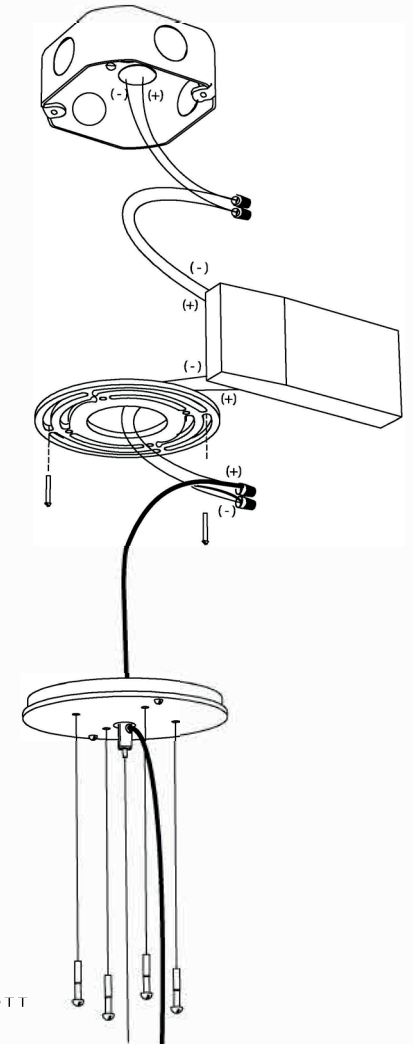
STEP 3

Place the canopy over the threaded nipple and secure it in place with the provided nut.



STEP 4

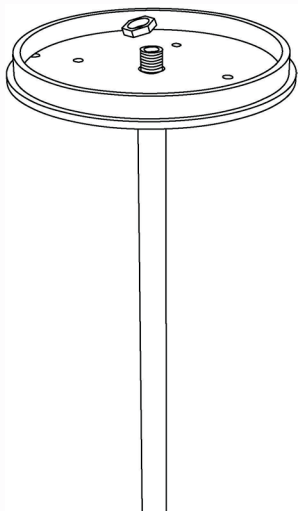
Using wire terminals, connect the LED driver to the Luna Fixture (Maximum distance 100', use 12-18AWG (1.0-2.5mm²)). On Gabriel Scott fixtures, the black wire (+) is positive, and the white wire is the negative (-). Next, again using wire terminals, connect the LED driver to the power supply. Finally, attach the universal T-bar and screw the canopy with the provided screws.



GABRIEL SCOTT
THE LIGHT

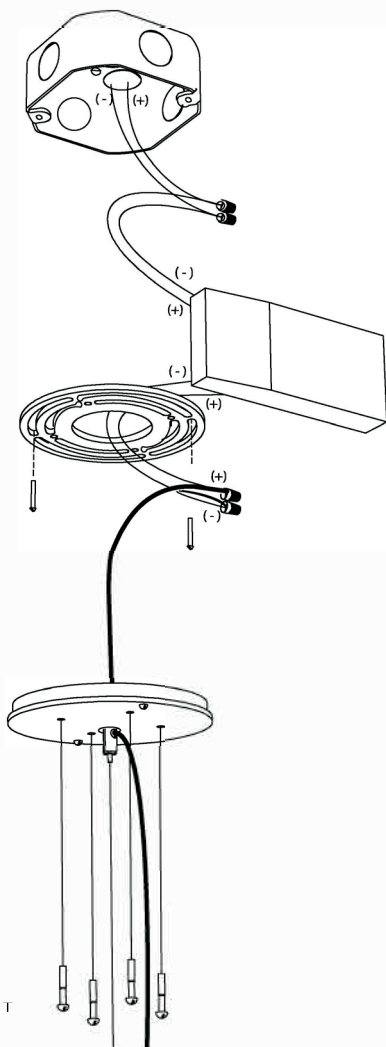
**STEP
3**

Place the canopy over the threaded nipple and secure it in place with the provided nut.



**STEP
4**

Using wire terminals, connect the LED driver to the Luna Fixture (Maximum distance 100', use 12-18AWG (1.0-2.5mm)). On Gabriel Scott fixtures, the black wire (+) is positive, and the white wire is the negative (-). Next, again using wire terminals, connect the LED driver to the power supply. Finally, attach the universal T-bar and screw the canopy with the provided screws.



Provided supplies

- Luna Pendant fixture
- Hanging template
- Male monopoints
- Universal T-bar
- Installation screws

Required tools and hardware

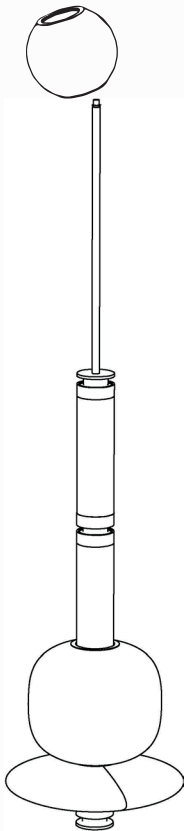
- Screwdriver
- Drywall anchors suitable for 25lbs for mono points
- 4x 2-pole wiring terminals, screws or screwless, 12-18AWG (1.0-2.5mm²) rated for 600V, 15A / ex: WAGO 222-412
- LED driver; Input: local line voltage, output 24Vdc SELV, 5A, max 60 watt class 2 LED driver

STEP 1

If the fixture is provided with stems to assemble, put together the stems using the provided self locking nipples (1/8IPS) and leave to set for 24 hours. Do not unscrew the stems once assembled. This curing step can be done while the chandelier is installed.

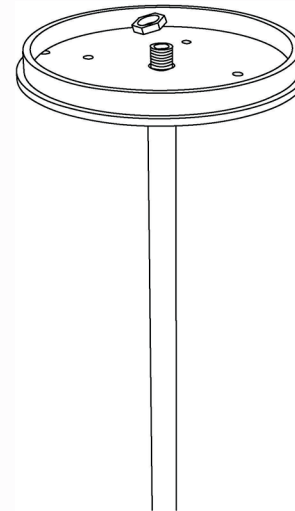
STEP 2

Carefully slide the glass beads over the Luna tubes.



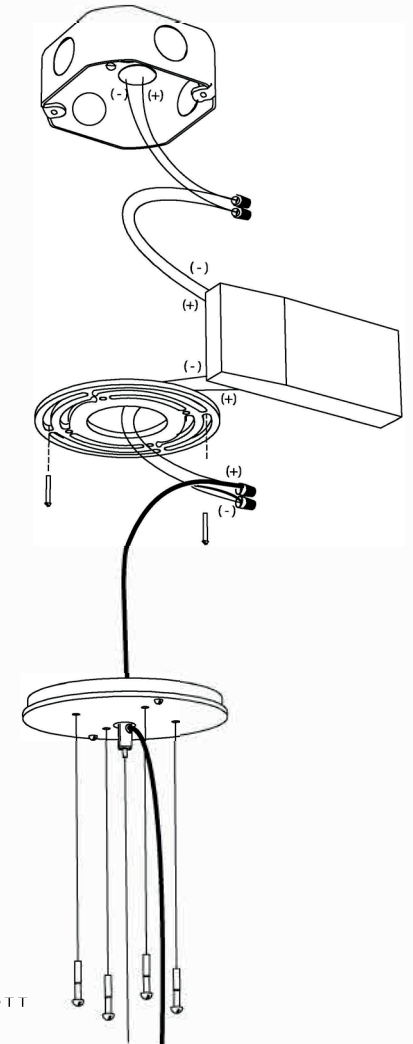
STEP 3

Place the canopy over the threaded nipple and secure it in place with the provided nut.



STEP 4

Using wire terminals, connect the LED driver to the Luna Fixture (Maximum distance 100', use 12-18AWG (1.0-2.5mm²)). On Gabriel Scott fixtures, the black wire (+) is positive, and the white wire is the negative (-). Next, again using wire terminals, connect the LED driver to the power supply. Finally, attach the universal T-bar and screw the canopy with the provided screws.



GABRIEL SCOTT
THE LIGHT