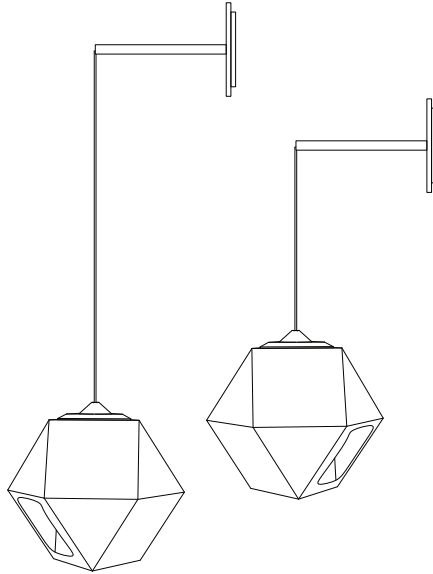




FILE#: E356487



The **WELLES** DOUBLE BLOWN GLASS HANGING SCONCE

Installation Guide

- Certified electrician recommended for electrical installation.
- Terminal Block not included. Installation may require advice from a qualified person.
- Junction box or structural blocking rated minimum to support 25 lbs required.
- For all LED fixtures, use only with class 2 power unit.
- The light source contained in this luminaire shall only be replaced by the manufacturer or his service agent or a similar qualified person.

***IMPORTANT: Please provide email confirmation that your order and its related components have been received in their entirety and in good condition. Failure to do so within 7 days of delivery will waive all product warranties.**

GABRIEL SCOTT
INC. 2011



Provided Supplies

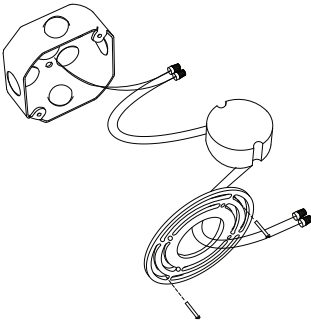
- Socket Assembly
- Canopy + Screws
- T-Bar
- Welles Double Blown glass volume
- LED Driver
- Spare LED chip

Required Tools:

- Screwdriver
- 4x 2-pole Wiring Terminals, screw or screwless, 12-18AWG (1.0-2.5mm²), rated for 600V, 15A - EX: WAGO 222-412
- Requires LED driver; Input: Local Line Voltage, Output 12Vdc SELV, 5A, Max 60 Watt, Class 2 LED Driver.

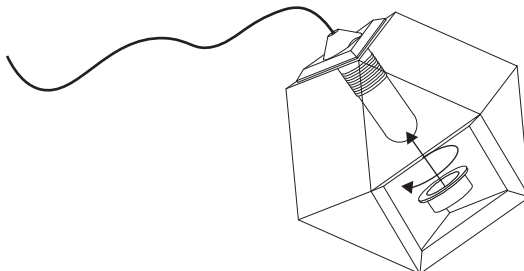
STEP
1

Shut-down associated electrical breaker and wire LED driver to power source. Then secure driver in junction box using provided universal T-bar.



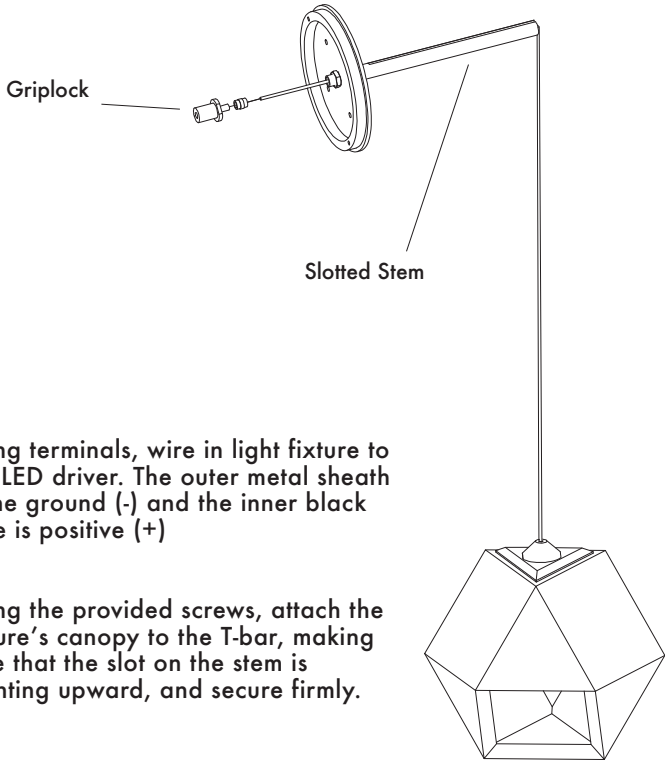
STEP
2

Gently slide the light assembly in to the Welles Double Blown glass volume and lock it in place with the provided glass retaining ring.



STEP
3

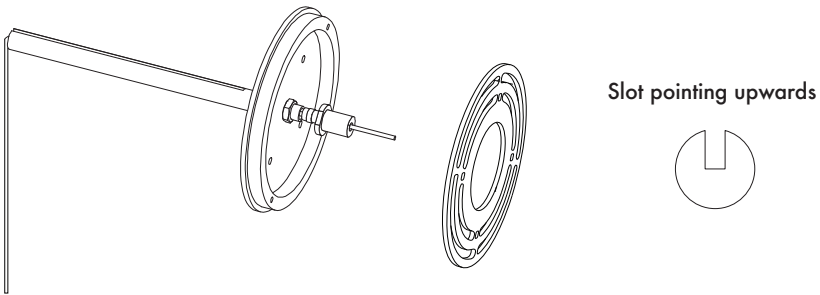
Pass the wire through the canopy making sure to wrest the cable and set the wires in the slotted stem. Then, adjust the Griplock so that the wire is the desired length. See next page for Griplock installation guide.



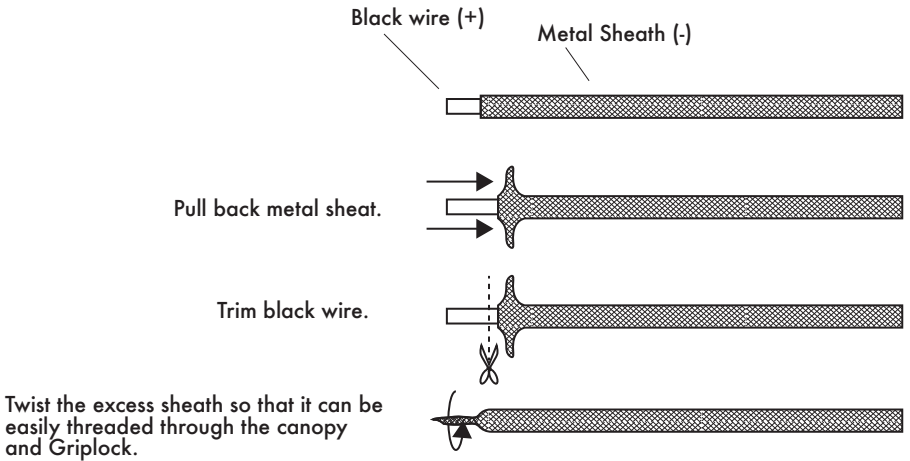
STEP
4

Using terminals, wire in light fixture to the LED driver. The outer metal sheath is the ground (-) and the inner black wire is positive (+)

Using the provided screws, attach the fixture's canopy to the T-bar, making sure that the slot on the stem is pointing upward, and secure firmly.



Griplock installation guide:



Set Griplock to desired drop and tighten the safety nut.

Note: The Griplock does not get fixed to anything. It simply acts as a stop by butting up against the canopy to prevent the cable from moving.

