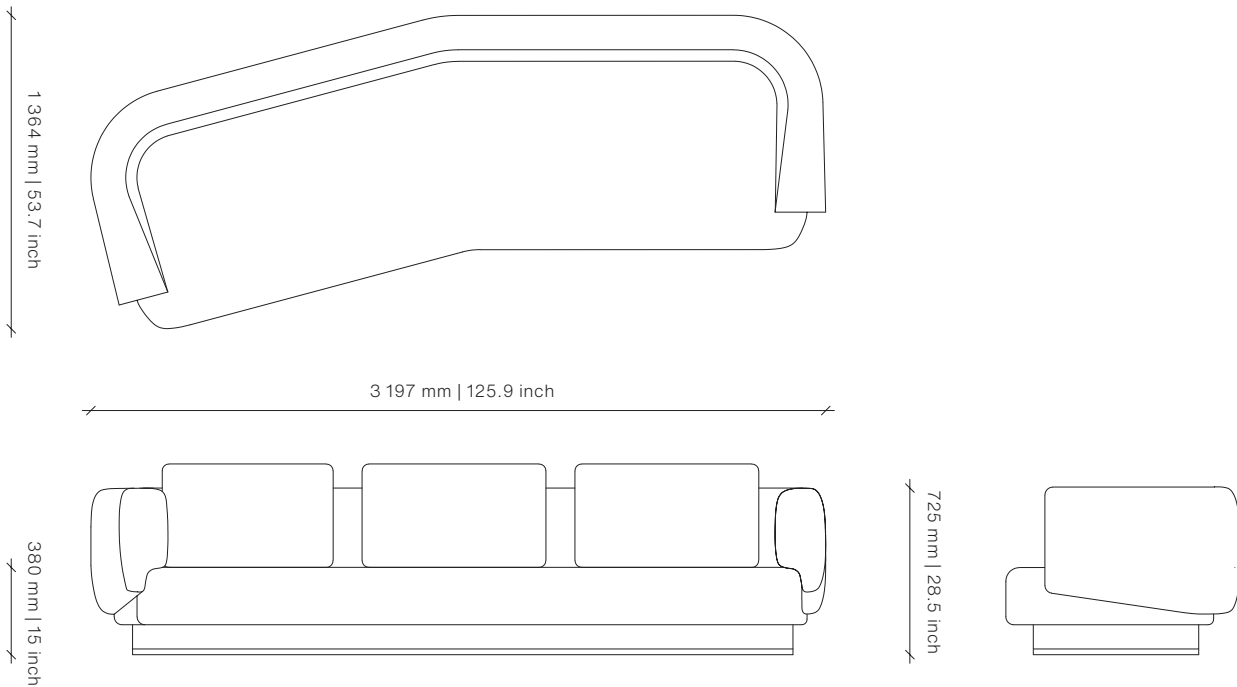


# CAPE 15 Sofa

DESIGN BY OKHA



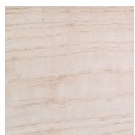
Image shows Dark Java Ash and Ambrosia Parchement Z706/01



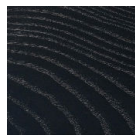
## Plinth



Natural Ash



Chalked Ash



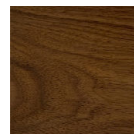
Carbon Ash



Dark Java Ash



Mocca Ash



Natural Walnut

## Dimensions (mm)

3197W x 1364D x 725H  
Seat Height: 380

## Dimensions (inches)

125.9W x 53.7D x 28.5H  
Seat Height: 15

**COM** 26m | 28.4yd

Different textures, grains, colouration and densities are all natural characteristics of timbers. We find these variances an inherent and valuable part of the natural beauty of wood, no two pieces are the same making each OKHA design a unique, characterful piece and each product will be different from the next. Timber movement will also occur as this is a natural product.

STONE: Marble is a beautiful natural material with inherent imperfections in its structure, veining and coloration. As such, some slabs may be reinforced with meshing on the underside and may have colour matched resin fills in minor cracks and surface blemishes. Please note that this is standard practice.

METAL: All metals will go through a process of natural aging and oxidization due to environmental conditions. The result of this aging process will bring about colour change, to slow and reduce this natural process, appropriate cleaning and maintenance products can be used.

twentieth  
sales@twentieth.net  
323.904.1200  
www.twentieth.net

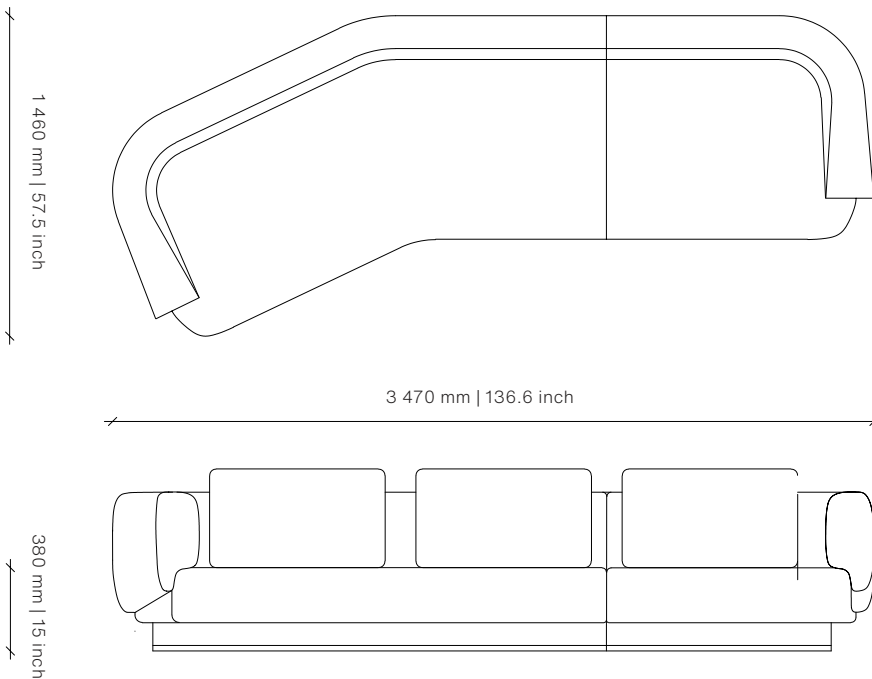
**OKHA**

# CAPE 25 Sofa

DESIGN BY OKHA



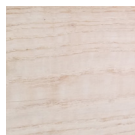
Image shows Dark Java Ash and Ambrosia Parchement  
Z706/01



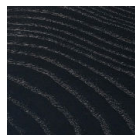
## Plinth



Natural Ash



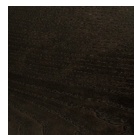
Chalked Ash



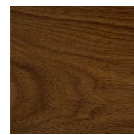
Carbon Ash



Dark Java Ash



Mocca Ash



Natural Walnut

## Dimensions (mm)

3470W x 1460D x 725H  
Seat Height: 380

## Dimensions (inches)

136.6W x 57.5D x 28.5H  
Seat Height: 15

**COM** 26m | 28.4yd

Different textures, grains, colouration and densities are all natural characteristics of timbers. We find these variances an inherent and valuable part of the natural beauty of wood, no two pieces are the same making each OKHA design a unique, characterful piece and each product will be different from the next. Timber movement will also occur as this is a natural product.

STONE: Marble is a beautiful natural material with inherent imperfections in its structure, veining and coloration. As such, some slabs may be reinforced with meshing on the underside and may have colour matched resin fills in minor cracks and surface blemishes. Please note that this is standard practice.

METAL: All metals will go through a process of natural aging and oxidization due to environmental conditions. The result of this aging process will bring about colour change, to slow and reduce this natural process, appropriate cleaning and maintenance products can be used.

twentieth  
sales@twentieth.net  
323.904.1200  
www.twentieth.net

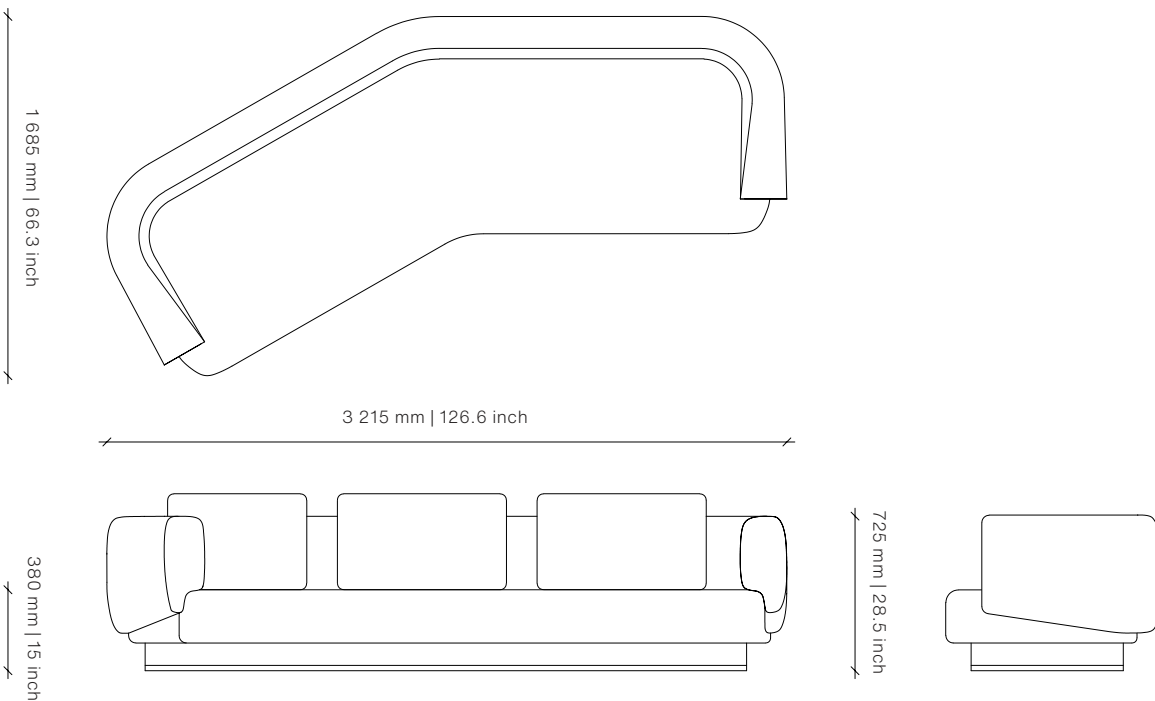
**OKHA**

# CAPE 30 Sofa

DESIGN BY OKHA



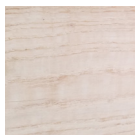
Image shows Dark Java Ash and Ambrosia Parchement  
Z706/01



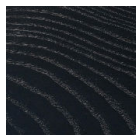
## Plinth



Natural Ash



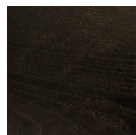
Chalked Ash



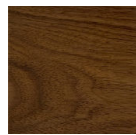
Carbon Ash



Dark Java Ash



Mocca Ash



Natural Walnut

## Dimensions (mm)

3215W x 1685D x 725H  
Seat Height: 380

## Dimensions (inches)

126.6W x 66.3D x 28.5H  
Seat Height: 15

**COM** 26m | 28.4yd

Different textures, grains, colouration and densities are all natural characteristics of timbers. We find these variances an inherent and valuable part of the natural beauty of wood, no two pieces are the same making each OKHA design a unique, characterful piece and each product will be different from the next. Timber movement will also occur as this is a natural product.  
STONE: Marble is a beautiful natural material with inherent imperfections in its structure, veining and coloration. As such, some slabs may be reinforced with meshing on the underside and may have colour matched resin fills in minor cracks and surface blemishes. Please note that this is standard practice.  
METAL: All metals will go through a process of natural aging and oxidization due to environmental conditions. The result of this aging process will bring about colour change, to slow and reduce this natural process, appropriate cleaning and maintenance products can be used.

twentieth  
sales@twentieth.net  
323.904.1200  
www.twentieth.net

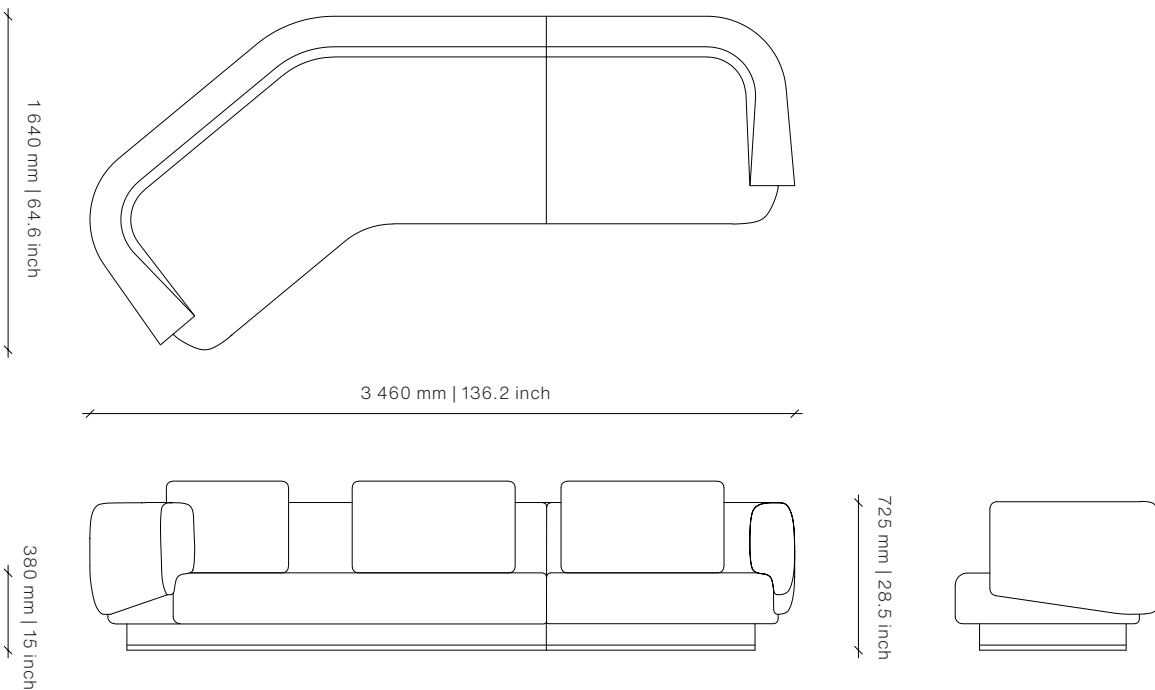
**OKHA**

# CAPE 40 Sofa

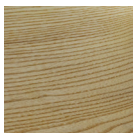
DESIGN BY OKHA



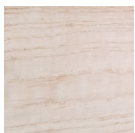
Image shows Dark Java Ash and Ambrosia Parchement  
Z706/01



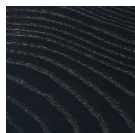
## Plinth



Natural Ash



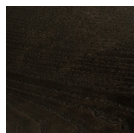
Chalked Ash



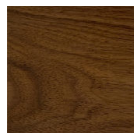
Carbon Ash



Dark Java Ash



Mocca Ash



Natural Walnut

## Dimensions (mm)

3460W x 1640D x 725H  
Seat Height: 380

## Dimensions (inches)

136.2W x 64.6D x 28.5H  
Seat Height: 15

**COM** 26m | 28.4yd

Different textures, grains, colouration and densities are all natural characteristics of timbers. We find these variances an inherent and valuable part of the natural beauty of wood, no two pieces are the same making each OKHA design a unique, characterful piece and each product will be different from the next. Timber movement will also occur as this is a natural product.  
STONE: Marble is a beautiful natural material with inherent imperfections in its structure, veining and coloration. As such, some slabs may be reinforced with meshing on the underside and may have colour matched resin fills in minor cracks and surface blemishes. Please note that this is standard practice.  
METAL: All metals will go through a process of natural aging and oxidization due to environmental conditions. The result of this aging process will bring about colour change, to slow and reduce this natural process, appropriate cleaning and maintenance products can be used.

twentieth  
sales@twentieth.net  
323.904.1200  
www.twentieth.net

# OKHA