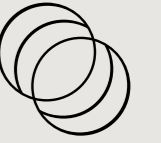


CATALOGUE / NOON

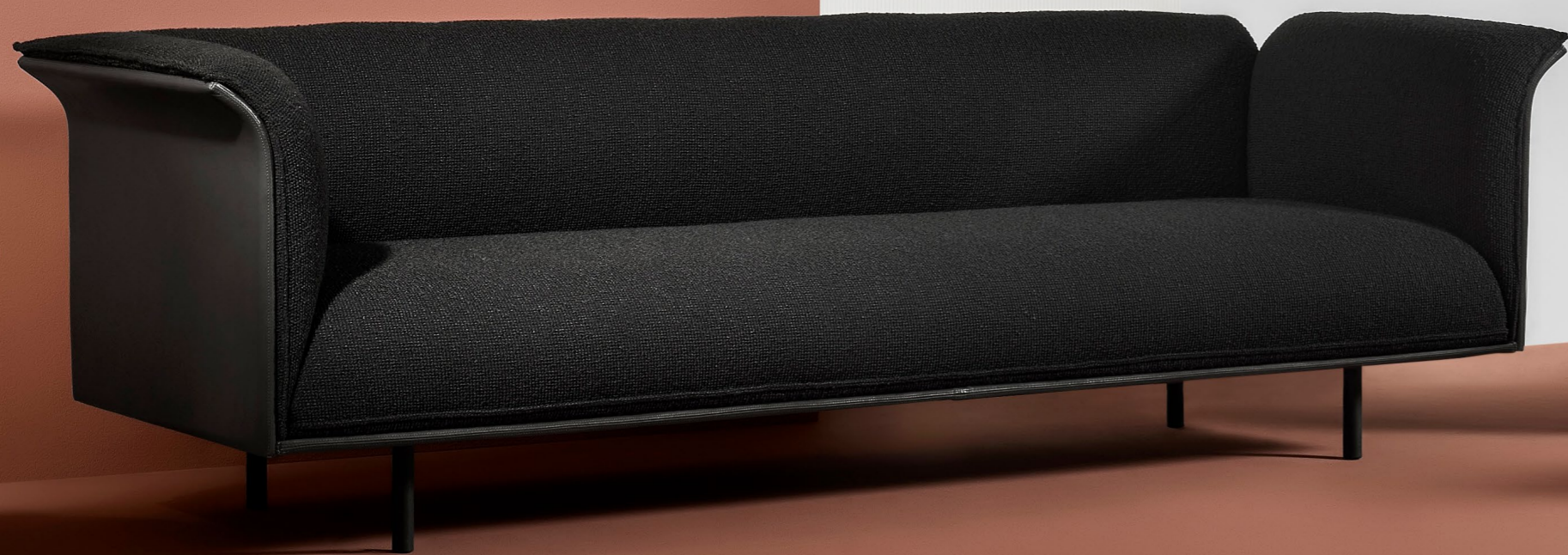
ROSS GARDAM



Noon is a modular collection of upholstered products which softly arc at the edges.

Noon's arm allows the cushion to flow over the arc, creating an extra level of comfort and softness to the product.

Tension is created in the product between the stitching detail on the inner and outer surface which run in parallel, framing and outlining the design. The collection is designed specifically for residential spaces with a commercial cross over.



Noon Lounge softly arcs, evoking a relaxed harmony.



01 DETAILS

Noon's arms and backrest are made up of a curved inner and outer section, giving flexibility to upholster in matching or contrasting fabrics and leathers. The inner component is cushioned to create a soft support for the arm and back.



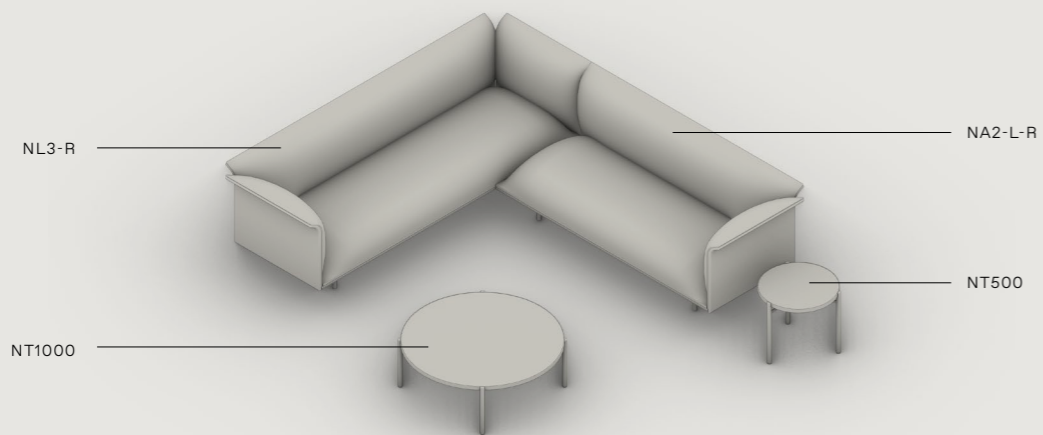


02 DETAILS

The legs of Noon are available in black or custom powder coat. In addition to this, they can be upholstered to match the body of the lounge.

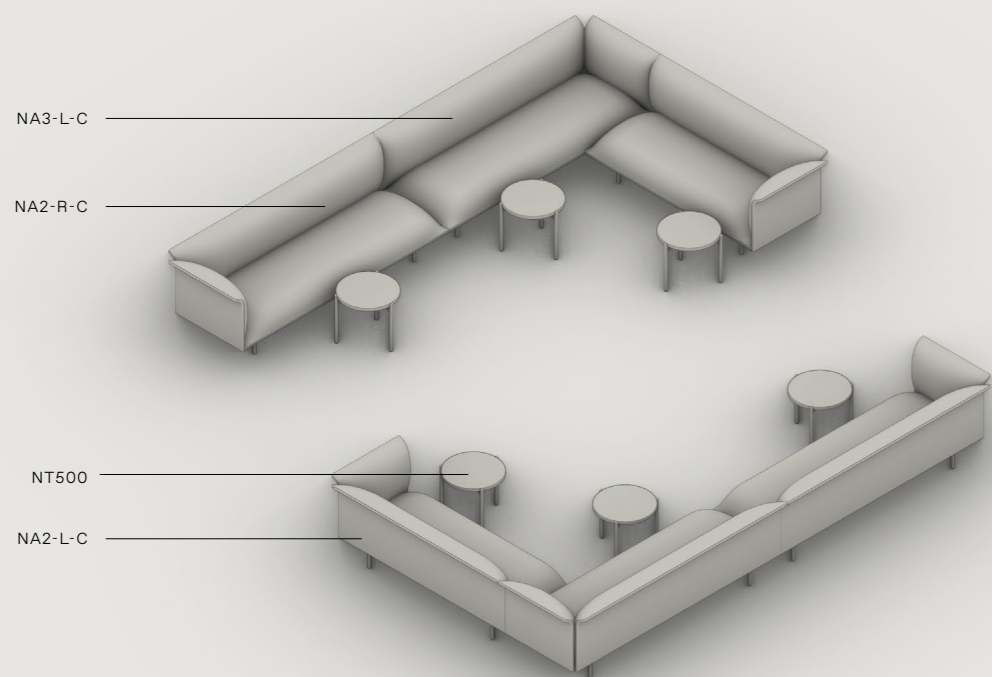


EXAMPLE CONFIGURATIONS ⁰¹



01 / CONFIGURATION

CREATE A CASUAL 'L SHAPED' SETTING BY CONNECTING A LOUNGE AND SINGLE ARM MODULE

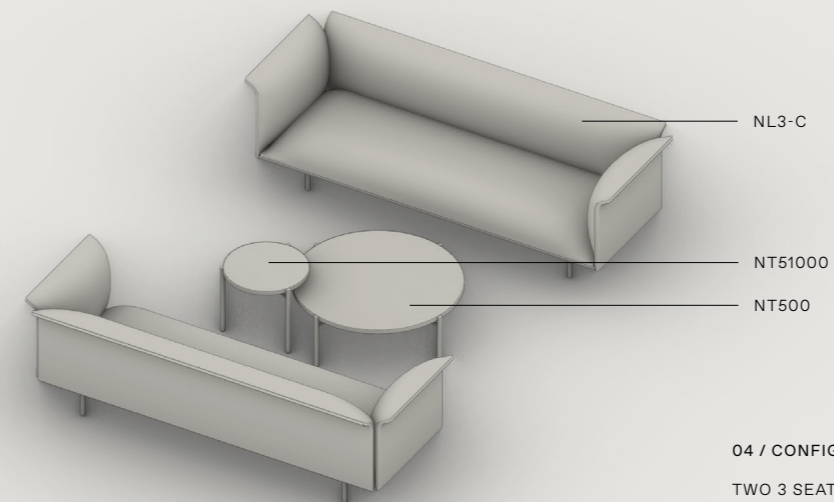
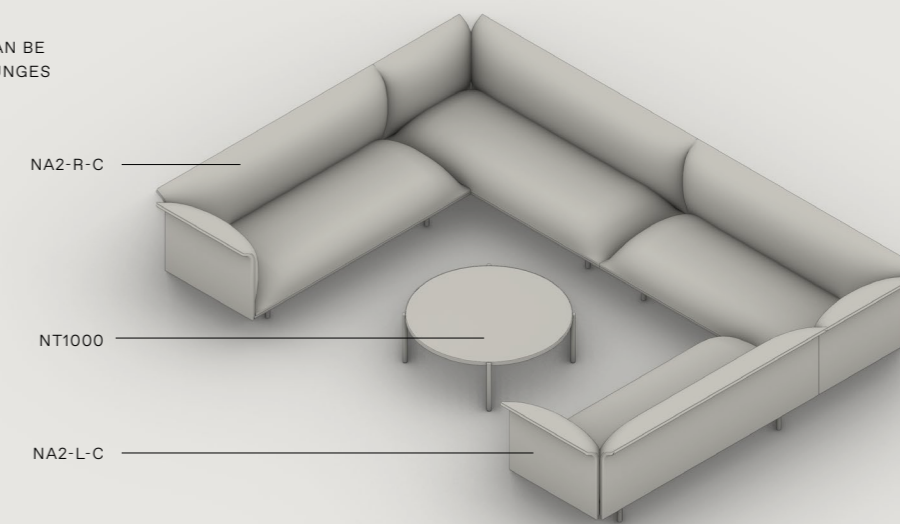


02 / CONFIGURATION

A BREAKOUT AREA CAN BE CREATED USING SEVERAL SINGLE ARM LOUNGES GIVING SPACE FOR PUBLIC OR PRIVATE DISCUSSIONS

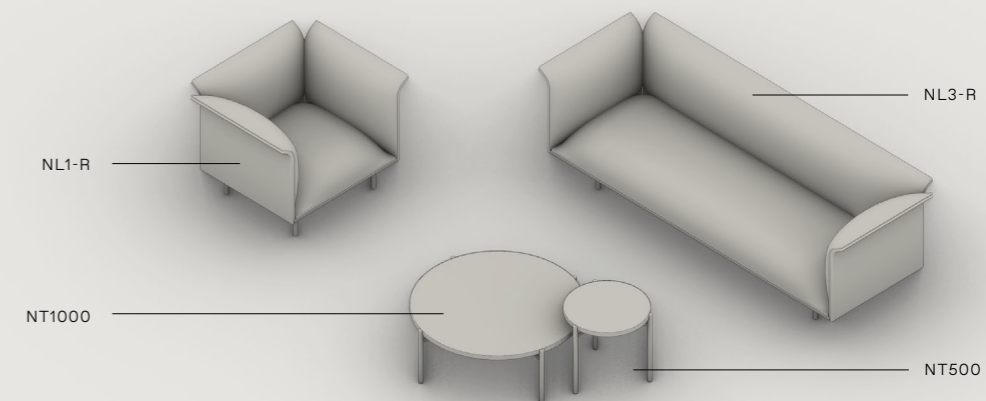
03 / CONFIGURATION

AN OPEN SPACE FOR CASUAL MEETINGS CAN BE CREATED USING SEVERAL SINGLE ARM LOUNGES CONNECTED TO FORM A 'U SHAPE'



04 / CONFIGURATION

TWO 3 SEATER LOUNGES PLACED OPPOSITE EACH OTHER FOR INFORMAL DISCUSSION

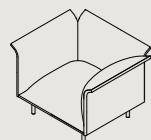


05 / CONFIGURATION

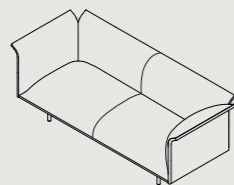
CREATE A CASUAL SETTING USING AN ARMCHAIR, 3 SEATER LOUNGE AND NESTED SIDE AND COFFEE TABLES

SPECIFICATIONS ⁰²

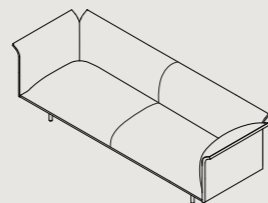
LOUNGE



NL1 - R/C
W 1010 D 840 H 725 S 410 / H 765 S 450
W 39.8" D 33.1" H 28.5" S 16.1" / H30.1" S 17.7"

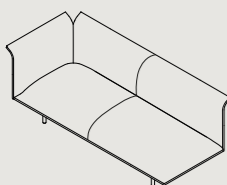


NL2 - R/C
W 2040 D 840 H 725 S 410 / H 765 S 450
W 80.3" D 33.1" H 28.5" S 16.1" / H30.1" S 17.7"

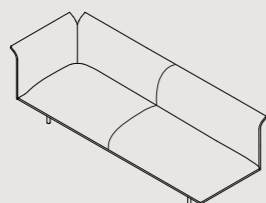


NL3 - R/C
W 2440 D 840 H 725 S 410 / H 765 S 450
W 96.1" D 33.1" H 28.5" S 16.1" / H30.1" S 17.7"

SINGLE ARM LOUNGE



NA2 - R/L* - R/C
W 1920 D 840 H 725 S 410 / H 765 S 450
W 75.6" D 33.1" H 28.5" S 16.1" / H30.1" S 17.7"

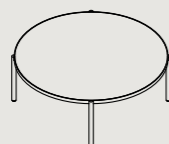


NA3 - R/L* - R/C
W 2320 D 840 H 725 S 410 / H 765 S 450
W 91.3" D 33.1" H 28.5" S 16.1" / H30.1" S 17.7"

TABLE



NT500
Ø500 H 450
Ø19.7" H 17.7"



NT1000
Ø1000 H 350
Ø39.4" H 13.8"

*R or L refers to Right or Left arm location. Arm location is defined while sitting on lounge.
Dimensions shown are indicative. For projects requiring specific dimensions, please get in contact.

TECHNICAL ⁰³

AVAILABLE FINISHES

LOUNGE



CUSTOM UPHOLSTERY

LOUNGE / LEGS



BLACK POWDER COAT

LEGS



CUSTOM LEATHER

LOUNGE / LEGS



CUSTOM POWDER COAT

LEGS

COFFEE & SIDE TABLE



BLACK LAMINATE

TOP



CARRARA MARBLE

TOP



WHITE LAMINATE

TOP



CALACATTA MARBLE

TOP



BLACK MIRROR

TOP



BLACK POWDER COAT

FRAME



BRONZE MIRROR

TOP



WHITE POWDER COAT

FRAME



OAK VENEER

TOP



CUSTOM POWDER COAT

FRAME



WALNUT VENEER

TOP



BLACK STAINED VENEER

TOP

MATERIALS & POWER

LOUNGE

INTERNAL FRAME / The internal frame is constructed from plywood, kiln dried hardwood and steelwork. The seat utilises webbing for support, creating a high level of comfort and ensuring long-term endurance.

BACK & ARM / The back and arms are constructed from plywood, polyurethane foam and polyester batting.

SEAT CUSHION AND UPHOLSTERY / Formed from shaped polyurethane foam of different densities and polyethylene terephthalate to create a supportive yet comfortable seat. Overlaid with polyester batting for additional comfort. Upholstery and leathers are available in a range of varying textures, durability and tactility properties. Upholstery is selected at the time of ordering.

COFFEE & SIDE TABLE

TABLE TOP / Available in a range of different finish options including: laminate, mirror, veneer and marble.

TABLE BASE / Constructed from tubular powder coated steel and powder coated sheet.

ENVIRONMENTAL

Noon Lounges and Tables are made in Melbourne and fully GECA certified - FFG-200026. Under GECA, products are certified against environmental performance criteria across its life cycle to ensure they deliver better environmental outcomes.



ROSS GARDAM

PHOTOGRAPHY BY HAYDN CATTACH - HAYDNCATTACH.COM

COLOUR AND SWATCHES SHOWN IN THIS DOCUMENT ARE FOR REFERENCE ONLY AND MAY DIFFER IN ACTUALITY.
COPYRIGHT ©2025 ROSS GARDAM PTY LTD. ALL CONCEPTS, PHOTOGRAPHY AND IDEAS CONTAINED WITHIN THIS DOCUMENT
ARE PRIVATE AND CONFIDENTIAL. THEY MUST NOT BE REPRODUCED IN ANY WAY OR FORM AND REMAIN THE INTELLECTUAL
PROPERTY OF ROSS GARDAM. ALL PRODUCTS ARE REGISTERED DESIGNS WITH IP AUSTRALIA.

SALES@TWENTIETH.NET