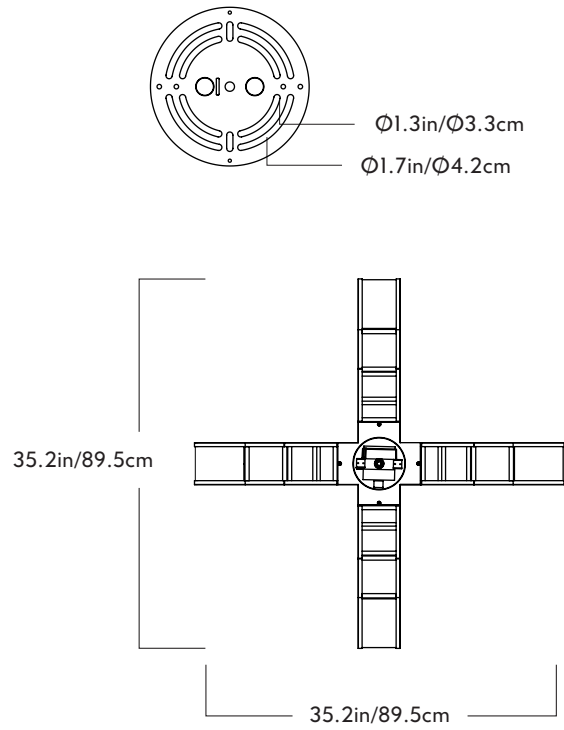


Mounting Dimensions



## Moonrise

Series  
Moonrise

Product  
Chandelier 02

Dimensions  
L 35.1in/89.3cm x W 35.1in/89.3cm x  
H 25.3in/64.3cm

Weight  
30lb/13.6kg

Materials  
Acrylic, Steel, Aluminum

## Chandelier 02

Finishes/Colors  
Brushed Brass, Black

Suspension  
0.5-inch thick/35-inch long steel stem  
in matching metal finish.  
35-inch length included with lamp.  
72-inch length available  
for additional cost. Stem length can  
be adjusted on site.

Canopy  
5-inch round in matching metal finish

Ceiling Slope  
0° mounting slope.  
Up to 90° variable hang-straight  
available upon request.

Driver Location  
Driver located in canopy

Certifications  
UL, cUL (120V)  
CE (240V)

### 120/277V Illumination

Integrated LED  
Wattage: 50 Watts  
Lumens: 3,750 Lumens est.  
Color Temperature: 2700K, CRI 90+  
LED Lifetime: 50,000 Hours est.  
Dimming: 120V - TRIAC, ELV, 0-10V  
277V - 0-10V only

### 240V Illumination

Integrated LED  
Wattage: 50 Watts  
Lumens: 3,750 Lumens est.  
Color Temperature: 2700K, CRI 90+  
LED Lifetime: 50,000 Hours est.  
Dimming: 0-10V  
(DALI dimming available upon request)

### Fixture Mounting

Designed to be mounted on standard  
4in. Electrical Box.  
Two #8-32 screws included.  
Additional mounting hardware provided  
for 240V versions.