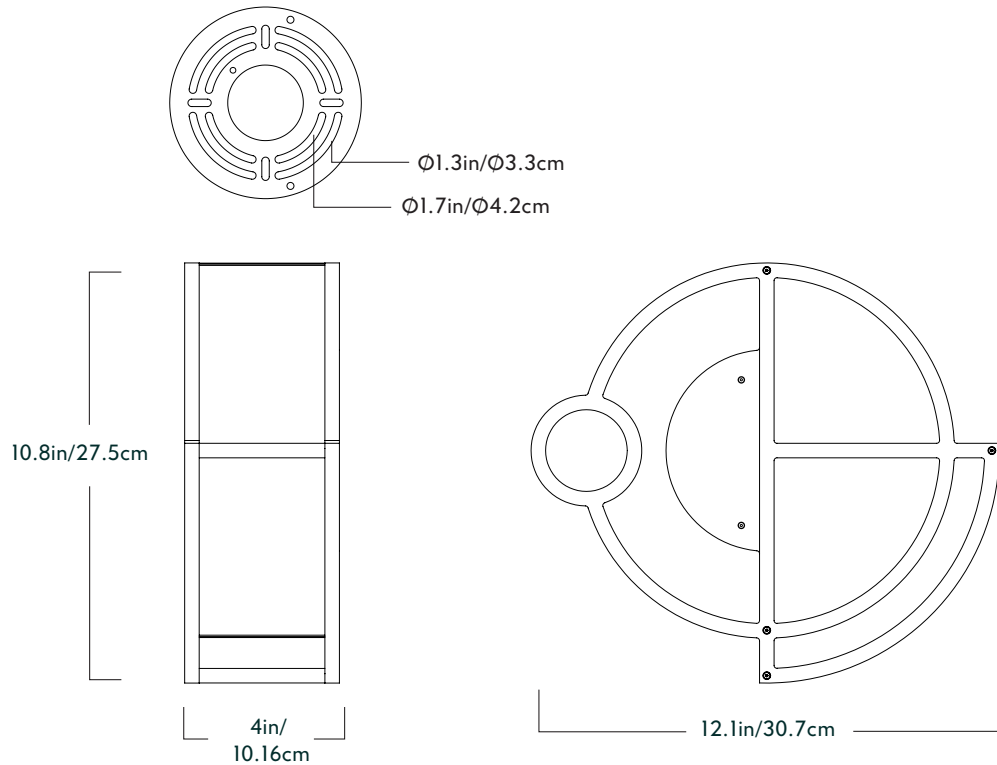


Mounting Dimensions



## Moonrise

Series  
Moonrise

Product  
Sconce 01

Dimensions  
H 10.8in/27.5cm x W 12.1in/30.7cm x  
D 4in/10.16cm

Weight  
5lb/2.3kg

## Sconce 01

Materials  
Acrylic, Steel, Aluminum

Finishes/Colors  
Brushed Brass, Black

Driver Location  
Driver located in lighting fixture

Certifications  
ADA compliant  
UL, cUL (120V)  
CE (240V)

120/277V Illumination  
Integrated LED  
Wattage: 20 Watts  
Lumens: 1,500 Lumens est.  
Color Temperature: 2700K, CRI 90+  
LED Lifetime: 50,000 Hours est.  
Dimming: 120V - TRIAC, ELV, 0-10V  
277V - 0-10V only

240V Illumination  
Integrated LED  
Wattage: 20 Watts  
Lumens: 1,500 Lumens est.  
Color Temperature: 2700K, CRI 90+  
LED Lifetime: 50,000 Hours est.  
Dimming: 0-10V  
(DALI dimming available upon request)

Fixture Mounting  
Designed to be mounted on standard  
4in. Electrical Box.  
Two #8-32 screws included.  
Additional mounting hardware provided  
for 240V versions.