

AlexAllen
Studio

twentieth
sales@twentieth.net
323.904.1200
www.twentieth.net

2x4 Plus Pendant (36")



Fixture in Whitewashed, Brushed Brass Hardware



Canopy in Satin Black

PRODUCT INFORMATION

Year of Design:

2015

Country of Manufacture:

Brooklyn, NY, USA

Materials:

Sustainably Harvested Eastern White Pine,
Steel, Brass, Aluminum, and Acrylic

Certifications:

Dry / Damp Location
UL Listed (US and Canada)
CE Listed (EU)

Warranty:

5 years

Fixture Weight:

7.5 lbs / 3.5 kg

Shipping Size and Weight:

32"L x 32"W x 8" H
81 cm x 81 cm x 20 cm
40 lbs / 18.1 kg

SPECIFICATIONS

LED:

Flexible LED Module (>60,000 Hour Lifespan)
Universal Voltage 120V-277V, 50Hz/60Hz

Dimming Options:

TRIAC/ELV or 0-10V*
*See compatible dimmer guide

Standard Brightness:

2020 Lumens (3000K), 94 CRI, 19W
(IES files available upon request)

High Brightness:

2885 Lumens (3000K), 94 CRI, 26W
(IES files available upon request)

LED Temperatures (K):

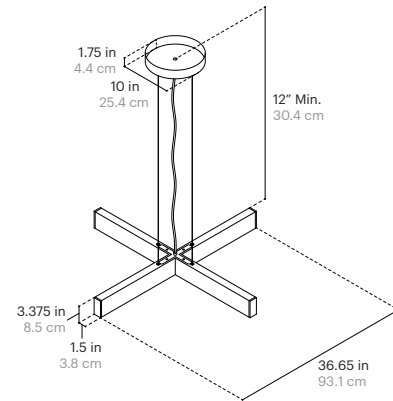
2200, 2500, 2700, 3000, 3500, 4000, 5000

Cord Length:

120" / 304.8 cm, Field Adjustable

Minimum Drop Length:

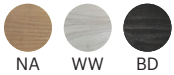
12" / 30.48 cm



FINISH OPTIONS

Wood Finishes:

Natural, Whitewashed, Black Dye



Endcap Finishes:

Blackened Steel, Brushed Steel, Brushed Brass, Satin White



Canopy Colors:

Satin Black, Satin White (Powder Coated)



Cord Colors:

Black, White



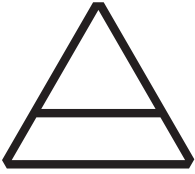
SPECIFICATION CODE

| Fixture | Size | LED Temp | Brightness | Dimming |
|--------------|-----------|------------|---------------------------------|------------|
| 2X4PP | 36 | | | UNV |
| | | 22 - 2200K | SB - Standard Brightness | |
| | | 25 - 2500K | HB - High Brightness | |
| | | 27 - 2700K | | |
| | | 30 - 3000K | | |
| | | 35 - 3500K | | |
| | | 40 - 4000K | | |
| | | 50 - 5000K | | |

FINISH CODE

| Wood | Endcaps | Canopy | Cord |
|-------------------------|-----------------------------|-------------------------|-------------------|
| NA - Natural | NO - No Endcaps | SB - Satin Black | BK - Black |
| WW - Whitewashed | BL - Blackened Steel | SW - Satin White | WH - White |
| BD - Black Dye | BS - Brushed Steel | | |
| | BB - Brushed Brass | | |
| | SW - Satin White | | |





AlexAllen
Studio

twentieth
sales@twentieth.net
323.904.1200
www.twentieth.net

2x4 Plus Pendant (48")



Fixture in Black Dye, Blackened Steel Hardware



Canopy in Satin Black

PRODUCT INFORMATION

Year of Design:

2015

Country of Manufacture:

Brooklyn, NY, USA

Materials:

Sustainably Harvested Eastern White Pine,
Steel, Brass, Aluminum, and Acrylic

Certifications:

Dry / Damp Location
UL Listed (US and Canada)
CE Listed (EU)

Warranty:

5 years

Fixture Weight:

10lbs / 4.5kg

Shipping Size and Weight:

42"L x 42"W x 8" H
106 cm x 106 cm x 20 cm
70lbs / 31.7 kg

SPECIFICATIONS

LED:

Flexible LED Module (>60,000 Hour Lifespan)
Universal Voltage 120V-277V, 50Hz/60Hz

Dimming Options:

TRIAC/ELV or 0-10V*
*See compatible dimmer guide

Standard Brightness:

3030 Lumens (3000K), 94 CRI, 28W
(IES files available upon request)

High Brightness:

4328 Lumens (3000K), 94 CRI, 40W
(IES files available upon request)

LED Temperatures (K):

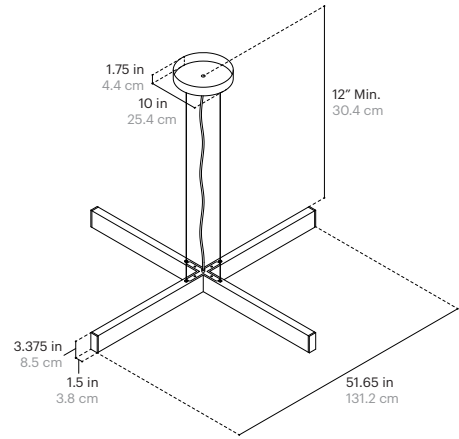
2200, 2500, 2700, 3000, 3500, 4000, 5000

Cord Length:

120" / 304.8 cm, Field Adjustable

Minimum Drop Length:

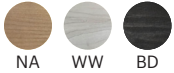
12" / 30.48 cm



FINISH OPTIONS

Wood Finishes:

Natural, Whitewashed, Black Dye



Endcap Finishes:

Blackened Steel, Brushed Steel, Brushed Brass, Satin White



Canopy Colors:

Satin Black, Satin White (Powder Coated)



Cord Colors:

Black, White



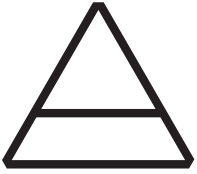
SPECIFICATION CODE

| Fixture | Size | LED Temp | Brightness | Dimming |
|--------------|-----------|------------|---------------------------------|------------|
| 2X4PP | 48 | | | UNV |
| | | 22 - 2200K | SB - Standard Brightness | |
| | | 25 - 2500K | HB - High Brightness | |
| | | 27 - 2700K | | |
| | | 30 - 3000K | | |
| | | 35 - 3500K | | |
| | | 40 - 4000K | | |
| | | 50 - 5000K | | |

FINISH CODE

| Wood | Endcaps | Canopy | Cord |
|-------------------------|-----------------------------|-------------------------|-------------------|
| NA - Natural | NO - No Endcaps | SB - Satin Black | BK - Black |
| WW - Whitewashed | BL - Blackened Steel | SW - Satin White | WH - White |
| BD - Black Dye | BS - Brushed Steel | | |
| | BB - Brushed Brass | | |
| | SW - Satin White | | |





AlexAllen
Studio

twentieth
sales@twentieth.net
323.904.1200
www.twentieth.net

2x4 Plus Pendant (60")



Fixture in Natural Wood, Brushed Steel Hardware



Canopy in Satin Black

PRODUCT INFORMATION

Year of Design:

2015

Country of Manufacture:

Brooklyn, NY, USA

Materials:

Sustainably Harvested Eastern White Pine,
Steel, Brass, Aluminum, and Acrylic

Certifications:

Dry / Damp Location
UL Listed (US and Canada)
CE Listed (EU)

Warranty:

5 years

Fixture Weight:

12.5 lbs / 5.5kg

Shipping Size and Weight:

49"L x 49"W x 8" H
124 cm x 124 cm x 20 cm
90 lbs / 40.8 kg

SPECIFICATIONS

LED:

Flexible LED Module (>60,000 Hour Lifespan)
Universal Voltage 120V-277V, 50Hz/60Hz

Dimming Options:

TRIAC/ELV or 0-10V*
*See compatible dimmer guide

Standard Brightness:

3705 Lumens (3000K), 94 CRI, 35W
(IES files available upon request)

High Brightness:

5288 Lumens (3000K), 94 CRI, 48W
(IES files available upon request)

LED Temperatures (K):

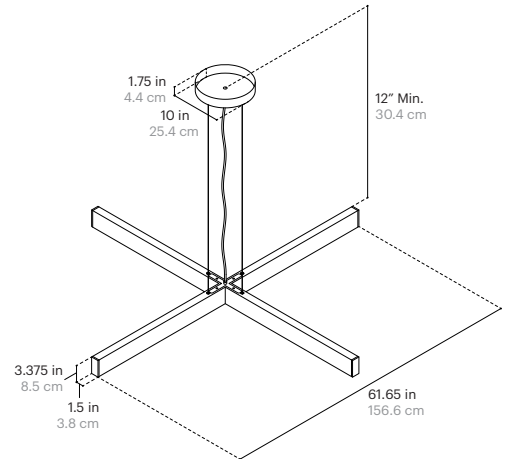
2200, 2500, 2700, 3000, 3500, 4000, 5000

Cord Length:

120" / 304.8 cm, Field Adjustable

Minimum Drop Length:

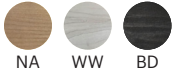
12" / 30.48 cm



FINISH OPTIONS

Wood Finishes:

Natural, Whitewashed, Black Dye



Endcap Finishes:

Blackened Steel, Brushed Steel, Brushed Brass, Satin White



Canopy Colors:

Satin Black, Satin White (Powder Coated)



Cord Colors:

Black, White



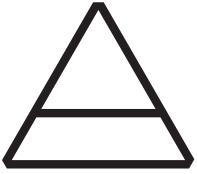
SPECIFICATION CODE

| Fixture | Size | LED Temp | Brightness | Dimming |
|--------------|-----------|------------|---------------------------------|------------|
| 2X4PP | 60 | | | UNV |
| | | 22 - 2200K | SB - Standard Brightness | |
| | | 25 - 2500K | HB - High Brightness | |
| | | 27 - 2700K | | |
| | | 30 - 3000K | | |
| | | 35 - 3500K | | |
| | | 40 - 4000K | | |
| | | 50 - 5000K | | |

FINISH CODE

| Wood | Endcaps | Canopy | Cord |
|-------------------------|-----------------------------|-------------------------|-------------------|
| NA - Natural | NO - No Endcaps | SB - Satin Black | BK - Black |
| WW - Whitewashed | BL - Blackened Steel | SW - Satin White | WH - White |
| BD - Black Dye | BS - Brushed Steel | | |
| | BB - Brushed Brass | | |
| | SW - Satin White | | |





AlexAllen
Studio

twentieth
sales@twentieth.net
323.904.1200
www.twentieth.net

DIMMER COMPATABILITY (L.T.F Dimmable LED Drivers)

LUTRON:

CASETA WIRELESS PD-6WCL
DIVA CL DVCL-153P-WH
DIVA ELV DVELV-303P
DIVA 0-10V DVSTV
DIVA 0-10V DDTV
HOME WORKS HQRD-6A
HOME WORKS HQRD-6NA
MRF2-6ELV-120-WH
MAESTRO MRF2-6ELV-120-WH
MAESTRO RF RRA-6D
MAESTRO RF RRA-6NA
MAESTRO RF RRA-6ND
MAESTRO MAELV-600
MAESTRO MSCELV-600M
MAESTRO CL MAELV-153MH
MAESTRO IR MIRELV-600
MAESTRO WIRELESS MRF2-6ELV-120
NOVA T NTELV-600-WH
NOVA NVELV-600-WH
NOVA T NTELV-300
SKYLARK SELV-600-WH
SKYLARK CONTOUR CTELV-303P
VIERTI VTELV-600-XXX

CRESTRON:

CLW-DIMSWEX-P
P-DIMEX
GLX-DIM6
GLXX-2DIM8
CLW-DELVEX-E
CLW-DELVEX-P
CLX-2DIMFLV8
DIN-4DIMFLV4
CLS-EXP-DIMFLV
GLX-DIMFLV8
SELV-300P
CLS-C6
CLS-C6M
CLS-C6EX
CLS-C6MEX
CLS-C6MRF
CLS-C6RF
CLS-EXP-DIM
CLS-EXP-DIMU
CLX-1DIM4
CLX-1DIM8
CLX-2DIM2
CLX-2DIM8

(CONTINUED)

CLX-1DELV4
DIN-1DIM4
DIN-1DIMU4
CLW-DIMEX-E
CLW-DIMEX-P
CLW-DIMSWEX-E

LEVITON:

6615
6672
6674/IPL06
IPE04
IPI06
VP106
VPE04
VPM06
VRE04
VRM10
IP710
DS710
DD710

FEIT

BPMIMSMART/2

