

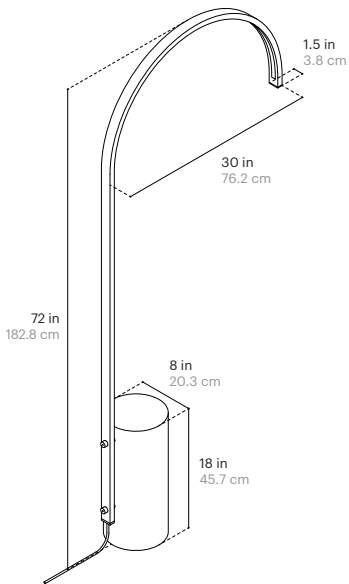
**AlexAllen**  
Studio

twentieth  
sales@twentieth.net  
323.904.1200  
www.twentieth.net

# Cane Floorlamp



Fixture in Gunmetal



## PRODUCT INFORMATION

**Year of Design:**  
2019

**Country of Manufacture:**  
Brooklyn, NY, USA

**Materials:**  
Steel Tube, Acrylic, and Cordova Limestone

**Certifications:**  
UL Listed (US and Canada)  
CE Listed (EU)

**Warranty:** 5 years

**Fixture Weight:**  
80lbs/36.2kg

**Box 1 - Shipping Size and Weight:**  
76"L x 34"W x 6" H  
193 cm x 86.4 cm x 15.2 cm  
30lbs / 13.6 kg

**Box 2 - Shipping Size and Weight:**  
18"L x 8"W x 8" H  
45.7 cm x 20.3 cm x 20.3 cm  
50lbs / 22.6 kg

## SPECIFICATIONS

**LED:**  
Flexible LED Module (>60,000 Hour Lifespan)  
Universal Voltage 120V-277V, 50Hz/60Hz

**Dimming Options:**  
Pulse Width Modulation, Dims from 0 to 100%

**Standard Brightness:**  
2284 Lumens (3000K), 94 CRI, 20W  
(IES files available upon request)

**LED Temperatures (K):**  
2200, 2500, 2700, 3000, 3500, 4000, 5000

**Cord Length:**  
120" / 304.8 cm, Field Adjustable

## FINISH OPTIONS

### Metal Finishes:

Brushed Nickel, Polished Nickel, Brushed Brass, Polished Brass, Mottled Brass, Bronze, Blackened Steel, Gunmetal



### Stone Finishes:

Cordova Limestone



### Cord Colors:

Black, Brown, Houndstooth



## SPECIFICATION CODE

Fixture	LED Temp	Brightness	Dimming
<b>CAN</b>		<b>SB</b>	<b>PWM</b>
	22 - 2200K		
	25 - 2500K		
	27 - 2700K		
	30 - 3000K		
	35 - 3500K		
	40 - 4000K		
	50 - 5000K		

## FINISH CODE

Metal Finish	Stone Finish	Cord Color
<b>BN</b> - Brushed Nickel	<b>CV</b> - Cordova Limestone	<b>BK</b> - Black
<b>PN</b> - Polished Nickel		<b>BR</b> - Brown
<b>BB</b> - Brushed Brass		<b>HT</b> - Houndstooth
<b>PB</b> - Polished Brass		
<b>MB</b> - Mottled Brass		
<b>BR</b> - Bronze		
<b>BS</b> - Blackened Steel		
<b>GM</b> - Gunmetal		

