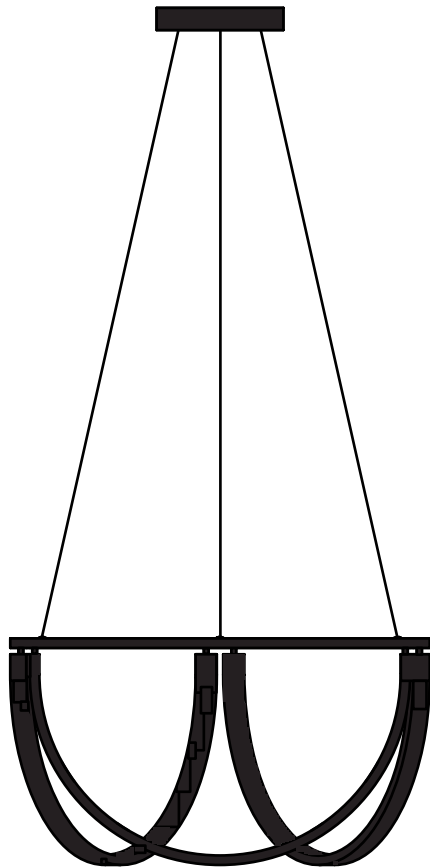


AlexAllen
Studio

Chord Cluster Collection

Installation and Product Guide
(30", 36", 40", 48")



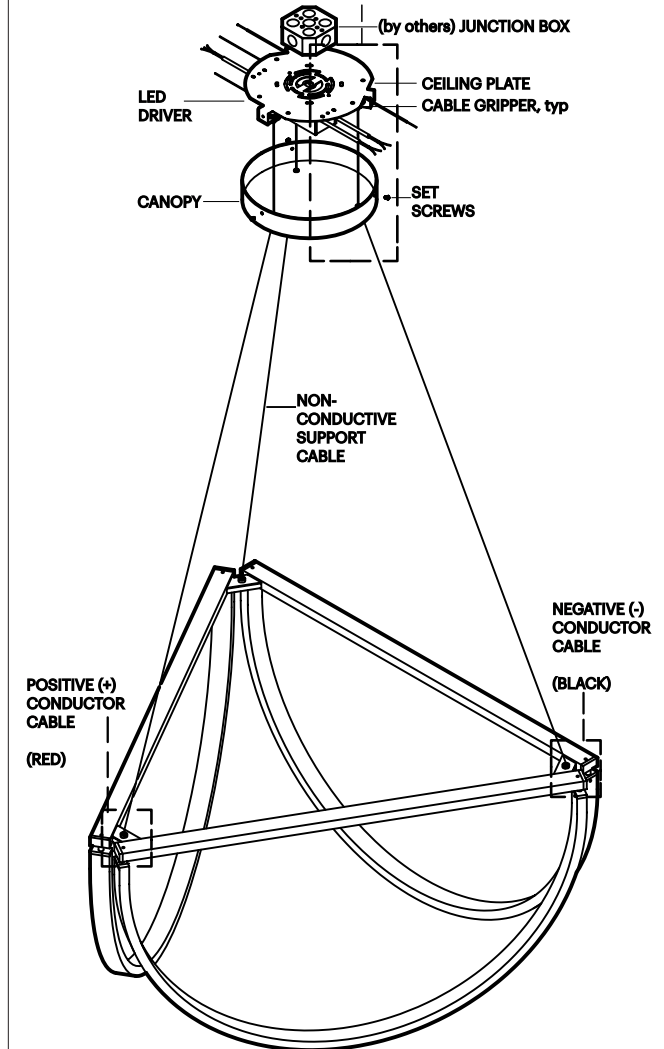
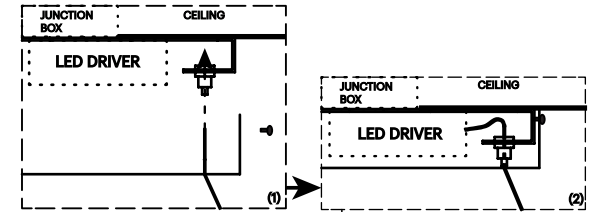
CAUTION: Electric shock risk. Turn off electrical power at breaker before beginning installation. We recommend this product be installed by a qualified electrician only.

Installation Instructions

- (1) Attach **ceiling plate** to ceiling **junction box** with junction box screws.
- (2) Feed the three **suspension cables** through the holes in the bottom of the **canopy** and into the cable grippers in the **ceiling plate**.
- (3) Continue feeding suspension cables through the cable grippers until the light is at the desired height and is level.
- (4) slide the red/black cable insulation along the excess powered cable until it abuts the tops of the cable grippers (ensure that no metal cable is touching the metal interior of the canopy/ceiling plate). Trim conductive cables to the appropriate length.
- (5) connect the red (+) conductive suspension cable to the red (+) output cable on the LED driver. connect the black (-) suspension cable to the black (-) driver output. Connect the driver input cables to the line voltage input.
- (6) Slide the canopy up the suspension cables to the ceiling and secure it using the three set screws.

twentieth

sales@twentieth.net
323.904.1200
www.twentieth.net



Dimmer Compatability

Lutron

DVCL-152P-WH
DVCLV-303P
HQRD-6A
HQRD-6NA
MRF2-6ELV-120-WH
NTELV-600-WH
NVELV-600-WH
SELV-600-WH
MRF2-6ELV-120-WH
VTELV-600 XXX
NTELV-300
MAELV-600
MSCELV-600M
MIRELV-600
MRF2-6ELV-120

Crestron

CLS-C6
CLS-C6M
CLS-C6EX
CLS-C6MEX
CLS-C6MRF
CLS-C6RF
CLS-EXP-DIM
CLS-EXP-DIMU
CLX-1DIM4
CLX-1DIM8
CLX-2DIM2
CLX-2DIM8
CLX-1DELV4
DIN-1DIM4
DIN-1DIMU4

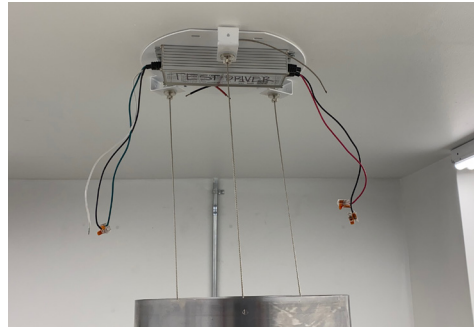
Leviton

Model 6615
Model 6672
Model 6674/IPLO6
Model IPE04
Model IPI06
Model VP106
Model VPE04
Model VPM06
Model VRE04
Model VRM10

CLW-DIMEX-E
CLW-DIMEX-P
CLW-DIMSWEX-E
CLW-DIMSWEX-P
P-DIMEX
GLX-DIM6
GLXX-2DIM8
CLW-DELVEX-E
CLW-DELVEX-P

Skylark

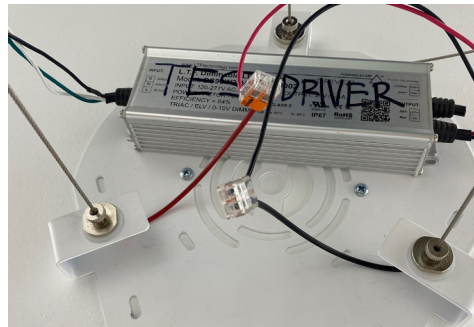
CTELV-303P
SELV-300P



Pass suspension cables through grommets in canopy and lock into cable grippers in ceiling plates.

Raise the light by pulling cables through the cable grippers

Ensure that the light is hanging level and at the correct height.



Ensure powered suspension cables are fully insulated inside the canopy.



Slide the canopy up to meet the ceiling plate.



Fasten the Canopy in place with provided button head screws.