

**AlexAllen**  
Studio

twentieth  
sales@twentieth.net  
323.904.1200  
www.twentieth.net

# Chord Pendant (30")



Fixture in Mottled Brass



Canopy in Bronze

## PRODUCT INFORMATION

### Year of Design:

2017

### Country of Manufacture:

Brooklyn, NY, USA

### Materials:

Steel Tube, Aluminum, and Acrylic

### Certifications:

Dry / Damp Location  
UL Listed (US and Canada)  
CE Listed (EU)

### Warranty:

5 years

### Fixture Weight:

8 lbs / 3.6kg

### Shipping Size and Weight:

55"L x 9"W x 29" H  
386 cm x 23 cm x 74 cm  
20lbs / 9.1 kg

## SPECIFICATIONS

### LED:

Flexible LED Module (>60,000 Hour Lifespan)  
Universal Voltage 120V-277V, 50Hz/60Hz

### Dimming Options:

TRIAC/ELV or 0-10V\*  
\*See compatible dimmer guide

### Standard Brightness:

2526 Lumens (3000K), 94 CRI, 24W  
(IES files available upon request)

### LED Temperatures (K):

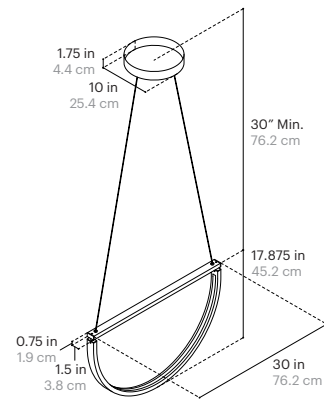
2200, 2500, 2700, 3000, 3500, 4000, 5000

### Cord Length:

120" / 304.8 cm, Field Adjustable

### Minimum Drop Length:

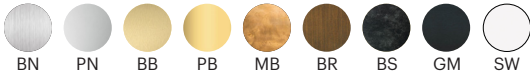
30" / 76.2 cm



## FINISH OPTIONS

### Metal and Canopy Finishes:

Brushed Nickel, Polished Nickel, Brushed Brass, Polished Brass, Mottled Brass, Bronze, Blackened Steel, Gunmetal, Satin White



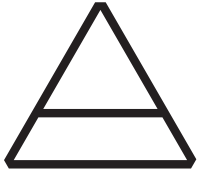
## SPECIFICATION CODE

Fixture	Size	LED Temp	Brightness	Dimming
<b>CRD</b>	<b>30</b>		<b>SB</b>	<b>UNV</b>
		22 - 2200K		
		25 - 2500K		
		27 - 2700K		
		30 - 3000K		
		35 - 3500K		
		40 - 4000K		
		50 - 5000K		

## FINISH CODE

Metal Finish		Canopy Finish	
<b>BN</b> - Brushed Nickel	<b>BR</b> - Bronze	<b>SN</b> - Brushed Nickel	<b>BR</b> - Bronze
<b>PN</b> - Polished Nickel	<b>BS</b> - Blackened Steel	<b>PN</b> - Polished Nickel	<b>BS</b> - Blackened Steel
<b>BB</b> - Brushed Brass	<b>GM</b> - Gunmetal	<b>BB</b> - Brushed Brass	<b>GB</b> - Gunmetal
<b>PB</b> - Polished Brass		<b>PB</b> - Polished Brass	<b>SW</b> - Satin White
<b>MB</b> - Mottled Brass		<b>MB</b> - Mottled Brass	





**AlexAllen**  
Studio

twentieth  
sales@twentieth.net  
323.904.1200  
www.twentieth.net

# Chord Pendant (36")



Fixture in Mottled Brass



Canopy in Bronze

## PRODUCT INFORMATION

### Year of Design:

2017

### Country of Manufacture:

Brooklyn, NY, USA

### Materials:

Steel Tube, Aluminum, and Acrylic

### Certifications:

Dry / Damp Location  
UL Listed (US and Canada)  
CE Listed (EU)

### Warranty:

5 years

### Fixture Weight:

9 lbs / 4.1kg

### Shipping Size and Weight:

55"L x 9"W x 29" H  
386 cm x 23 cm x 74 cm  
25lbs / 11.3 kg

## SPECIFICATIONS

### LED:

Flexible LED Module (>60,000 Hour Lifespan)  
Universal Voltage 120V-277V, 50Hz/60Hz

### Dimming Options:

TRIAC/ELV or 0-10V\*  
\*See compatible dimmer guide

### Standard Brightness:

3032 Lumens (3000K), 94 CRI, 28W  
(IES files available upon request)

### LED Temperatures (K):

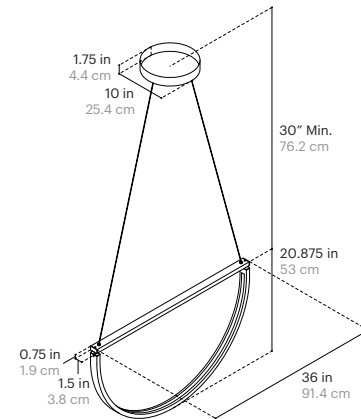
2200, 2500, 2700, 3000, 3500, 4000, 5000

### Cord Length:

120" / 304.8 cm, Field Adjustable

### Minimum Drop Length:

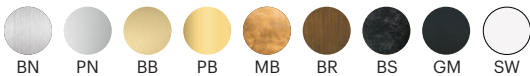
30" / 76.2 cm



## FINISH OPTIONS

### Metal and Canopy Finishes:

Brushed Nickel, Polished Nickel, Brushed Brass, Polished Brass, Mottled Brass, Bronze, Blackened Steel, Gunmetal, Satin White



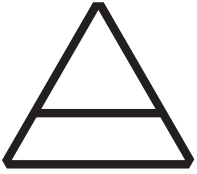
## SPECIFICATION CODE

Fixture	Size	LED Temp	Brightness	Dimming
<b>CRD</b>	<b>36</b>		<b>SB</b>	<b>UNV</b>
		22 - 2200K		
		25 - 2500K		
		27 - 2700K		
		30 - 3000K		
		35 - 3500K		
		40 - 4000K		
		50 - 5000K		

## FINISH CODE

Metal Finish		Canopy Finish	
<b>BN</b> - Brushed Nickel	<b>BR</b> - Bronze	<b>SN</b> - Brushed Nickel	<b>BR</b> - Bronze
<b>PN</b> - Polished Nickel	<b>BS</b> - Blackened Steel	<b>PN</b> - Polished Nickel	<b>BS</b> - Blackened Steel
<b>BB</b> - Brushed Brass	<b>GM</b> - Gunmetal	<b>BB</b> - Brushed Brass	<b>GB</b> - Gunmetal
<b>PB</b> - Polished Brass		<b>PB</b> - Polished Brass	<b>SW</b> - Satin White
<b>MB</b> - Mottled Brass		<b>MB</b> - Mottled Brass	





**AlexAllen**  
Studio

twentieth  
sales@twentieth.net  
323.904.1200  
www.twentieth.net

# Chord Pendant (40")



## PRODUCT INFORMATION

**Year of Design:**  
2017

**Country of Manufacture:**  
Brooklyn, NY, USA

**Materials:**  
Steel Tube, Aluminum, and Acrylic

**Certifications:**  
Dry / Damp Location  
UL Listed (US and Canada)  
CE Listed (EU)

**Warranty:**  
5 years

**Fixture Weight:**  
10 lbs / 4.5kg

**Shipping Size and Weight:**  
55"L x 9"W x 29" H  
386 cm x 23 cm x 74 cm  
30lbs / 13.6 kg

## SPECIFICATIONS

**LED:**  
Flexible LED Module (>60,000 Hour Lifespan)  
Universal Voltage 120V-277V, 50Hz/60Hz

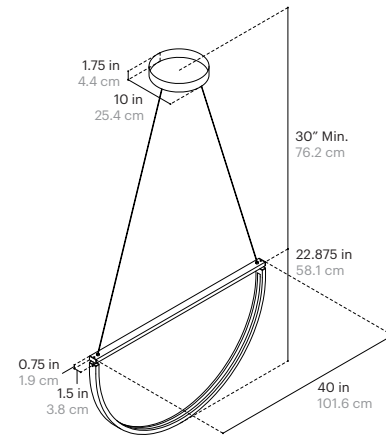
**Dimming Options:**  
TRIAC/ELV or 0-10V\*  
\*See compatible dimmer guide

**Standard Brightness:**  
3542 Lumens (3000K), 94 CRI, 32W  
(IES files available upon request)

**LED Temperatures (K):**  
2200, 2500, 2700, 3000, 3500, 4000, 5000

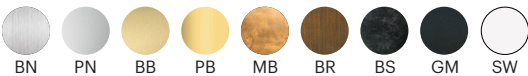
**Cord Length:**  
120" / 304.8 cm, Field Adjustable

**Minimum Drop Length:**  
30" / 76.2 cm



## FINISH OPTIONS

**Metal and Canopy Finishes:**  
Brushed Nickel, Polished Nickel, Brushed Brass, Polished Brass, Mottled Brass, Bronze, Blackened Steel, Gunmetal, Satin White



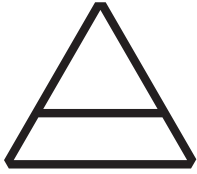
## SPECIFICATION CODE

Fixture	Size	LED Temp	Brightness	Dimming
<b>CRD</b>	<b>40</b>		<b>SB</b>	<b>UNV</b>
		22 - 2200K		
		25 - 2500K		
		27 - 2700K		
		30 - 3000K		
		35 - 3500K		
		40 - 4000K		
		50 - 5000K		

## FINISH CODE

Metal Finish		Canopy Finish	
<b>BN</b> - Brushed Nickel	<b>BR</b> - Bronze	<b>SN</b> - Brushed Nickel	<b>BR</b> - Bronze
<b>PN</b> - Polished Nickel	<b>BS</b> - Blackened Steel	<b>PN</b> - Polished Nickel	<b>BS</b> - Blackened Steel
<b>BB</b> - Brushed Brass	<b>GM</b> - Gunmetal	<b>BB</b> - Brushed Brass	<b>GB</b> - Gunmetal
<b>PB</b> - Polished Brass		<b>PB</b> - Polished Brass	<b>SW</b> - Satin White
<b>MB</b> - Mottled Brass		<b>MB</b> - Mottled Brass	





**AlexAllen**  
Studio

twentieth  
sales@twentieth.net  
323.904.1200  
www.twentieth.net

# Chord Pendant (48")



Fixture in Bronze



Canopy in Bronze

## PRODUCT INFORMATION

### Year of Design:

2017

### Country of Manufacture:

Brooklyn, NY, USA

### Materials:

Steel Tube, Aluminum, and Acrylic

### Certifications:

Dry / Damp Location  
UL Listed (US and Canada)  
CE Listed (EU)

### Warranty:

5 years

### Fixture Weight:

12 lbs / 5.5kg

### Shipping Size and Weight:

57"L x 11"W x 33" H  
145 cm x 28 cm x 84 cm  
35lbs / 15.8 kg

## SPECIFICATIONS

### LED:

Flexible LED Module (>60,000 Hour Lifespan)  
Universal Voltage 120V-277V, 50Hz/60Hz

### Dimming Options:

TRIAC/ELV or 0-10V\*  
\*See compatible dimmer guide

### Standard Brightness:

4125 Lumens (3000K), 94 CRI, 40W  
(IES files available upon request)

### LED Temperatures (K):

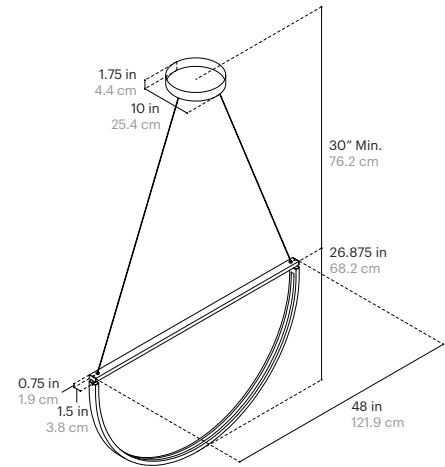
2200, 2500, 2700, 3000, 3500, 4000, 5000

### Cord Length:

120" / 304.8 cm, Field Adjustable

### Minimum Drop Length:

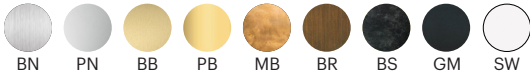
30" / 76.2 cm



## FINISH OPTIONS

### Metal and Canopy Finishes:

Brushed Nickel, Polished Nickel, Brushed Brass, Polished Brass, Mottled Brass, Bronze, Blackened Steel, Gunmetal, Satin White



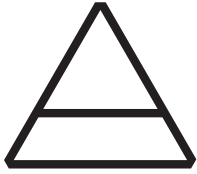
## SPECIFICATION CODE

Fixture	Size	LED Temp	Brightness	Dimming
CRD	48		SB	UNV
		22 - 2200K		
		25 - 2500K		
		27 - 2700K		
		30 - 3000K		
		35 - 3500K		
		40 - 4000K		
		50 - 5000K		

## FINISH CODE

Metal Finish		Canopy Finish	
BN - Brushed Nickel	BR - Bronze	SN - Brushed Nickel	BR - Bronze
PN - Polished Nickel	BS - Blackened Steel	PN - Polished Nickel	BS - Blackened Steel
BB - Brushed Brass	GM - Gunmetal	BB - Brushed Brass	GB - Gunmetal
PB - Polished Brass		PB - Polished Brass	SW - Satin White
MB - Mottled Brass		MB - Mottled Brass	





**AlexAllen**  
Studio

twentieth  
sales@twentieth.net  
323.904.1200  
www.twentieth.net

# Chord Pendant (52")



Fixture in Bronze



Canopy in Bronze

## PRODUCT INFORMATION

### Year of Design:

2017

### Country of Manufacture:

Brooklyn, NY, USA

### Materials:

Steel Tube, Aluminum, and Acrylic

### Certifications:

Dry / Damp Location  
UL Listed (US and Canada)  
CE Listed (EU)

### Warranty:

5 years

### Fixture Weight:

15 lbs / 6.8kg

### Shipping Size and Weight:

57"L x 11"W x 33" H  
145 cm x 28 cm x 84 cm  
40lbs / 18.1 kg

## SPECIFICATIONS

### LED:

Flexible LED Module (>60,000 Hour Lifespan)  
Universal Voltage 120V-277V, 50Hz/60Hz

### Dimming Options:

TRIAC/ELV or 0-10V\*  
\*See compatible dimmer guide

### Standard Brightness:

4462 Lumens (3000K), 94 CRI, 42W  
(IES files available upon request)

### LED Temperatures (K):

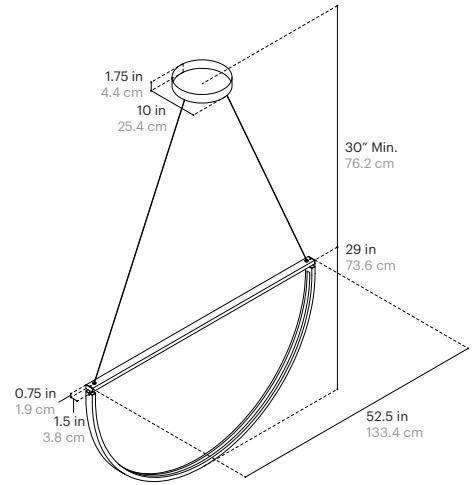
2200, 2500, 2700, 3000, 3500, 4000, 5000

### Cord Length:

120" / 304.8 cm, Field Adjustable

### Minimum Drop Length:

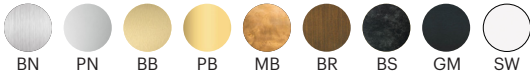
30" / 76.2 cm



## FINISH OPTIONS

### Metal and Canopy Finishes:

Brushed Nickel, Polished Nickel, Brushed Brass, Polished Brass, Mottled Brass, Bronze, Blackened Steel, Gunmetal, Satin White



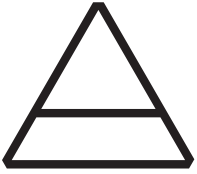
## SPECIFICATION CODE

Fixture	Size	LED Temp	Brightness	Dimming
<b>CRD</b>	<b>52</b>		<b>SB</b>	<b>UNV</b>
		22 - 2200K		
		25 - 2500K		
		27 - 2700K		
		30 - 3000K		
		35 - 3500K		
		40 - 4000K		
		50 - 5000K		

## FINISH CODE

Metal Finish		Canopy Finish	
<b>BN</b> - Brushed Nickel	<b>BR</b> - Bronze	<b>SN</b> - Brushed Nickel	<b>BR</b> - Bronze
<b>PN</b> - Polished Nickel	<b>BS</b> - Blackened Steel	<b>PN</b> - Polished Nickel	<b>BS</b> - Blackened Steel
<b>BB</b> - Brushed Brass	<b>GM</b> - Gunmetal	<b>BB</b> - Brushed Brass	<b>GB</b> - Gunmetal
<b>PB</b> - Polished Brass		<b>PB</b> - Polished Brass	<b>SW</b> - Satin White
<b>MB</b> - Mottled Brass		<b>MB</b> - Mottled Brass	





**AlexAllen**  
Studio

twentieth  
sales@twentieth.net  
323.904.1200  
www.twentieth.net

---

**DIMMER COMPATABILITY (L.T.F Dimmable LED Drivers)**

**LUTRON:**

CASETA WIRELESS PD-6WCL  
DIVA CL DVCL-153P-WH  
DIVA ELV DVELV-303P  
DIVA 0-10V DVSTV  
DIVA 0-10V DDTV  
HOME WORKS HQRD-6A  
HOME WORKS HQRD-6NA  
MRF2-6ELV-120-WH  
MAESTRO MRF2-6ELV-120-WH  
MAESTRO RF RRA-6D  
MAESTRO RF RRA-6NA  
MAESTRO RF RRA-6ND  
MAESTRO MAELV-600  
MAESTRO MSCELV-600M  
MAESTRO CL MAELV-153MH  
MAESTRO IR MIRELV-600  
MAESTRO WIRELESS MRF2-6ELV-120  
NOVA T NTELV-600-WH  
NOVA NVELV-600-WH  
NOVA T NTELV-300  
SKYLARK SELV-600-WH  
SKYLARK CONTOUR CTELV-303P  
VIERTI VTELV-600-XXX

**CRESTRON:**

CLW-DIMSWEX-P  
P-DIMEX  
GLX-DIM6  
GLXX-2DIM8  
CLW-DELVEX-E  
CLW-DELVEX-P  
CLX-2DIMFLV8  
DIN-4DIMFLV4  
CLS-EXP-DIMFLV  
GLX-DIMFLV8  
SELV-300P  
CLS-C6  
CLS-C6M  
CLS-C6EX  
CLS-C6MEX  
CLS-C6MRF  
CLS-C6RF  
CLS-EXP-DIM  
CLS-EXP-DIMU  
CLX-1DIM4  
CLX-1DIM8  
CLX-2DIM2  
CLX-2DIM8

**(CONTINUED)**

CLX-1DELV4  
DIN-1DIM4  
DIN-1DIMU4  
CLW-DIMEX-E  
CLW-DIMEX-P  
CLW-DIMSWEX-E

**LEVITON:**

6615  
6672  
6674/IPL06  
IPE04  
IPI06  
VP106  
VPE04  
VPM06  
VRE04  
VRM10  
IP710  
DS710  
DD710

**FEIT**

BPMIMSMART/2

