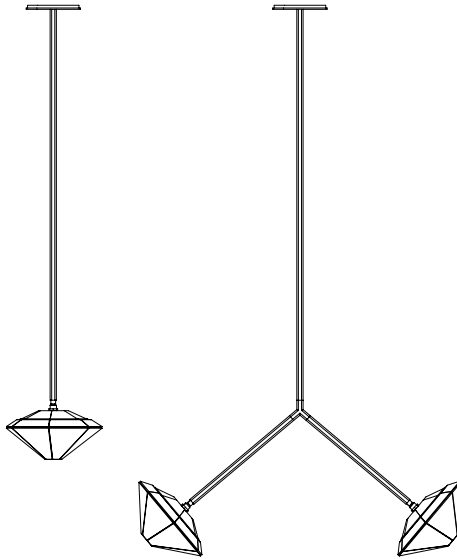




FILE#: E488971
FILE#: E503097



MYRIAD

Pendant and Wishbone

Installation Guide

- Certified electrician recommended for electrical installation.
- Terminal Block not included. Installation may require advice from a qualified person.
- For all LED fixtures, use only with class 3 power unit.
- The light source contained in this luminaire shall only be replaced by the manufacturer or his service agent or a similar qualified person. Contact manufacturer for service.
- Junction box or structural blocking rated minimum to support 35 lbs/15.9kg required.

*** IMPORTANT: Please provide email confirmation that your order and its related components have been received in their entirety and in good condition. Failure to do so within 7 days of delivery will waive all product warranties.**

Provided supplies

- Myriad fixture
- Myriad glass volumes
- Universal T-bar
- Installation screws

Required tools and hardware

- Screwdriver
- Allen key
- Drywall anchors suitable for 25lbs for mono points
- 4x 2-pole wiring terminals, screws or screwless, 12-18AWG (1.0-2.5mm²) rated for 600V, 15A / ex: WAGO 222-412
- LED driver; input: local line voltage, output: 12Vdc SELV, 5A, Max 60 watt, Class 3 LED driver

STEP 1

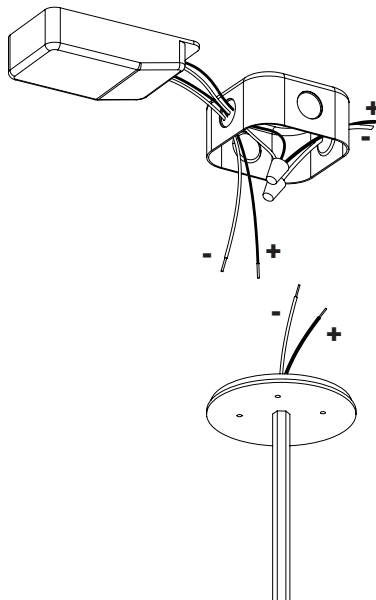
If the chandelier is provided with stems to assemble, put together the stems using the provided self locking nipples (1/8IPS) and leave to set for 24 hours. Do not unscrew the stems once assembled. This curing step can be done while the chandelier is installed.

STEP 2

Shut down associated electrical breaker and wire LED driver to power source. Secure driver in junction box using provided universal T-bar.

Using wire terminals, connect the LED driver to the Luna Fixture (Maximum distance 30m, use 12-18AWG (1.0-2.5mm²)). The black wire is positive (+) and the white wire is neutral (-).

Install the universal T-bar and then secure the canopy to the T-bar using the screws provided.



STEP
3

To install Myriad glass volume:

Make sure to pair the matching Myriad glass volume labels to the corresponding tags found on the fixture.

Slide the glass volume over the aluminum heatsink found at the end of each rod.

Tighten the three set screws on the Myriad glass volume so that the set screws land in the groove of the aluminum heatsink.

Carefully remove the protective mesh holding the cap and collar and slide them carefully down against the Myriad glass volume assembly. Tighten the set screw on the collar.

