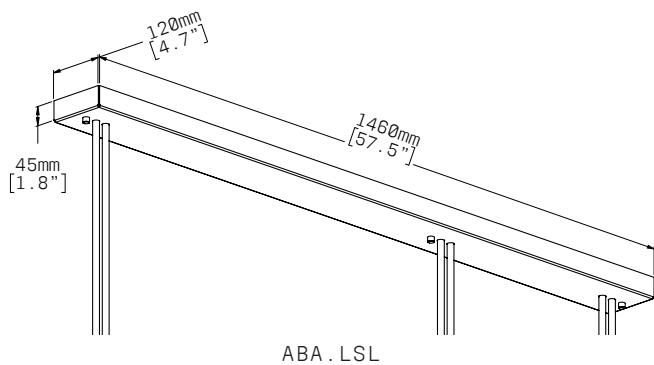
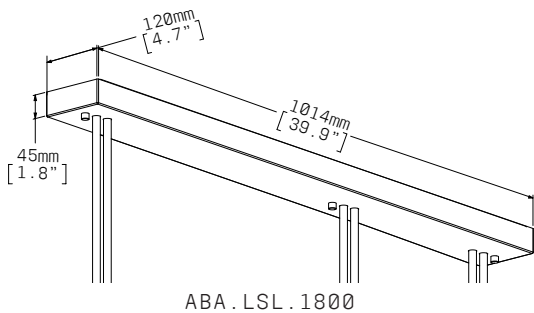
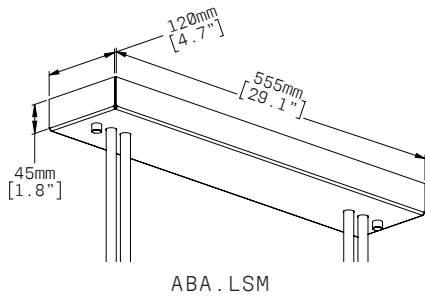
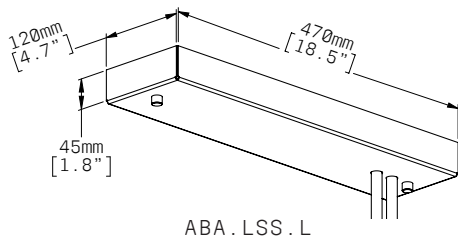
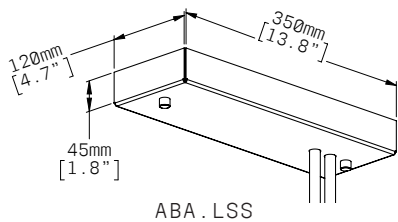


ABACUS SURFACE CANOPY



Suits dual rod suspension only and low voltage fixtures.

Canopy matches selected pendant finish unless alternative finish is specified.

COMPATIBLE FIXTURES:

ABACUS

JUNCTION BOX COMPATIBLE:

Yes

LUTRON COMPATIBLE:

- ABA.LSS - NO
- ABA.LSS.L - YES
- ABA.LSM - YES
- ABA.LSL.1800 - YES
- ABA.LSL - YES

INSTALLATION:

Refer to Installation Guide for full information.

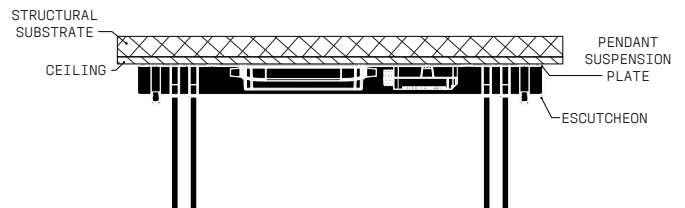
The ABACUS SURFACE Canopy sits proud on the visible surface of the ceiling.

Designed to house control gear when ceiling cavity access or remote location of control gear is impossible.

Comprised of a Pendant Suspension Plate fixed to surface of ceiling with an external Escutcheon.

COMPATIBILITY

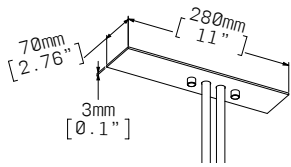
- ABA.LSS/LSS.L - ABACUS 900
- ABA.LSM - ABACUS 1200 & 1500
- ABA.LSL.1800 - ABACUS 1800
- ABA.LSL - ABACUS 2100 & 2400



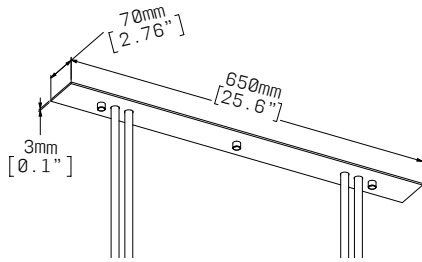
CROSS-SECTION

CODE: ABA . L S L
 FIXTURE SHAPE STYLE SIZE

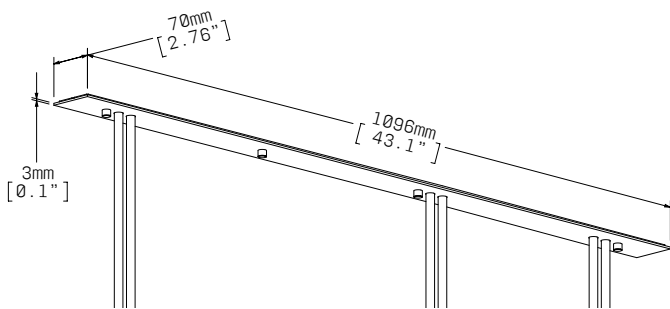
ABACUS FLUSH CANOPY



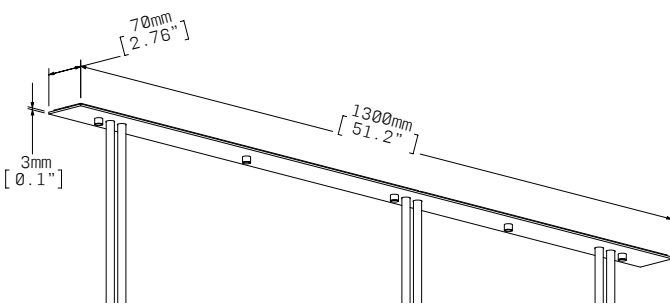
ABA.LFS



ABA.LFM



ABA.LFL.1800



ABA.LFL

Suits dual rod suspension only and low voltage fixtures.

Canopy matches selected pendant finish unless alternative finish is specified.

COMPATIBLE FIXTURES:

ABACUS

JUNCTION BOX COMPATIBLE:

No

INSTALLATION:

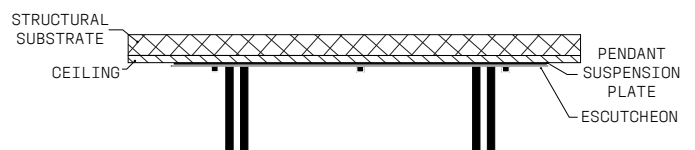
Refer to Installation Guide for full information.

The ABACUS FLUSH Canopy sits proud on the visible surface of the ceiling.

Control gear must be remotely located. Comprised of a Pendant Suspension Plate fixed to surface of ceiling with an external Escutcheon.

COMPATIBILITY

ABA.LFS	- ABACUS 900
ABA.LFM	- ABACUS 1200 & 1500
ABA.LFL.1800	- ABACUS 1800
ABA.LFL	- ABACUS 2100 & 2400



CROSS-SECTION

CODE: ABA . L S L
 FIXTURE SHAPE STYLE SIZE