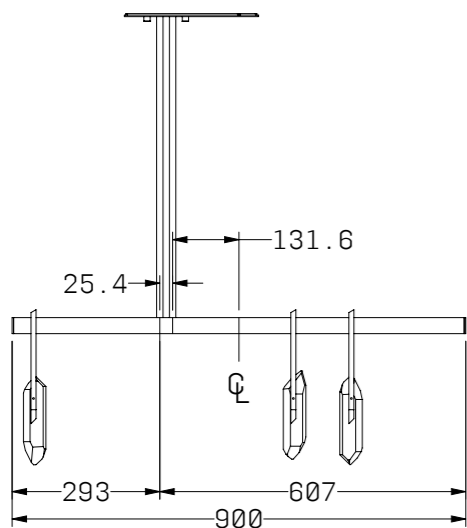
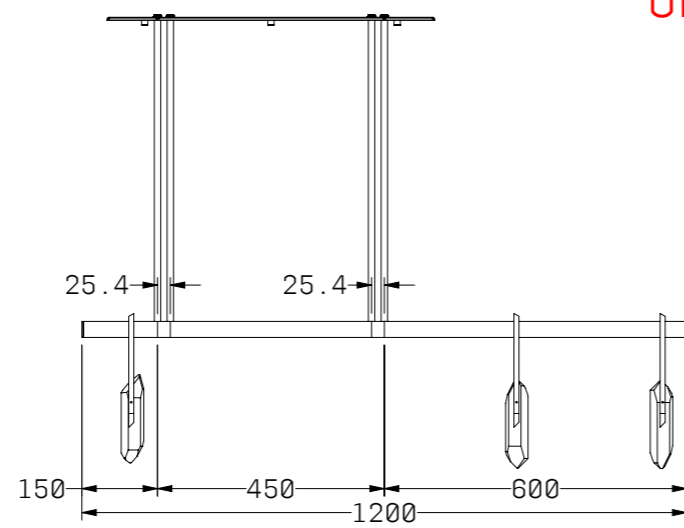


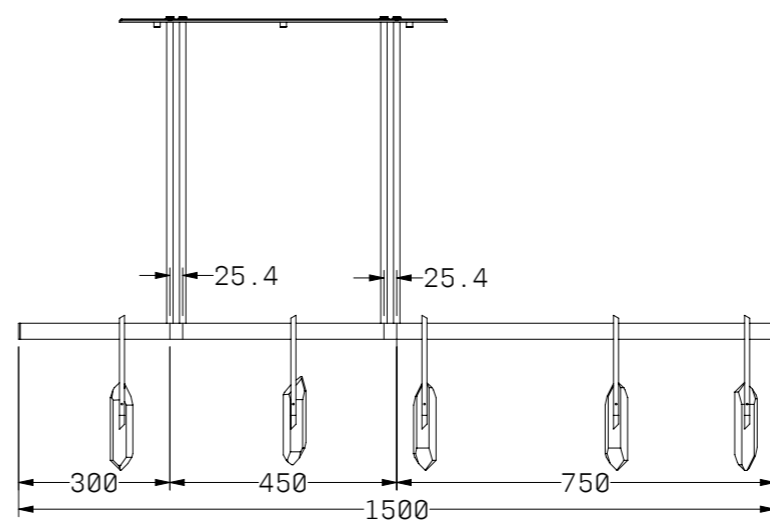
# 2022 ABACUS ROD SPACING UPDATE



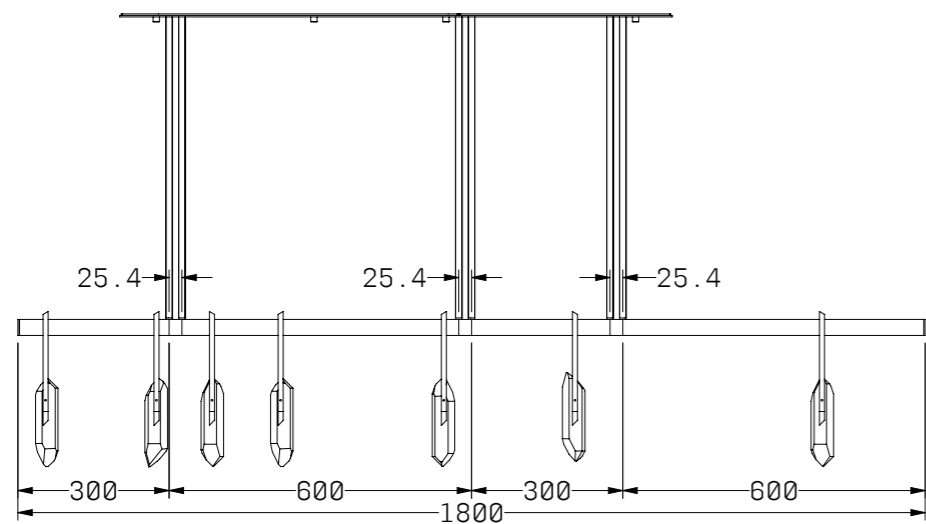
ABACUS 900



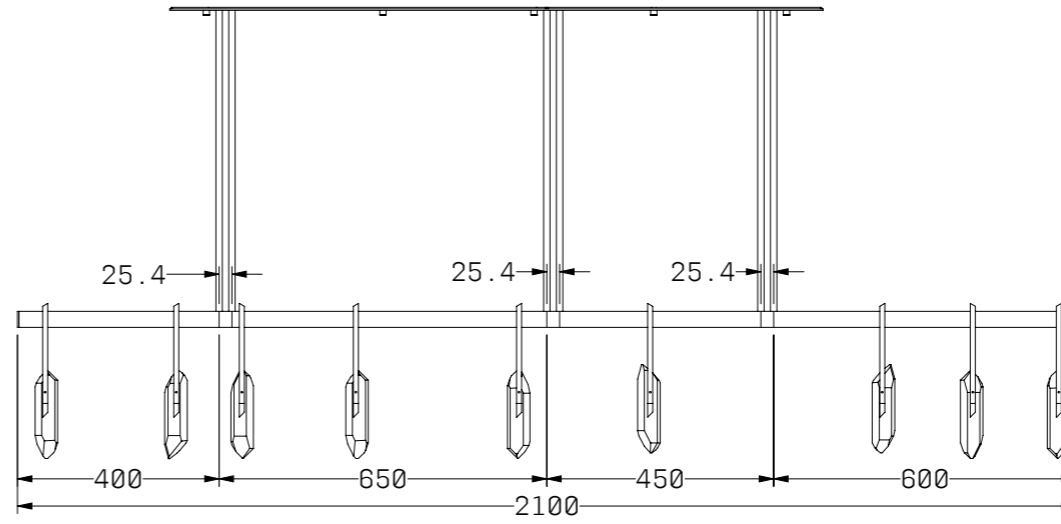
ABACUS 1200



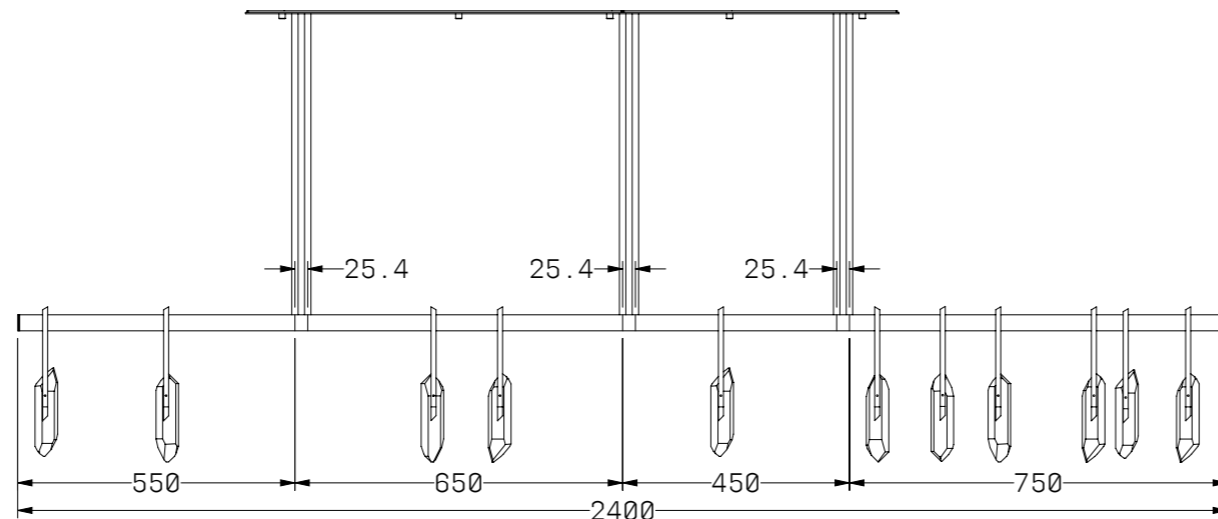
ABACUS 1500



ABACUS 1800



ABACUS 2100



ABACUS 2400

CLIENT  
CHRISTOPHER BOOTS

REFERENCE NUMBER

TITLE  
ABACUS RANGE

PART NAME

DRAWING TITLE  
ROD SPACING

NOTES

MATERIAL

FINISH

DRAWN BY  
SF

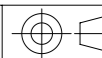
DATE (DD/MM/YYYY)  
1/08/2022

SHEET 1 OF 1

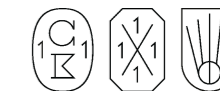
SCALE  
1:10

PAGE SIZE  
A3

REVISION  
01



DIMENSIONS ARE IN MILLIMETERS UNLESS OTHERWISE SPECIFIED



CHRISTOPHER BOOTS

twentieth

© THIS DRAWING DOCUMENT IS THE PROPERTY OF CHRISTOPHER BOOTS. IT MUST NOT BE COPIED, LOANED OR REPRODUCED IN ANY WAY, IN PART OR WHOLE WITHOUT PRIOR WRITTEN CONSENT. 2021 ALL RIGHTS RESERVED.