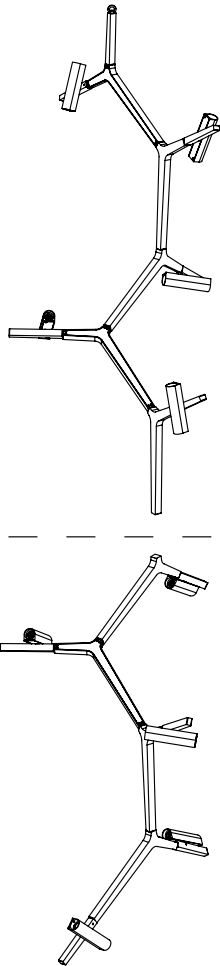
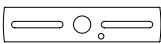
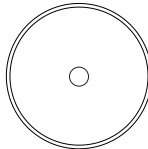
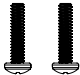









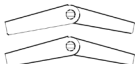









CONTENTS

Agnes 20 Cascade
 Chandelier (2 halves)



Crossbar 	Canopy 	#8-32 Screws (2) 	Insert 
3-32 Allen Key 	Wire Connectors (2) 	1/4 IPS Nipple 	Steel dowels (2) (+1 extra) 
Hangstraight 	Hook (2) 	Bulbs (20) 	Lock-washer 
(x2) Toggle anchor On 240V fixtures only 	Nut 	Glass Diffusers (20) 	Washers (2) 
(x2) Wood screw On 240V fixtures only 	(x2) Long 8-32 screw On 240V fixtures only 	(x2) Metal screw On 240V fixtures only 	
Stem and Threaded Tube 			

SAFETY INFORMATION

Only one light bulb per socket.
 Only suitable for direct mounting on non-combustible surfaces.
 Under no circumstances can this fixture be mounted on normally flammable surfaces.
 Suitable for dry, indoor use only.
 Maximum ambient temperatures: 25° C

Y-BODY CONNECTION | AGNES

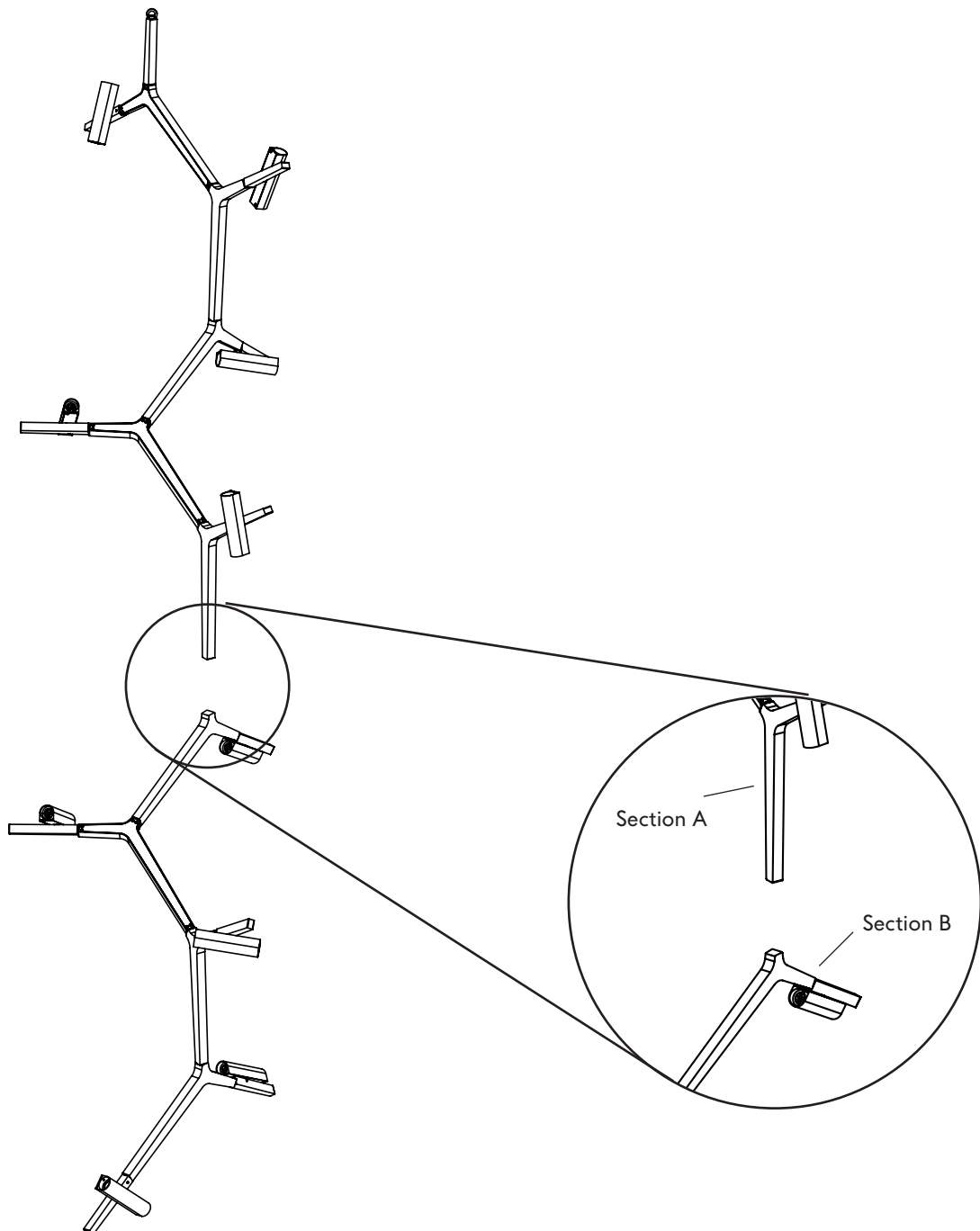
Note: Contact a licensed electrician.

Note: Do not use bulbs that exceed 25 watts.

01. Lay out Section A and Section B in the orientation shown below.

The open ends of the y-bodies should be facing each other in order to make this connection.

NOTE: This page shows the orientation of the x2 Sections (A+B) that make up the overall fixture. The following pages show steps on making the connection, but keep the orientation shown on this page.



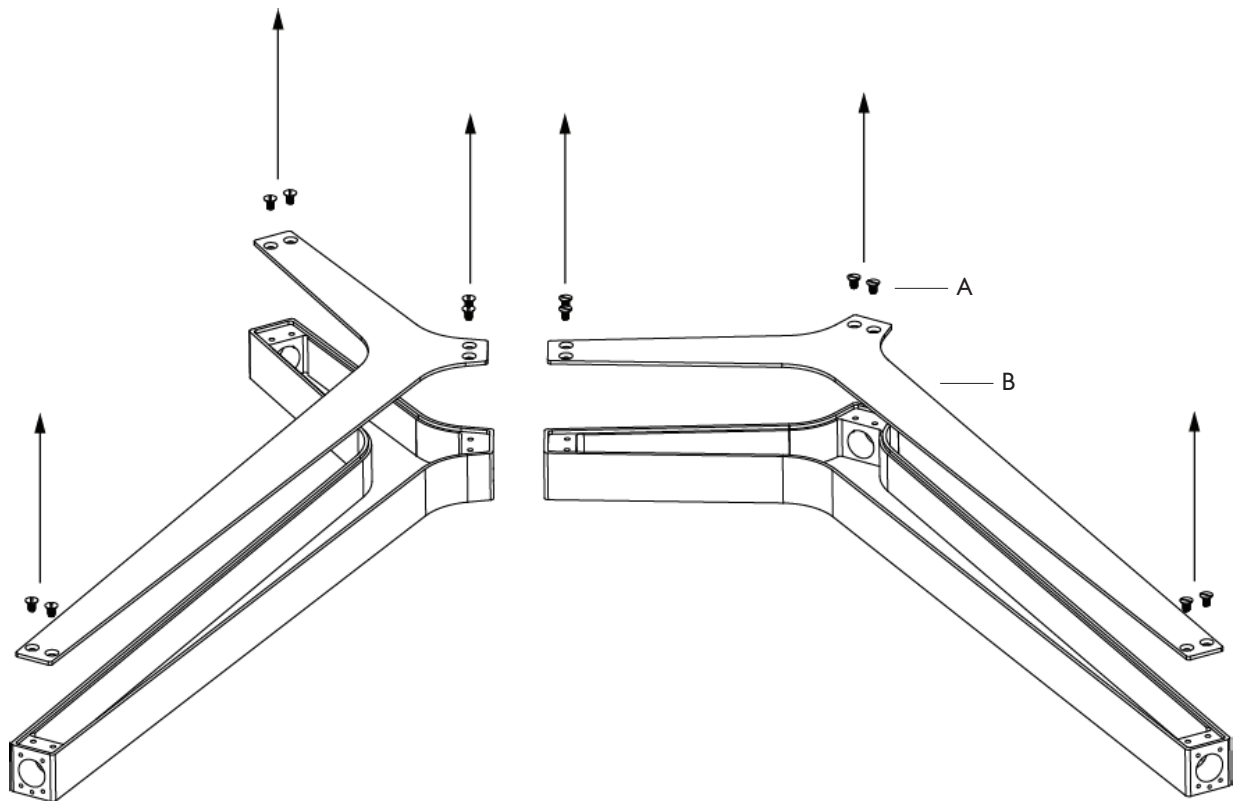
Y-BODY CONNECTION | AGNES

Note: Contact a licensed electrician.

Note: Do not use bulbs that exceed 25 watts.

02. Remove #4-40 screws (A) and Y-body covers (B) and place to the side for later.

NOTE: Maintain orientation shown on page 2



Y-BODY CONNECTION | AGNES

Note: Contact a licensed electrician.

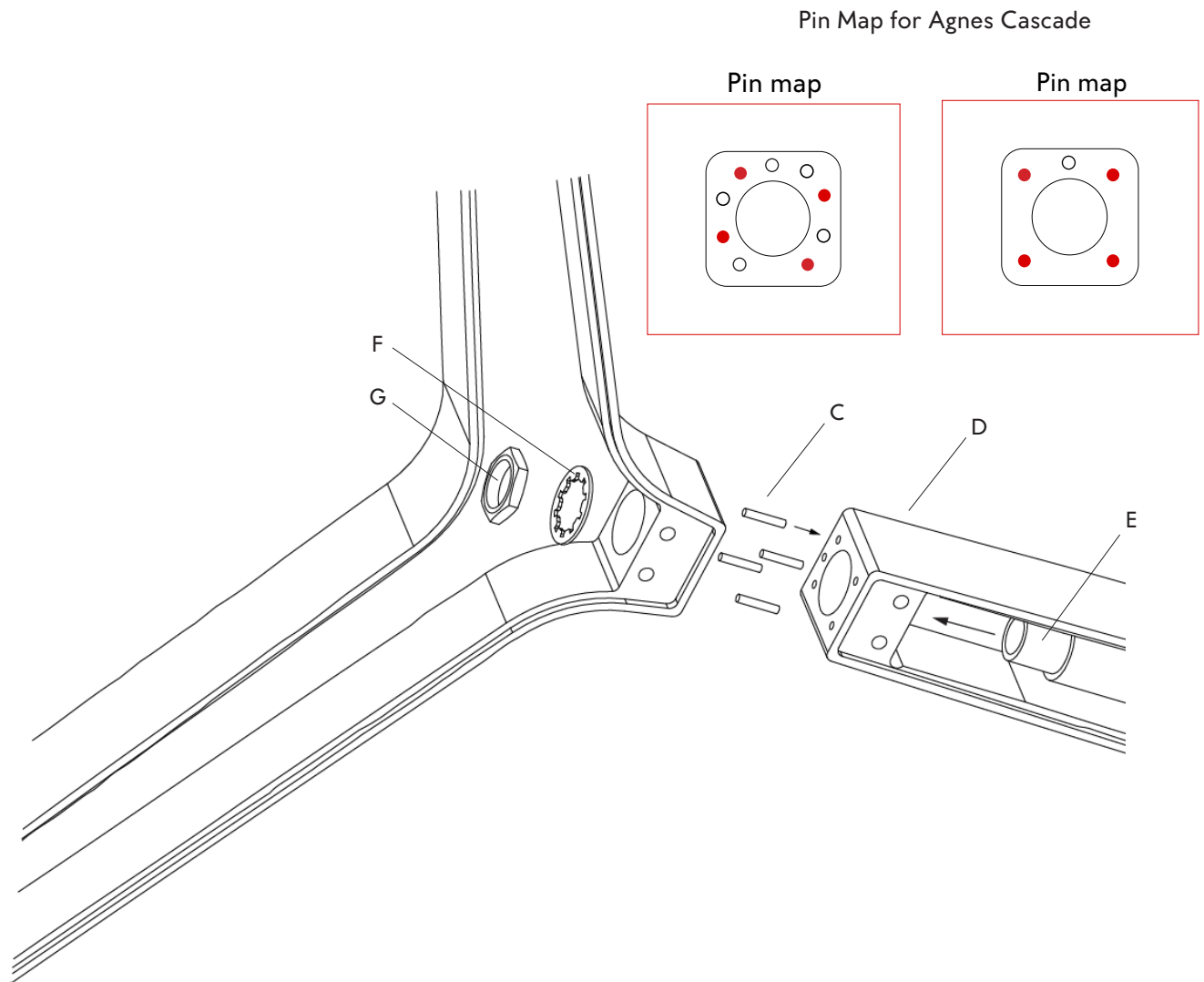
Note: Do not use bulbs that exceed 25 watts.

03. Place registration pins (C) into corresponding holes based on the orientation/rotation of the Y-Bodies shown on page 2. Push Y-Bodies (D) together and hold in place.

04. Push custom bolt (E) through the holes in both Y-Bodies.

05. Add lock washer (F) to custom bolt and tighten with nut (G).

NOTE: Maintain orientation shown on page 2



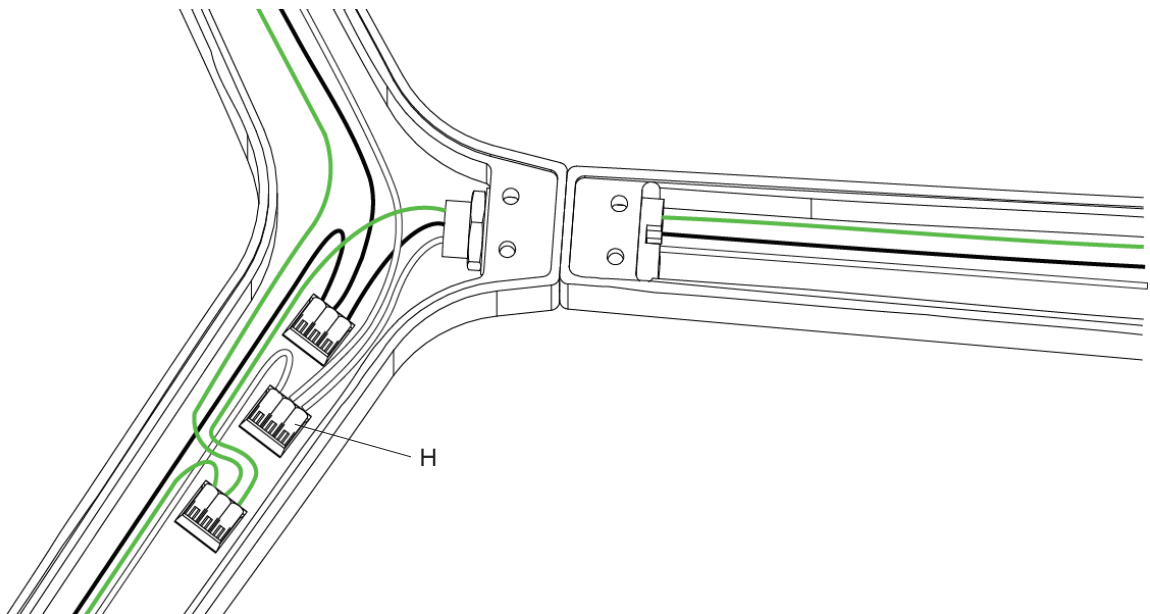
Y-BODY CONNECTION | AGNES

Note: Contact a licensed electrician.

Note: Do not use bulbs that exceed 25 watts.

06. Pass wires through connection. Join corresponding wires using Wago connectors (H) as shown.

NOTE: Maintain orientation shown on page 2



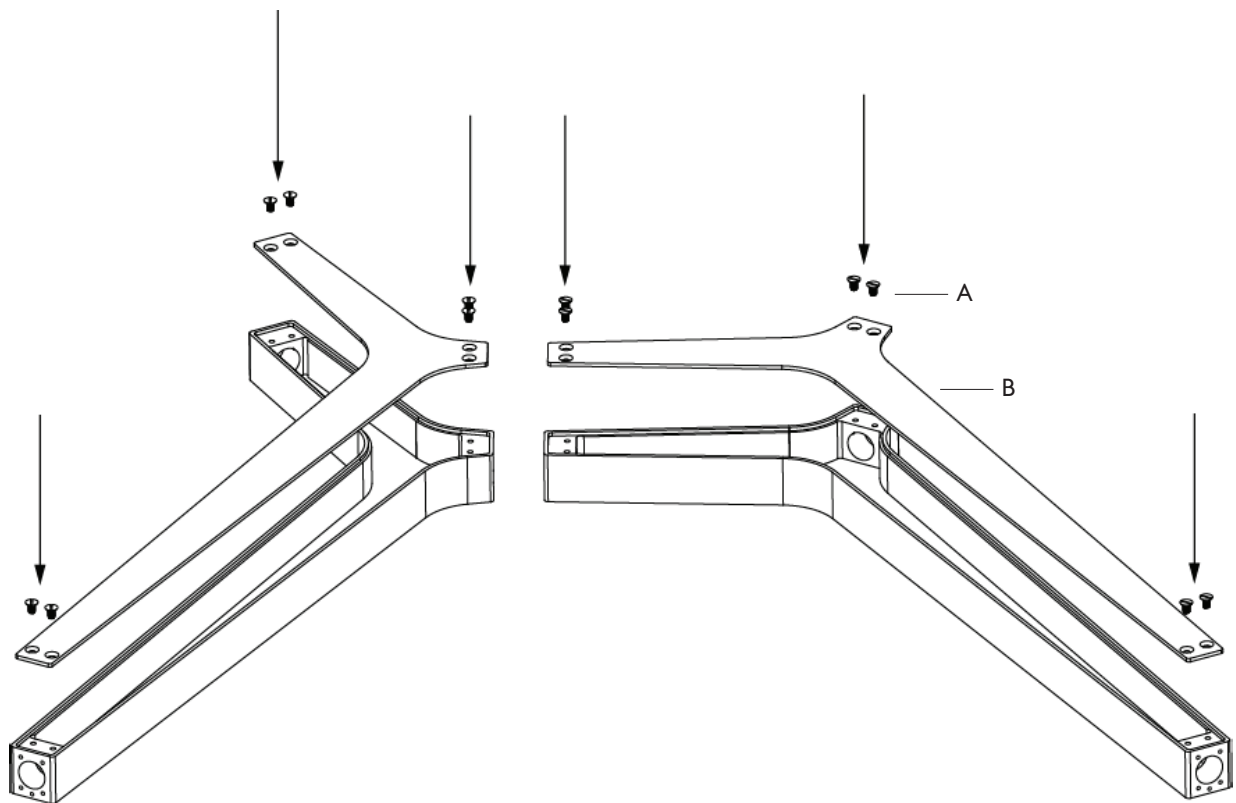
Y-BODY CONNECTION | AGNES

Note: Contact a licensed electrician.

Note: Do not use bulbs that exceed 25 watts.

07. Place Y-body covers (B) back onto Y-Bodies and fasten with #4-40 screws (A) from Step 2.
You now have x1 fixture with x2 drops to continue with the installation.

NOTE: Maintain orientation shown on page 2



STEM ADJUSTMENT | AGNES

Stem and cover tube length adjustment

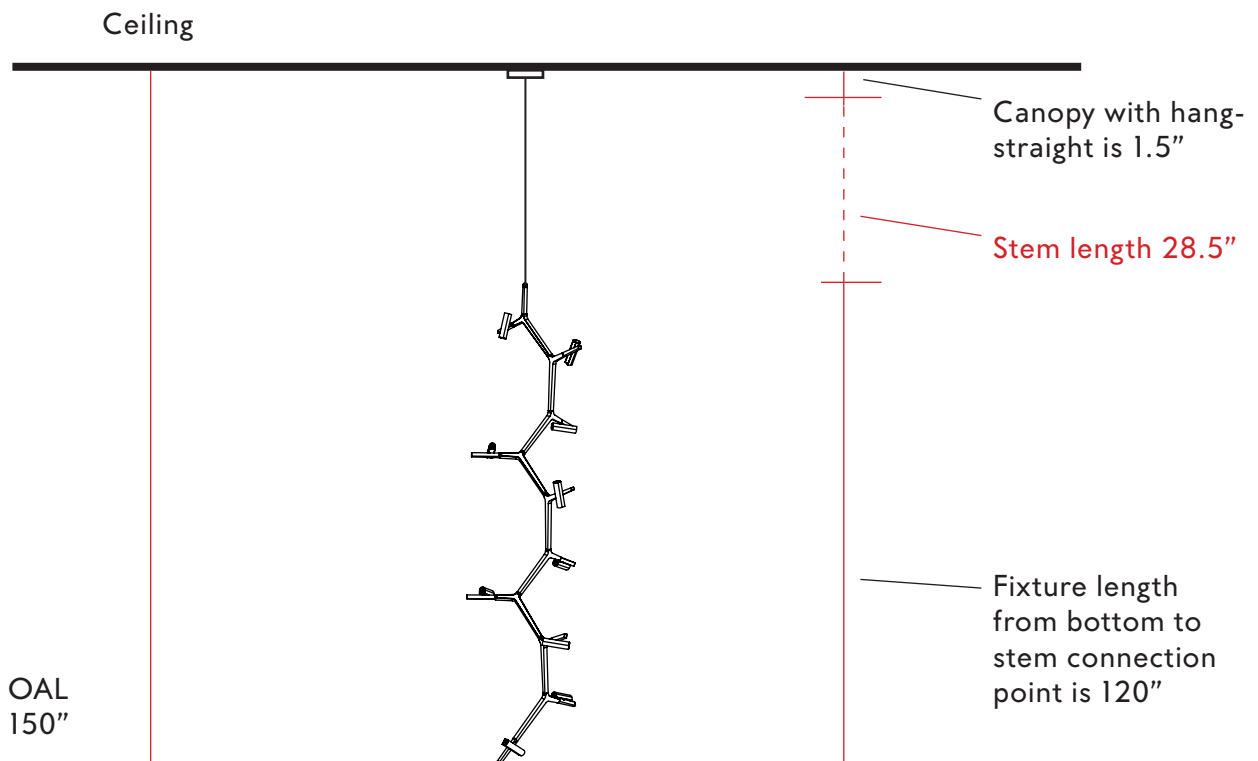
Note: Please contact a licensed electrician.

Example fixture only:

To measure length of stem, first determine overall length (OAL), subtract 1.5" for the canopy with hang-straight height and subtract the fixture height from the OAL. Fixture height is measured from bottom of the fixture to stem connection point. The resulting measurement is the final stem length.

Ex. The fixture below has an OAL of 150" and a fixture height of 120".

150" OAL - 1.5" canopy - 120" fixture height = 28.5" stem



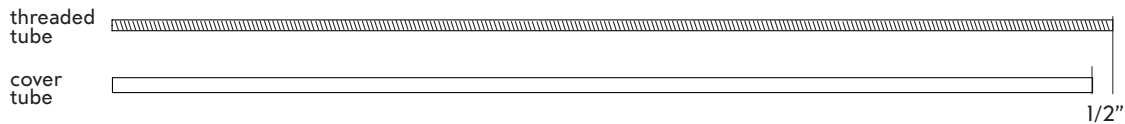
STEM ADJUSTMENT | AGNES

Stem and cover tube length adjustment

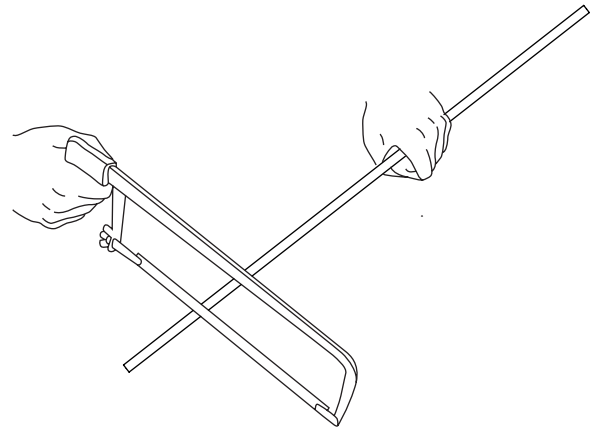
Note: Please contact a licensed electrician.

Example fixture only:

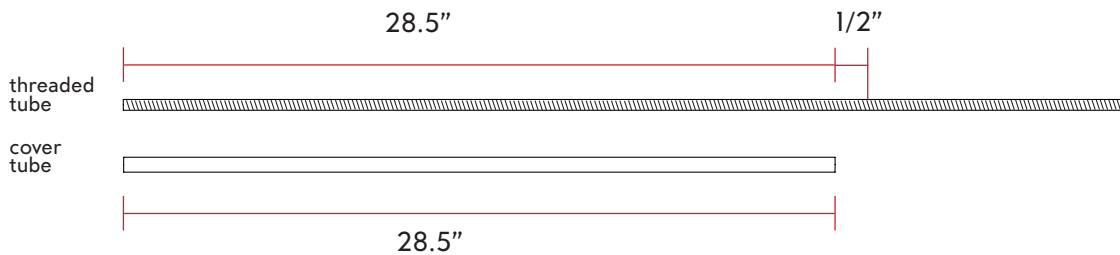
1. To customize the length of the provided stem, cut cover tube to desired length. Then cut the inner threaded tube so that it remains 1/2" longer than the cover tube.



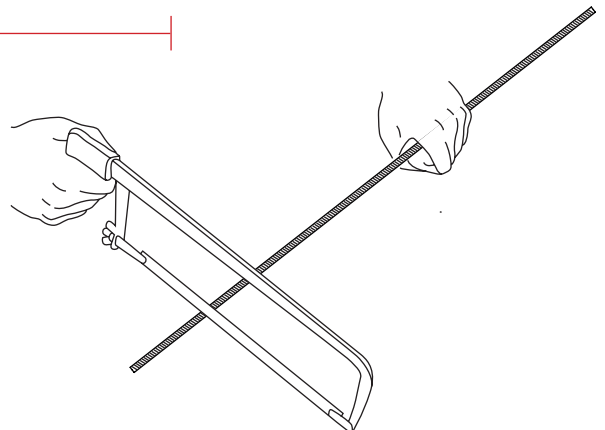
2. Mark the length of the tube required, using a marker or tape. Then hold down the tube with a hand or a clamp, use a hacksaw or electrical tool to cut the tube. Recommended to clean tube after cutting to remove any metal chippings.



3. Now that the cover tube is cut to 28.5", measure the all thread tube to be 28.5 and 1/2" long. And place a mark, with a marker or tape.



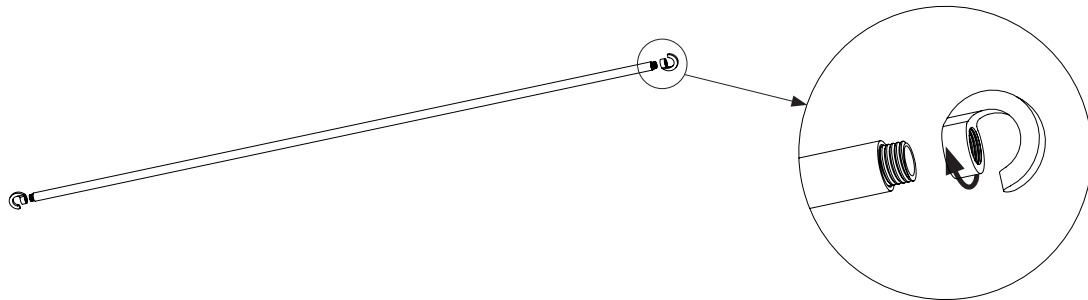
4. Hold down the all thread with a hand or a clamp, use a hacksaw or electrical tool to cut the all thread tube. Recommended to clean all thread tube after cutting to remove any metal chippings.



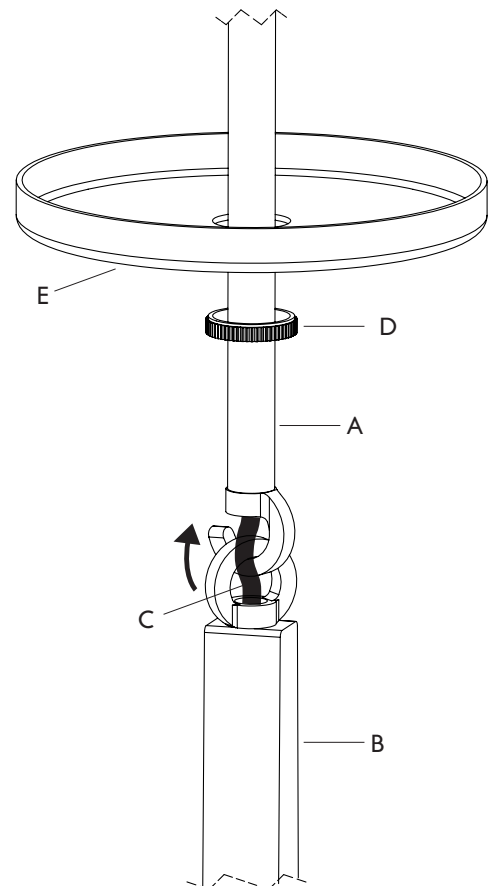
CEILING INSTALLATION | AGNES

*Note: Please contact a licensed electrician.
Note: Do not use bulbs that exceed 25 watts.*

01. To customize the length of the provided 36-inch stem, you may cut to desired length. Then cut the inner all-thread tube to the same length plus 1/2 inch to allow room for threading. Thread the hooks back on to either end of the stem.

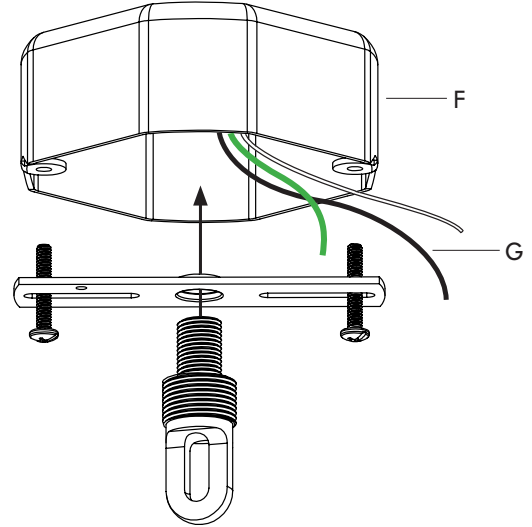


02. Attach the stem (A) to the lighting fixture (B) using the hook and loop. Feed the black lead wire (C) up from the fixture through the stem.
03. Slide the hangstraight nut (D) and then the canopy (E) onto the stem.

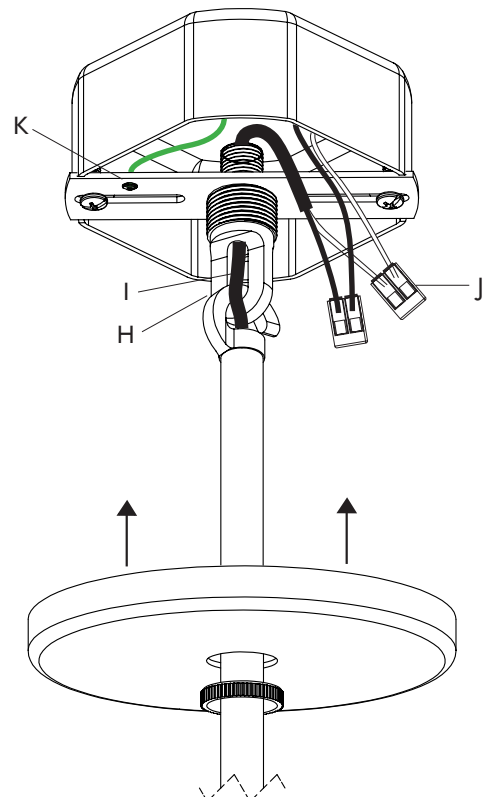


CEILING INSTALLATION | AGNES

04. Install the crossbar using #8-32 screws to junction box (F). It is recommended to pull the main wires out so they are accessible while making the main connection later (G).
05. Once the crossbar is secure, screw the 1/4 IPS nipple into the hangstraight and then into the crossbar.



06. Carefully lift the fixture and secure the opposite hook on the stem to the hangstraight loop (H). Note that the hangstraight nut and canopy are not attached at this point and hang below the junction box connection. This will allow you to make the lead connections.

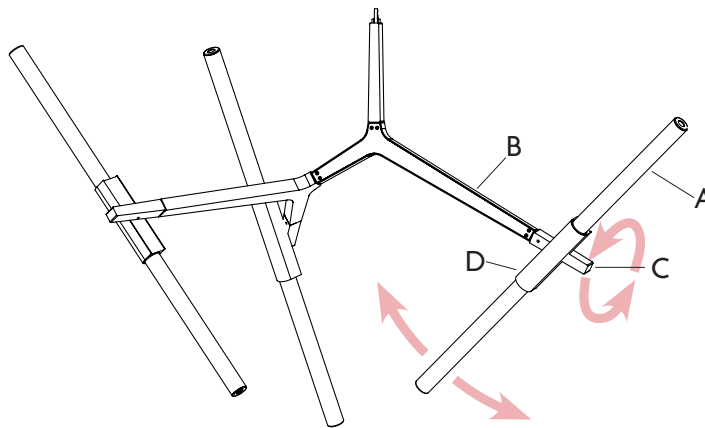


07. Once the fixture is secured to the hangstraight, guide the lead from the stem through the hangstraight into the junction box (I). Strip the wires and make the connections to the leads in the ceiling (J). Attach the green ground wire to the crossbar with the ground screw (K).
08. Tuck the connected wires into the junction box and raise the canopy and hangstraight nut. Thread the nut onto the hangstraight, tightening the canopy flush to the ceiling.

ROTATING THE TIPS | AGNES

Note: Make sure to power off fixture and allow bulbs and metal arms to cool.

01. To change angle of the glass (A), hold fixture steady by gripping the Y Body (B) with one hand, and carefully rotate the Tip (C) with the other. The tip rotates up to 270°.
02. For further adjustment, hold the tip steady with one hand and carefully twist the cup (D) with the other. The cup rotates up to 90°.



CHANGING THE BULBS | AGNES

Note: Make sure to power off fixture and allow bulbs and metal arms to cool.

01. Carefully unscrew glass (A) from metal cups (D) in counterclockwise direction.
02. Pull the bulb out of the socket and replace.

