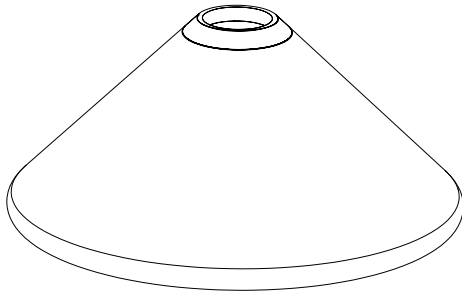
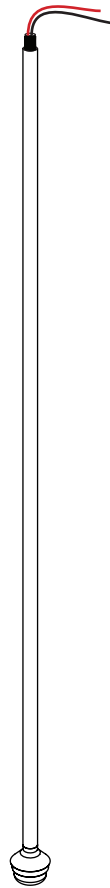


CONTENTS

(x1) Apolo glass



Cover tube with threaded rod and LED socket



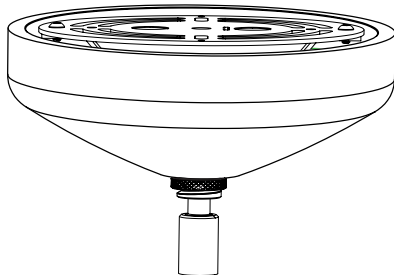
(x7) Wago Connector



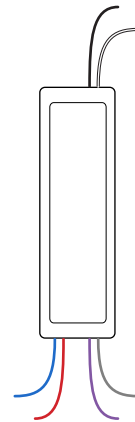
(x2) 8-32 Screw



(x1) Canopy with Crossbar assembly



(x1) Driver



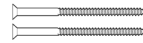
(x2) Metal screw
 On 240V fixtures only



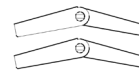
(x2) Long 8-32 screw
 On 240V fixtures only



(x2) Wood screw
 On 240V fixtures only



(x2) Toggle anchor
 On 240V fixtures only



SAFETY INFORMATION

Suitable for damp locations
 Maximum ambient temperature: 25°C

APOLLO PENDANT-STEM | INSTALLATION

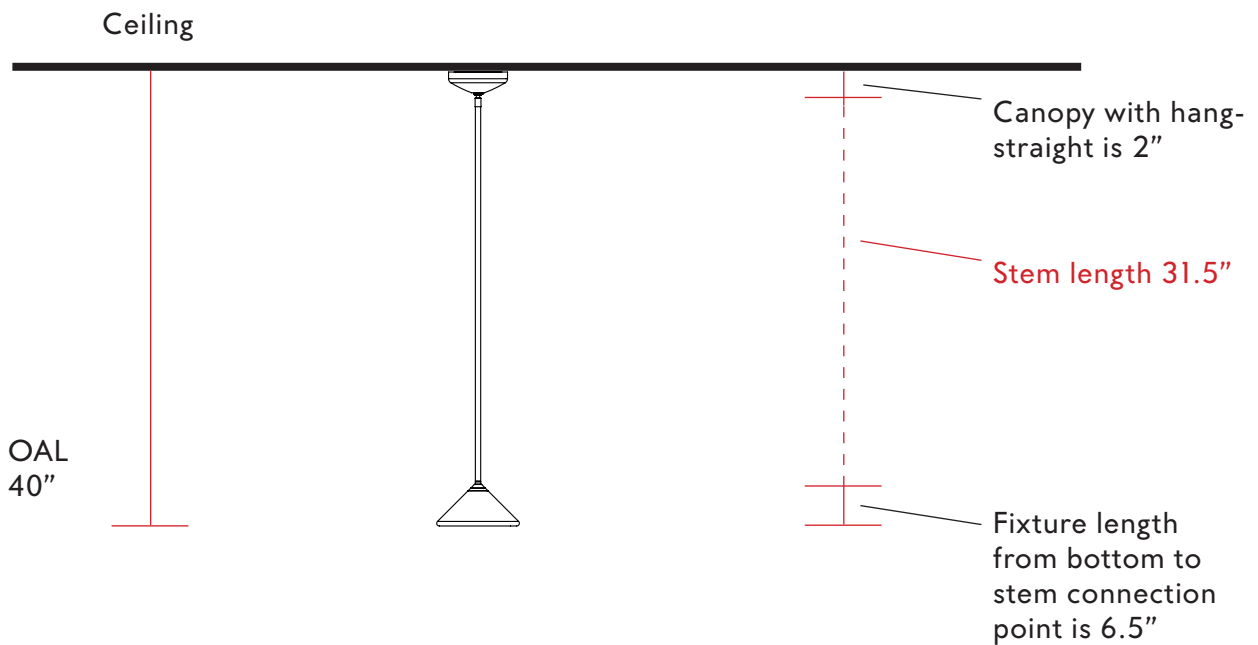
Stem and cover tube length adjustment

Note: Please contact a licensed electrician.

Example fixture only:

To measure length of stem, first determine overall length (OAL), subtract 3" for the canopy with hang-straight height and subtract the fixture height from the OAL. Fixture height is measured from bottom of the fixture to stem connection point. The resulting measurement is the final stem length.

Ex. The fixture below has an OAL of 40" and a fixture height of 6.5".
 $40'' \text{ OAL} - 2'' \text{ canopy} - 6.5'' \text{ fixture height} = 31.5'' \text{ stem}$



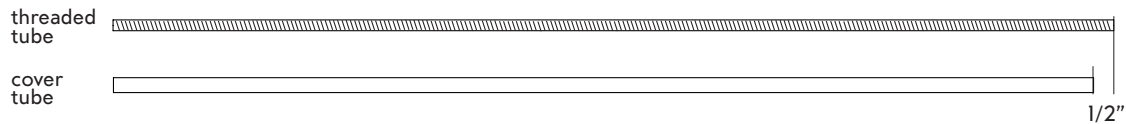
APOLLO PENDANT-STEM | INSTALLATION

Stem and cover tube length adjustment

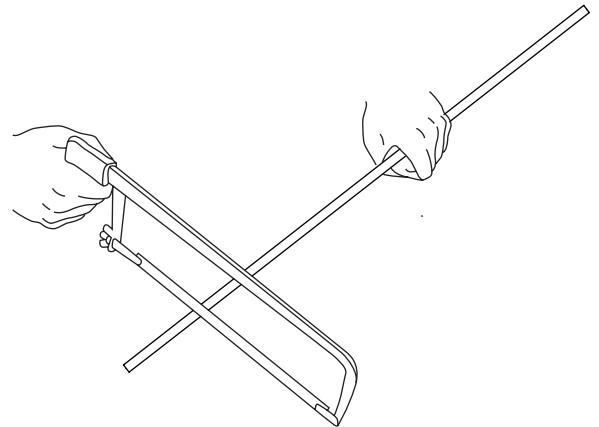
Note: Please contact a licensed electrician.

Example fixture only:

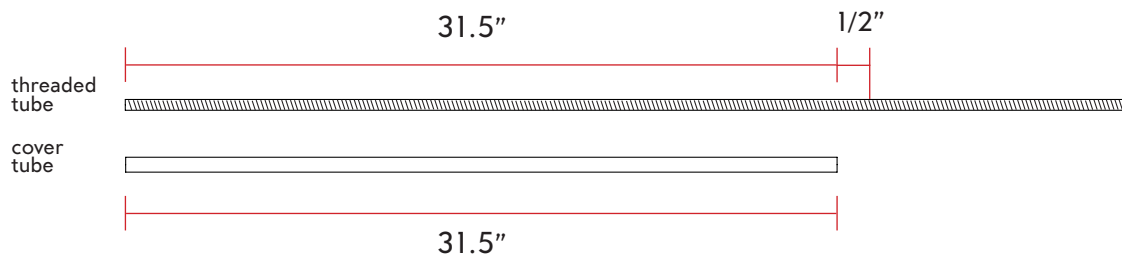
1. To customize the length of the provided stem, cut cover tube to desired length. Then cut the inner threaded tube so that it remains 1/2" longer than the cover tube.



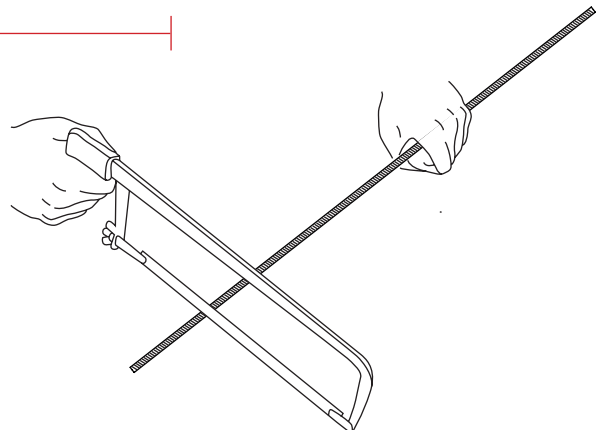
2. Mark the length of the tube required, using a marker or tape. Then hold down the tube with a hand or a clamp, use a hacksaw or electrical tool to cut the tube. Recommended to clean tube after cutting to remove any metal chippings.



3. Now that the cover tube is cut to 31.5", measure the all thread tube to be 31.5 and 1/2" long. And place a mark, with a marker or tape.



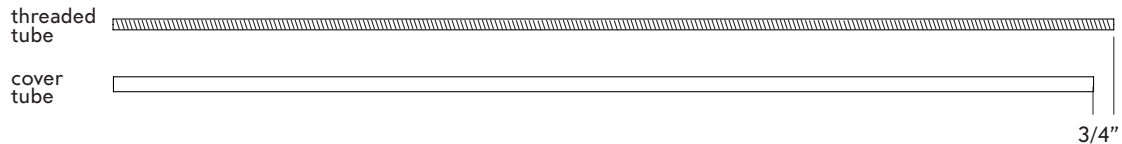
4. Hold down the all thread with a hand or a clamp, use a hacksaw or electrical tool to cut the all thread tube. Recommended to clean all thread tube after cutting to remove any metal chippings.



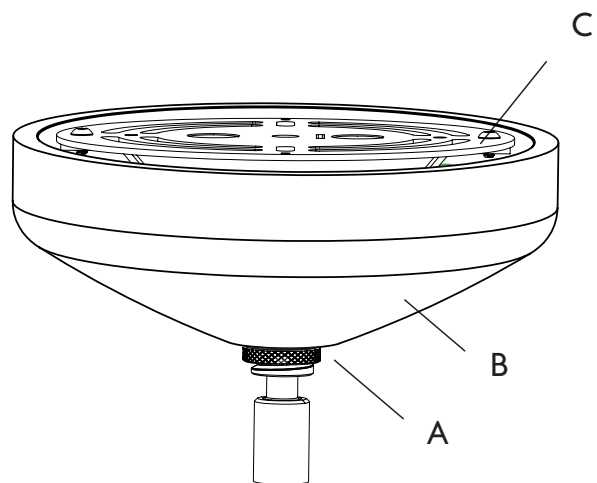
APOLLO PENDANT-STEM | INSTALLATION

Note: Please contact a licensed electrician for installation. Ensure power is off during installation.

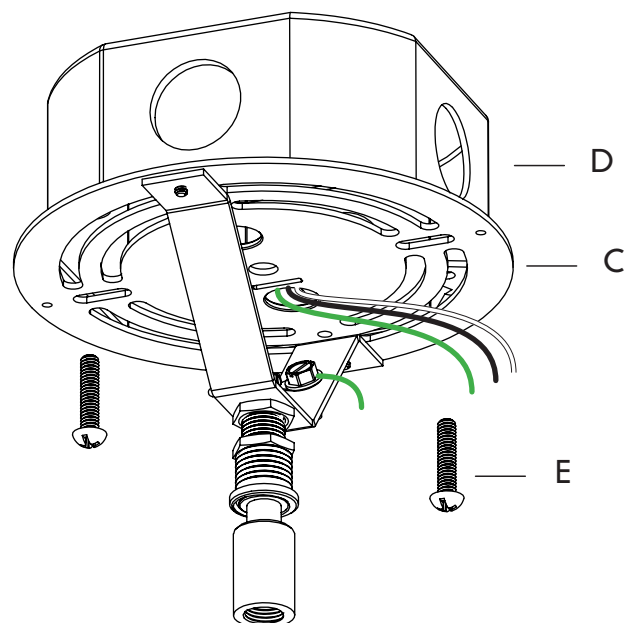
01. To customize the length of the provided 36-inch stem, cut cover tube to desired length. Then cut the inner threaded tube so that it remains 3/4" longer than the cover tube.



02. Unscrew the hang-straight nut (A) from the canopy (B) with crossbar assembly (C).

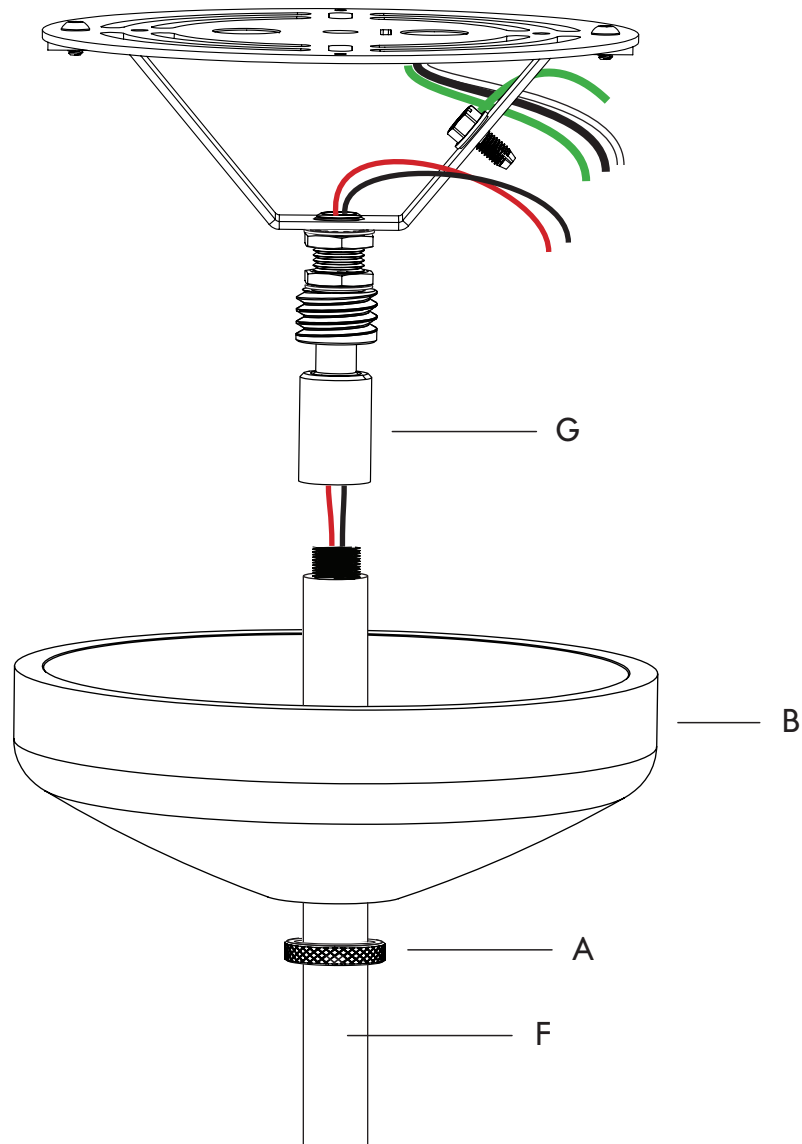


03. Raise the crossbar assembly (C) to junction box (D), and secure with #8-32 screws (E). Be sure to pull out the wires from the junction box, through the hole in the cross bar.



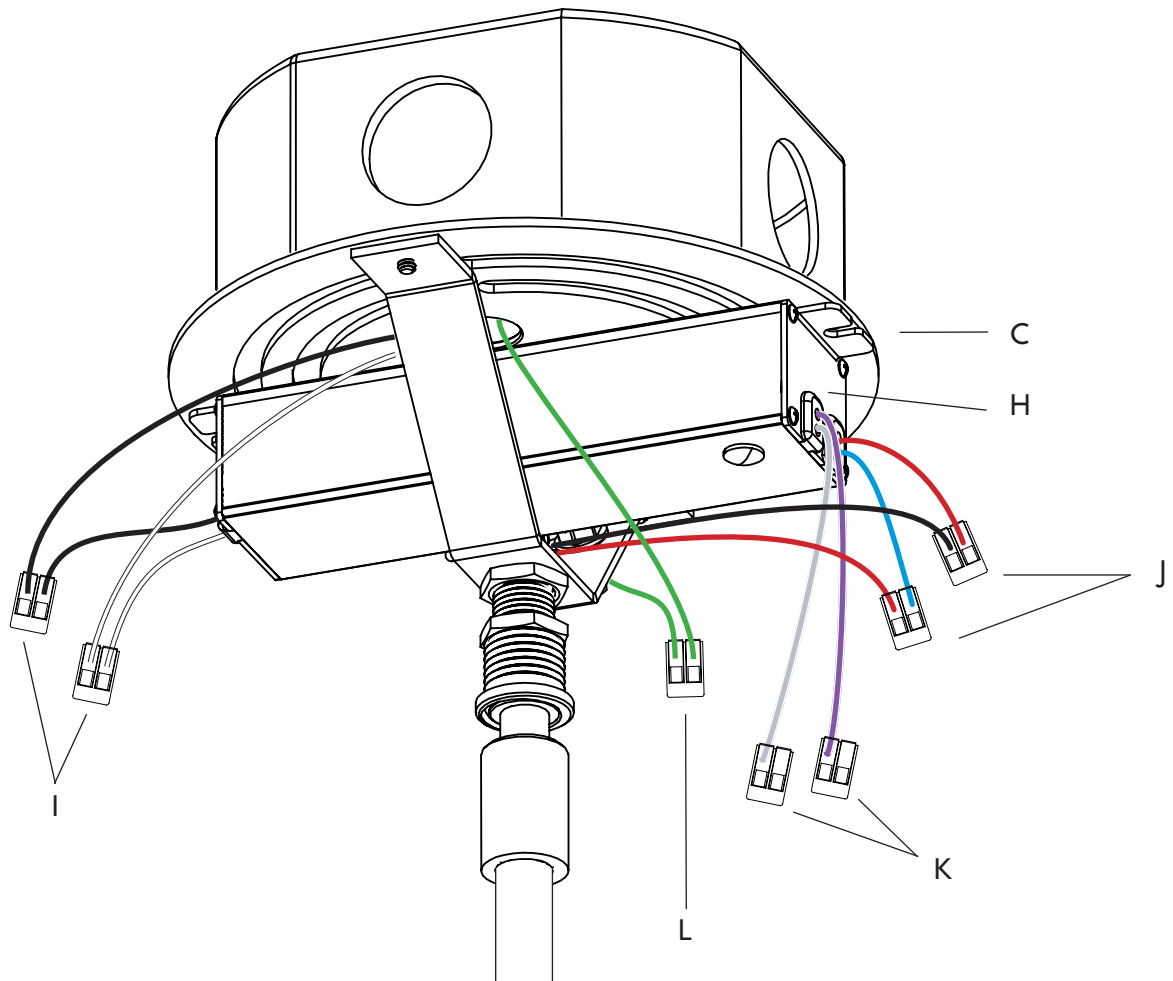
APOLLO PENDANT-STEM | INSTALLATION

04. Slide the hang-straight nut (A) and canopy (B) down the stem (F).
05. Then feed the black and red wires from the fixture, through the hang-straight (G), and screw in the threaded stem into hang-straight.



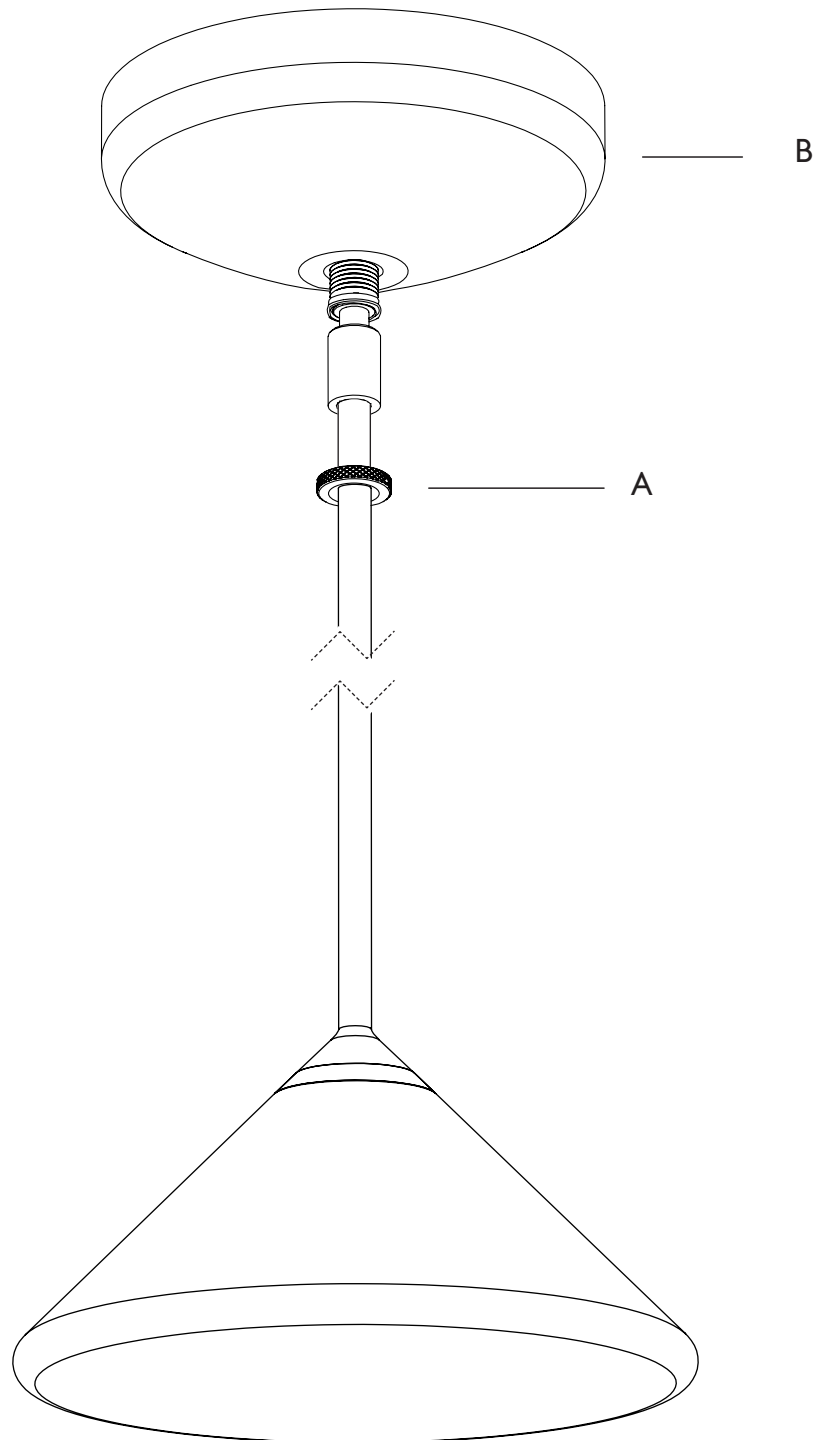
APOLLO PENDANT-STEM | INSTALLATION

06. Fit the driver (H) into the space in the crossbar assembly (C).
07. Make the electrical connections between the lead AC wires and the driver using the provided wago connectors (I).
08. Connect the secondary wires to the fixture using the provided wago connectors (J)
(Optional: Connect the 0-10V dimming wires (K) as needed)
09. Connect the ground wire (L) with the provided wago connector.
10. Tuck all wires into the crossbar assembly.



APOLLO PENDANT-STEM | INSTALLATION

11. Once all the wires are connected and tucked in, raise the canopy (B) over the crossbar assembly, and secure it with the hang-straight nut (A).



APOLLO PENDANT-STEM | INSTALLATION

12. Then carefully thread the glass diffuser (M) onto the stem with LED.

