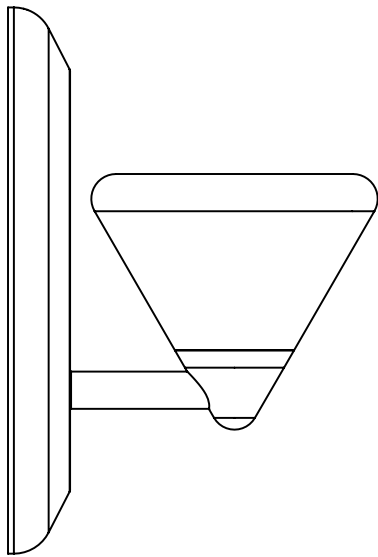


## CONTENTS

Apollo Sconce  
 (120V)



(x2) 8-32 J box Screw



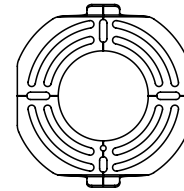
(x5) Wago Connector



8-32 Set Screw



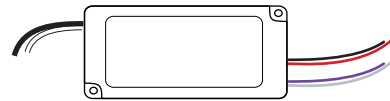
Crossbar



Hex Key



Driver



## SAFETY INFORMATION

Suitable for dry, indoor use only.

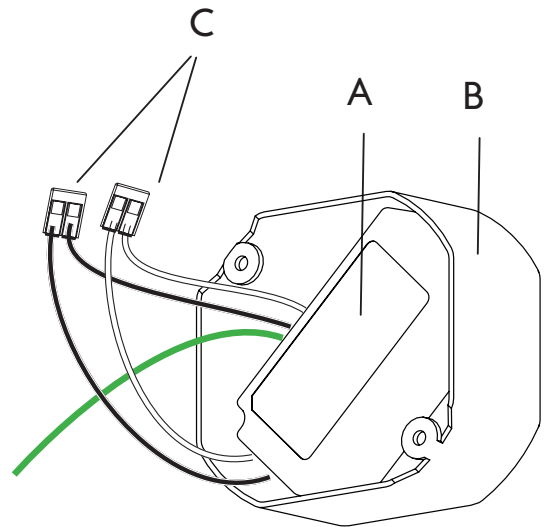
Maximum ambient temperature: 25°C

The light source contained in this luminaire shall only be replaced by the manufacturer or his service agent or a similar qualified person.

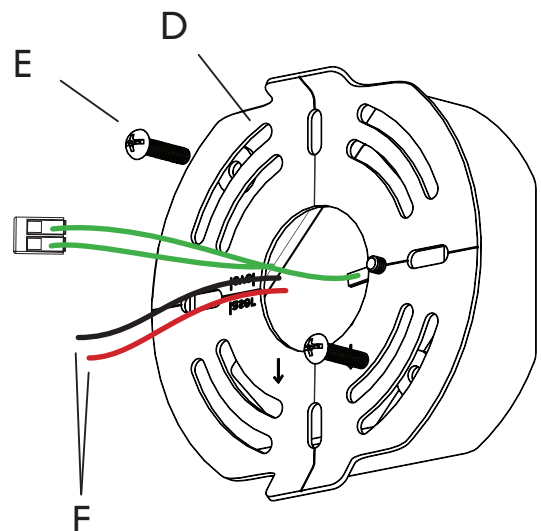
## APOLLO SCONCE (120V) | INSTALLATION

*Note: Please contact a licensed electrician.*

01. Install the driver (A) into the junction box (B) and connect the live wire connections (C) to the driver using the wago connectors.



02. Ground the crossbar (D) to the junction box using the wago connector. Mount the crossbar to the junction box using the provided #8-32 screws (E).

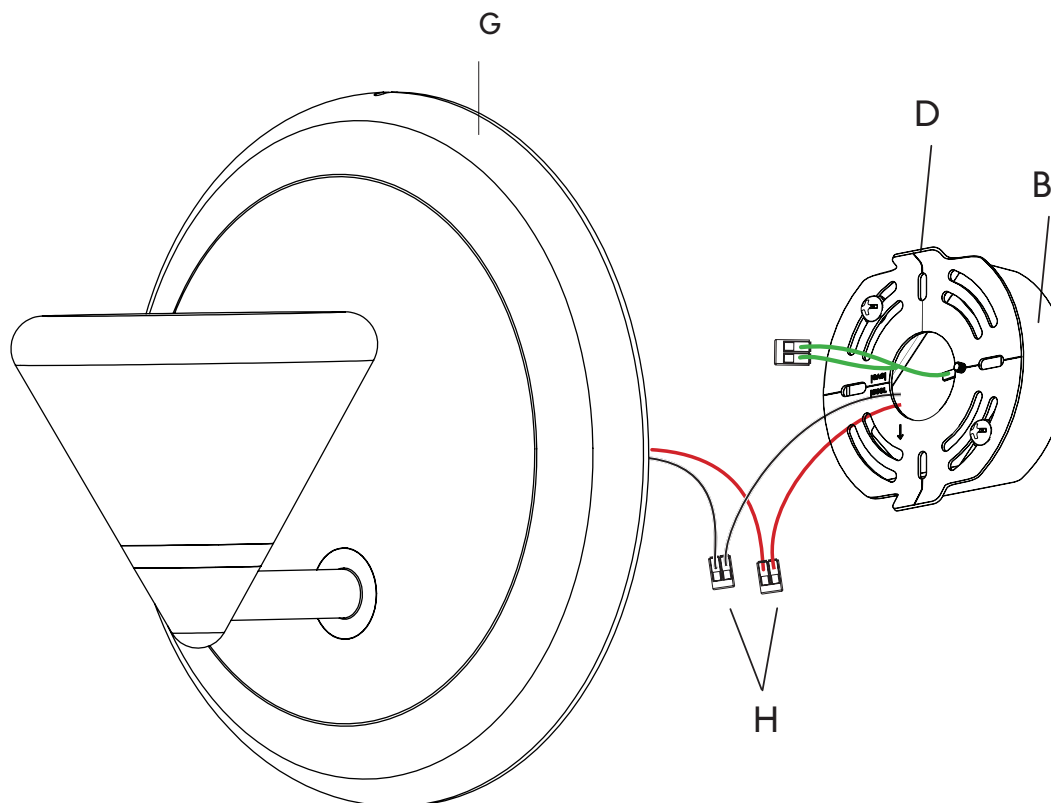


03. Pull the output driver wires (F).

## APOLLO SCONCE (120V) | INSTALLATION

---

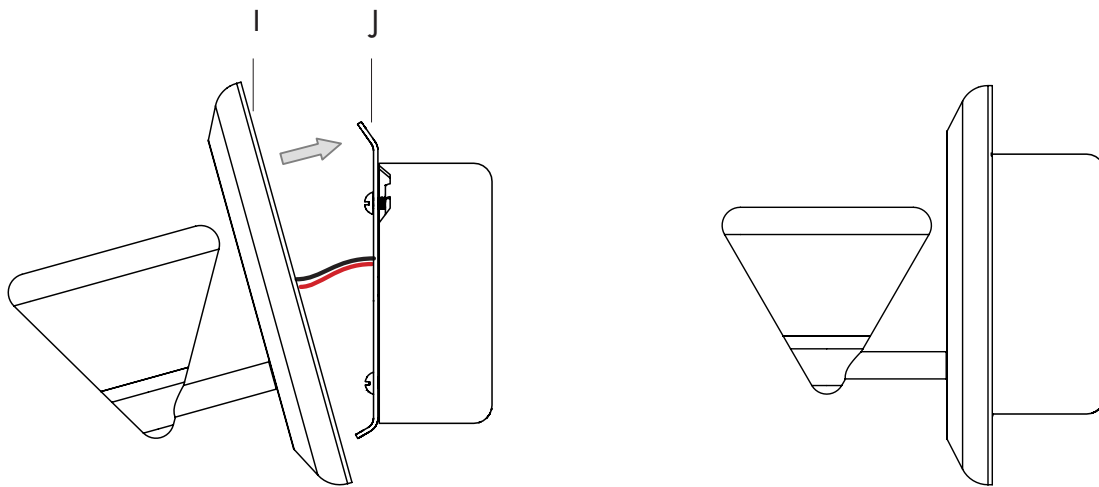
04. Carefully hold fixture (G) to crossbar (D) and make secondary wire (H) connections. Push wire connectors back through center hole of crossbar into junction box (B).



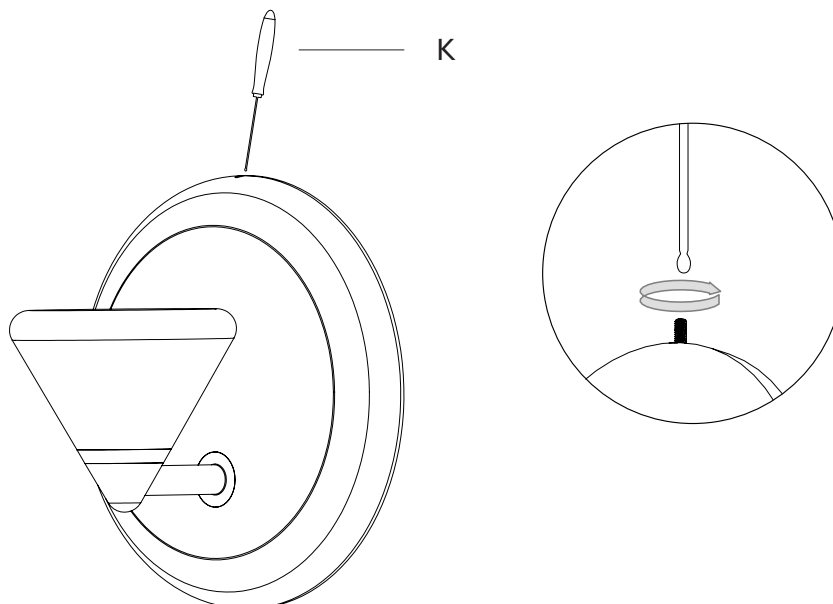
## APOLLO SCONCE (120V) | INSTALLATION

---

05. Tuck all the wire connections inside the junction box and hook the fixture backplate (I) onto the french cleat of the crossbar (J).

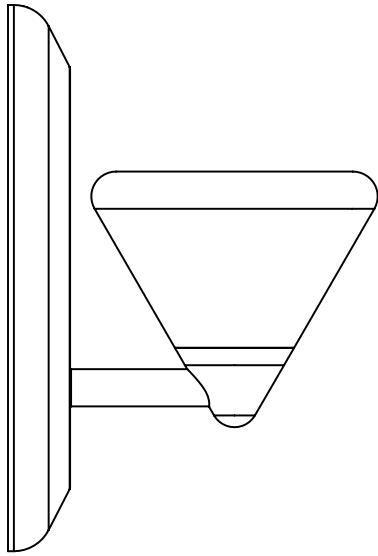


06. Once the fixture assembly is resting in place, use the provided Hex Key (K) to tighten the top set screw to the crossbar until the backplate is secured.



## CONTENTS

Apollo Sconce  
 (240V)



(x4) 8-32 Screws



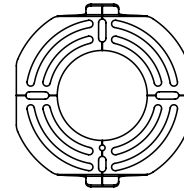
(x5) Wago Connector



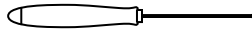
8-32 Set Screw



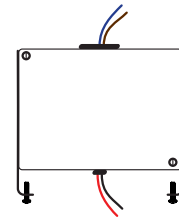
Crossbar



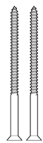
Hex Key



Driver Box



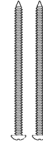
(x4) Wood screw



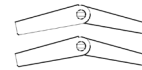
(x4) Long 8-32 screw



(x4) Metal screw



(x4) Toggle anchor



## SAFETY INFORMATION

Suitable for dry, indoor use only.

Maximum ambient temperature: 25°C

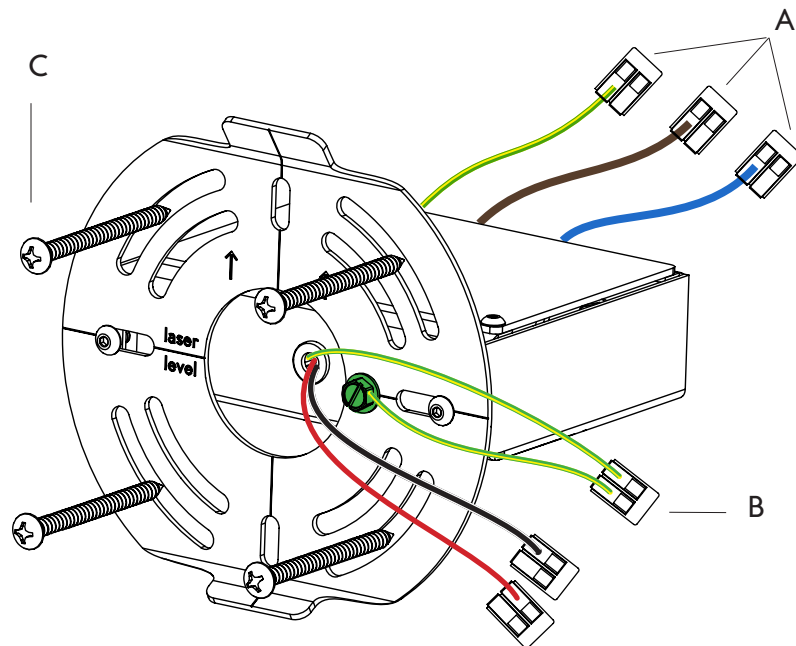
The light source contained in this luminaire shall only be replaced by the manufacturer or his service agent or a similar qualified person.

## APOLLO SCONCE (240V) | INSTALLATION

---

*Note: Please contact a licensed electrician.*

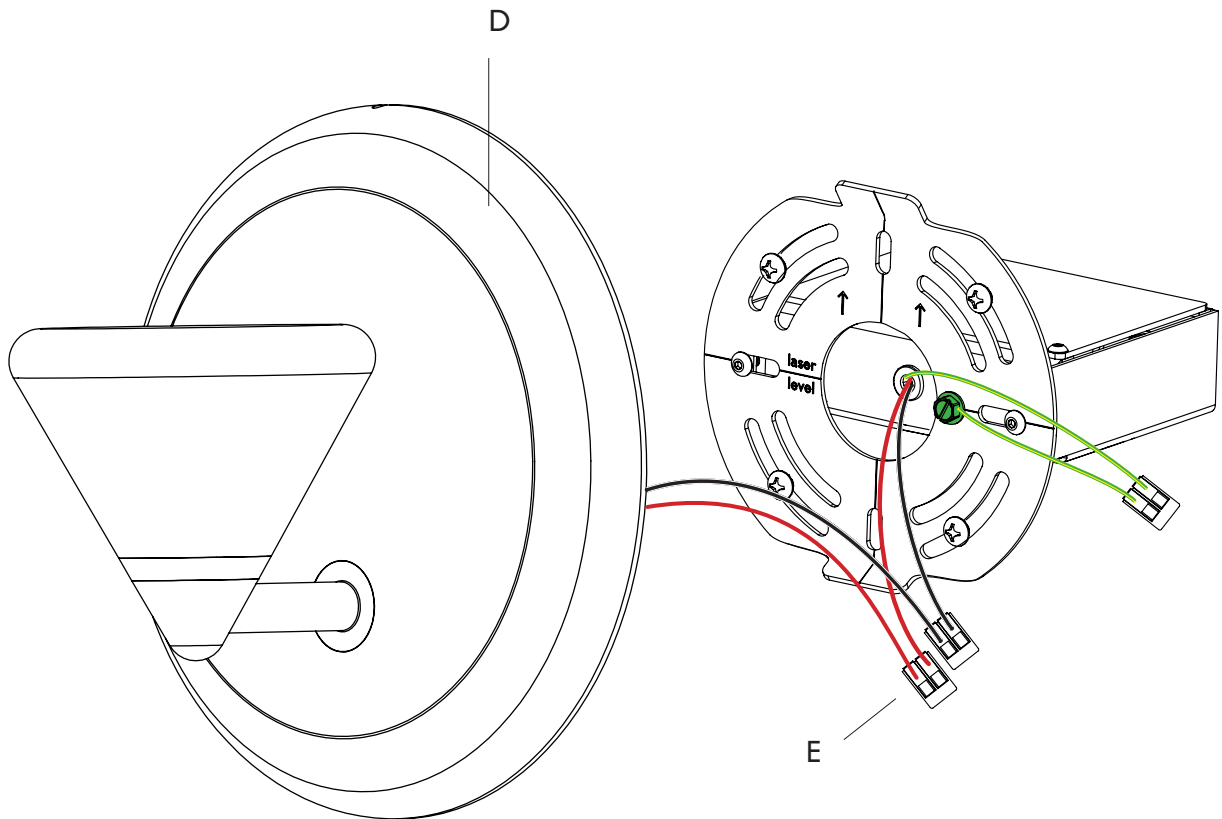
01. Connect the lead wires (A) to the power supply wires.
02. Ground the crossbar assembly through the back of the driver box using the wago connector (B).
03. Mount the crossbar to the wall using the provided screws (C).



## APOLLO SCONCE (240V) | INSTALLATION

---

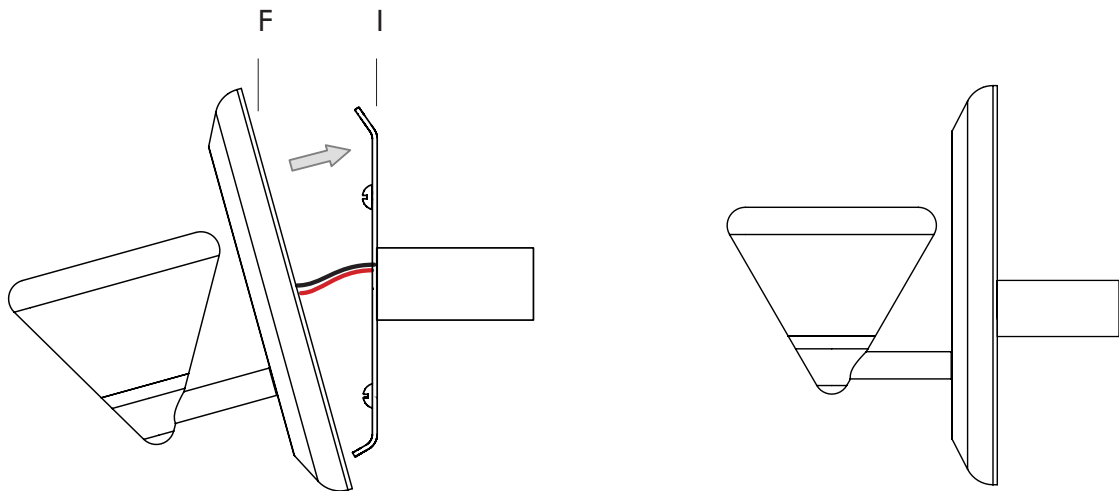
04. Carefully hold the fixture assembly (D) up to the crossbar. Make the secondary wire connections between the driver wires and the fixture wires (E).



## APOLLO SCONCE (240V) | INSTALLATION

---

05. Tuck all the wire connections inside the junction box and hook the fixture backplate (F) onto the french cleat of the crossbar (I).



06. Once the fixture assembly is resting in place, use the provided Hex Key (G) to tighten the top set screw to the crossbar until the backplate is secured.

