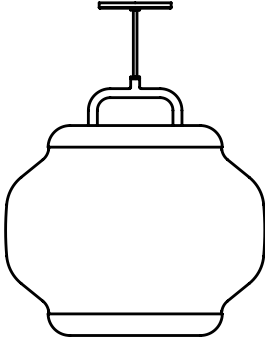


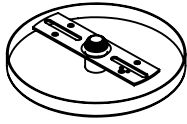
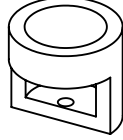
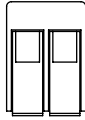


CONTENTS

<p>Pendant 2</p> 	<p>#8-32 Screws (2)</p> 	<p>Compression sleeve (1)</p> 
<p>Canopy Assembly</p> 	<p>Strain Relief</p> 	<p>Wago Connector (3)</p> 

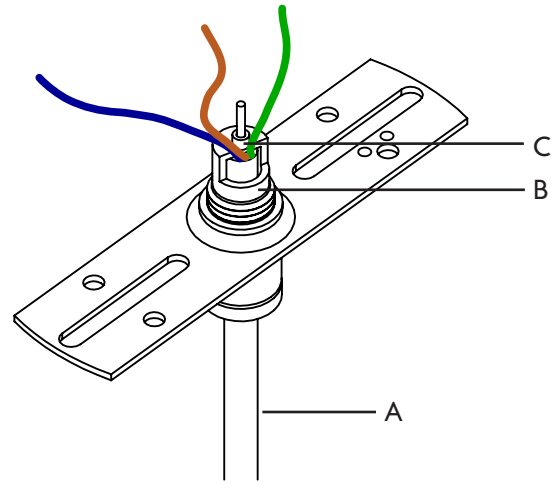
SAFETY INFORMATION

Only suitable for direct mounting on non-combustible surfaces.
 Under no circumstances can Esper Pendants be mounted on normally flammable surfaces.
 Suitable for dry, indoor use only.
 Maximum ambient temperature: 25° C
 If the external flexible cable or cord of this luminaire is damaged, it shall be exclusively replaced by Roll & Hill or Roll & Hill's service agent or a similarly qualified person in order to avoid hazard.

CEILING INSTALLATION

Note: Please contact a licensed electrician.

01. Pull power cable (A) through the strain relief (B) and feed the stainless steel aircraft cable through the top hole and crimp with compression sleeve (C)



02. Install crossbar (D) to junction box (E) using #8-32 screws. It is recommended to pull the main wires out so they are accessible while making the main connection later.
03. Connect the green ground (G) wire to the junction box (E)
04. Make final electrical connections(H). Tuck the wires back in to junction box
05. Raise the Canopy (H) flush to the ceiling and secure by threading the inlet bushing (I) into the coupling (J)

