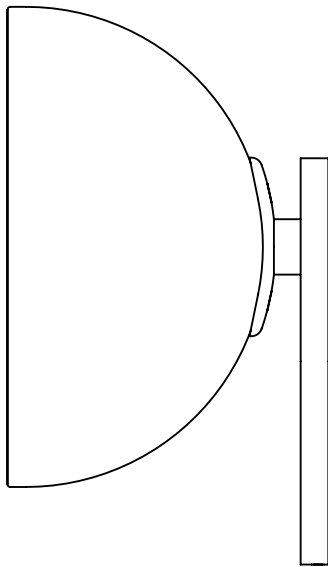


CONTENTS

18AUG2022

Geode Assembly



(x4) 8-32 Screws



(x4) Wago Connector 2



8-32 Set Screw



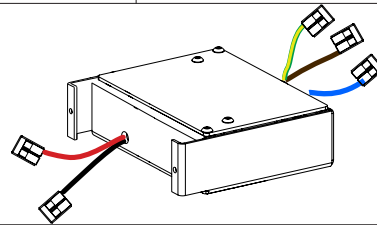
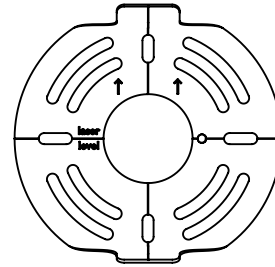
Wago Connector 3



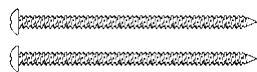
Hex Key



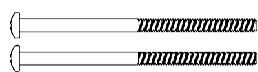
Crossbar



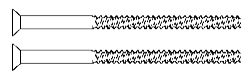
240V screw kit



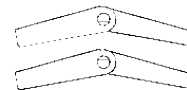
3" #8 wood screws



3" 8-32 pan head screws



3" 18-8 machine screws



8-32 Toggle
 Wing Anchor

SAFETY INFORMATION

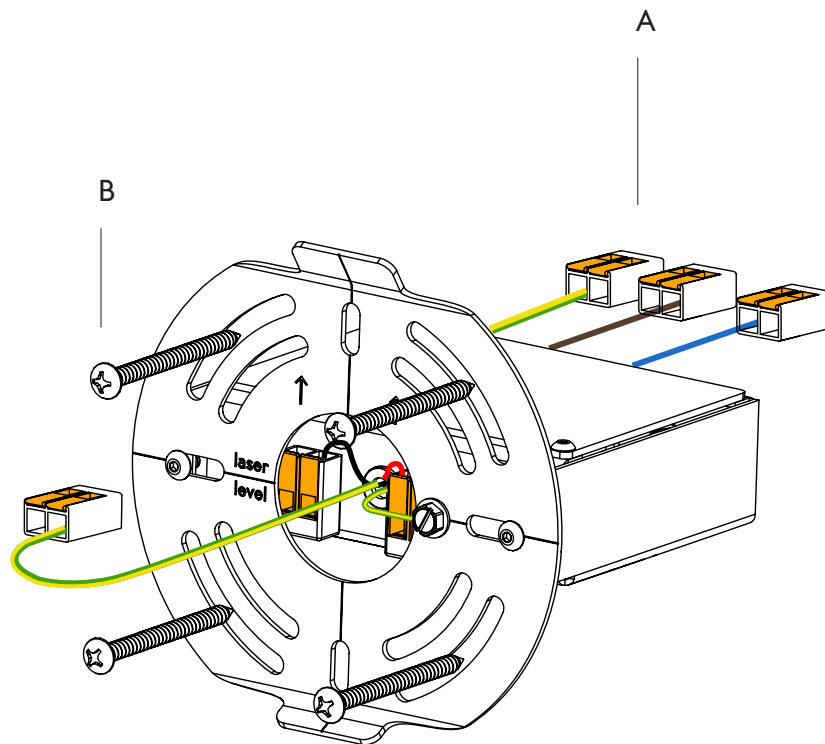
Suitable for dry, indoor use only.

Maximum ambient temperature: 25°C

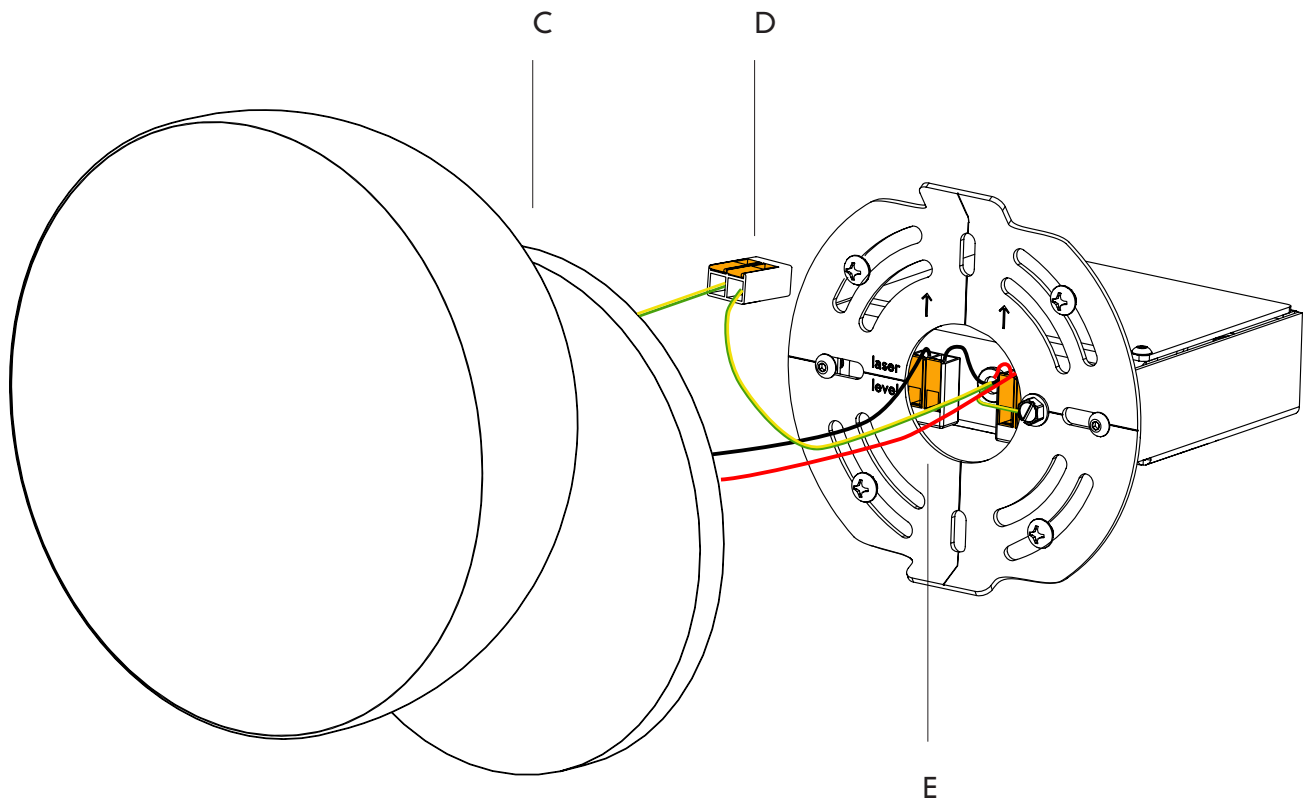
The light source contained in this luminaire shall only be replaced by the manufacturer or his service agent or a similar qualified person.

Note: Please contact a licensed electrician.

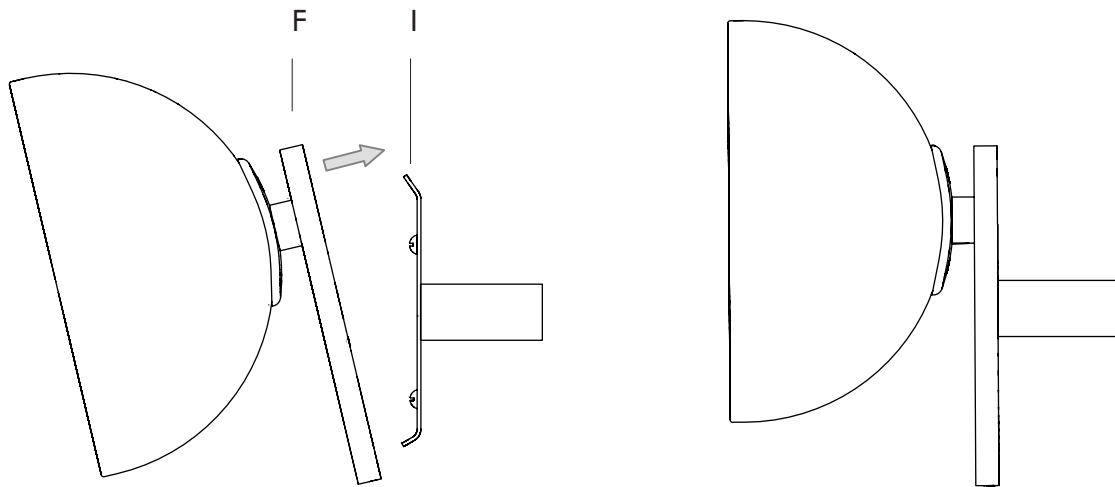
1. Ground the crossbar assembly through the back of the driver box using the wago connector (A).
2. Mount the crossbar to the junction box using the provided 8-32 screws (B).



3. Carefully hold the fixture assembly (C) up to the crossbar . Ground the fixture using the wago connector (D). Make the wire connections between the driver wires and the fixture wires (E).



4. Tuck all the wire connections inside the junction box and hook the fixture backplate (F) onto the french cleat of the crossbar (I).



5. Once the fixture assembly is resting in place, use the provided Hex Key (G) to tight the bottom set screw to the crossbar until the backplate is secured.

