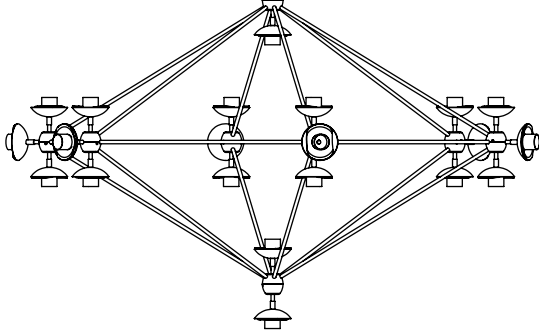
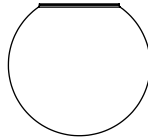
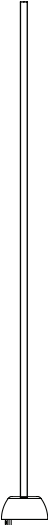
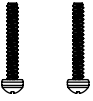
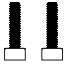
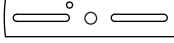

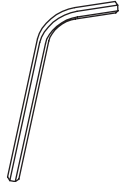
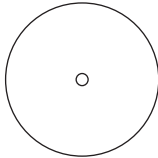



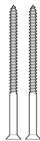
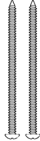
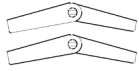


## CONTENTS

<b>Modo 6 Sided - 21 Globes</b> 		<b>Globes (21)</b> 	<b>Stem and Top Hub</b> 
<b>8-32 Screws (2)</b> 	<b>6-32 Socket Screws (2)</b> 	<b>Crossbar</b> 	
<b>Bulbs (21)</b>  <p>120V LED G25 E26 (bulbs included)</p> <p>240V LED G25 E27 (bulbs included)</p>	<b>7-64 Allen Key</b> 	<b>Canopy</b> 	<b>Wago Connector (2)</b> 
			<b>Butt splice</b> On 240V fixtures only 
<b>(x2) Long 8-32 screw</b> On 240V fixtures only 	<b>(x2) Wood screw</b> On 240V fixtures only 	<b>(x2) Metal screw</b> On 240V fixtures only 	<b>(x2) Toggle anchor</b> On 240V fixtures only 

## SAFETY INFORMATION

Only one light bulb per socket.  
 Only suitable for direct mounting on non-combustible surfaces.  
 Under no circumstances can Modo Chandeliers be mounted on normally flammable surfaces.  
 Suitable for dry, indoor use only.  
 Maximum ambient temperatures: 25° C

## Stem and cover tube length adjustment

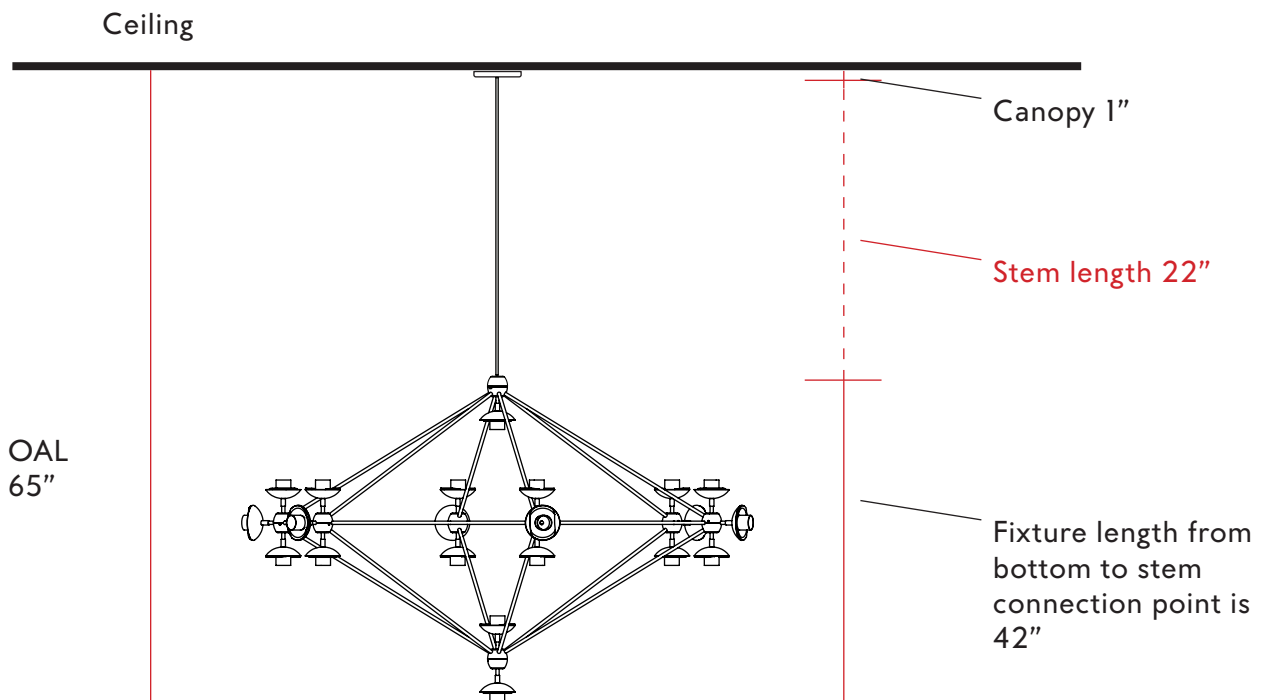
---

*Note: Please contact a licensed electrician.*

### Example fixture only:

To measure length of stem, first determine overall length (OAL), subtract 1" for the canopy height and subtract the fixture height from the OAL. Fixture height is measured from bottom of the fixture to stem connection point. The resulting measurement is the final stem length.

Ex. The fixture below has an OAL of 76" and a fixture height of 42".  
 $65" \text{ OAL} - 1" \text{ canopy} - 42" \text{ fixture height} = 22" \text{ stem}$



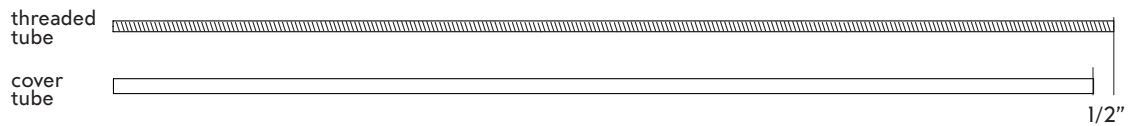
## Stem and cover tube length adjustment

---

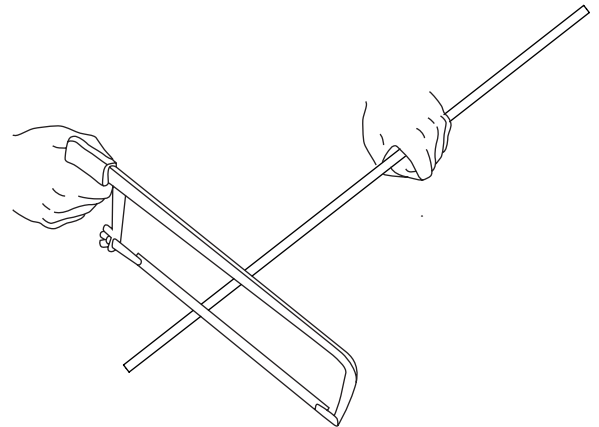
*Note: Please contact a licensed electrician.*

### Example fixture only:

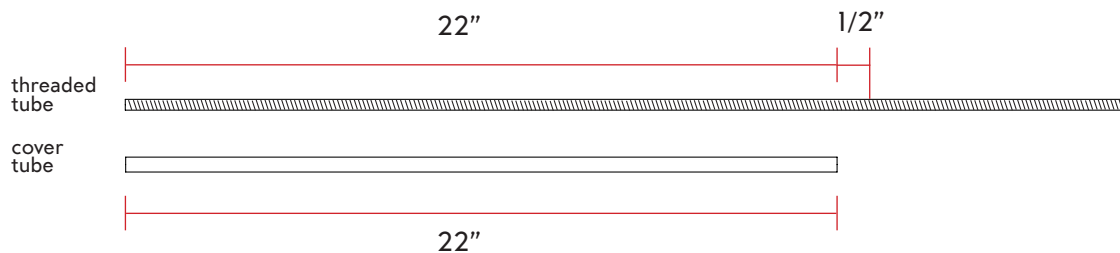
1. To customize the length of the provided stem, cut cover tube to desired length. Then cut the inner threaded tube so that it remains 1/2" longer than the cover tube.



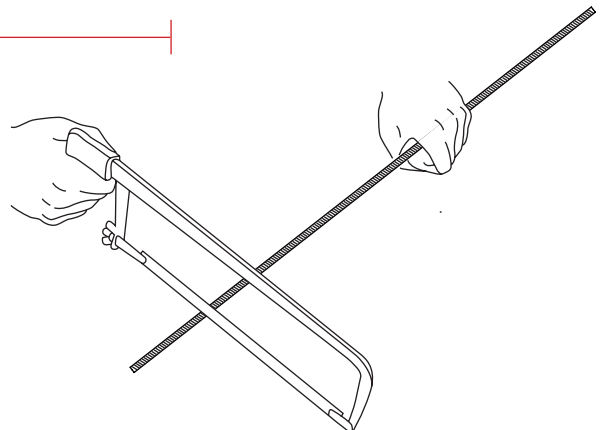
2. Mark the length of the tube required, using a marker or tape. Then hold down the tube with a hand or a clamp, use a hacksaw or electrical tool to cut the tube. Recommended to clean tube after cutting to remove any metal chippings.



3. Now that the cover tube is cut to 22", measure the all thread tube to be 22 and 1/2" long. And place a mark, with a marker or tape.



4. Hold down the all thread with a hand or a clamp, use a hacksaw or electrical tool to cut the all thread tube. Recommended to clean all thread tube after cutting to remove any metal chippings.

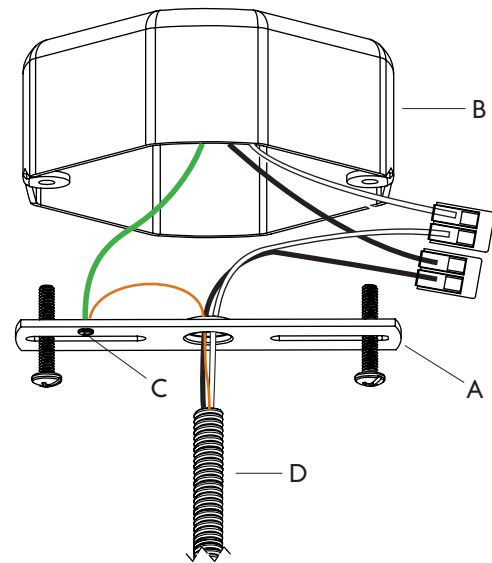


## CEILING INSTALLATION | MODO

---

*Note: Please contact a licensed electrician.  
Note: Do not use bulbs that exceed 25 watts.*

1. Install the crossbar (A) using #8-32 screws to junction box (B) in ceiling.
2. Attach the green ground wire (for 240V, attach copper ground wire from fixture) to the crossbar with ground screw (C).
3. Once the crossbar is secure, screw the threaded inner tube (D) a quarter inch into the center hole. Feed the wires from the bottom of the threaded tube into the junction box, strip wires, and make electrical connections.
4. Conceal wires and connections inside junction box.



## CEILING INSTALLATION | MODO

5. Slide the canopy (E) up the threaded tube to the ceiling, followed by the cover tube (F).

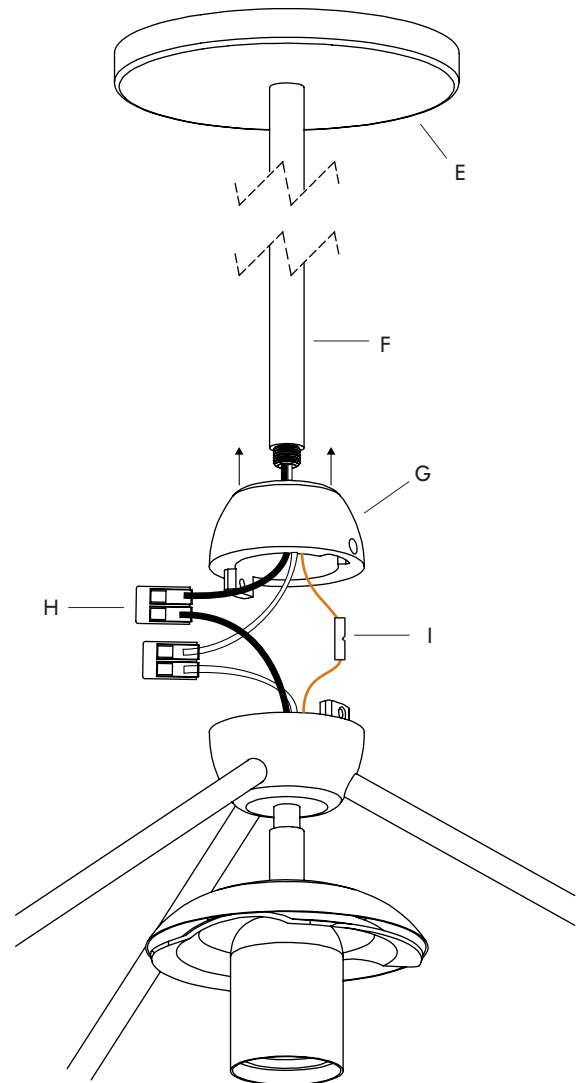
6. Screw the half hub (G) onto the bottom of the all-thread rod. This will tighten the canopy flush to the ceiling.

7. Carefully lift the fixture so that the two half-hubs align. Cut excess wire, strip ends, and make electrical connections between the stem and the fixture (H).

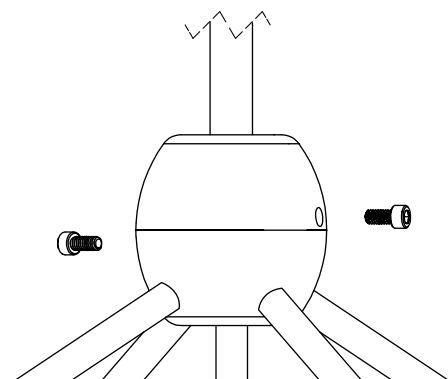
For 240V, connect the copper ground wires with butt splice (I)

Tuck all wires inside the hub and close them.

*Note: This step requires two people.*



8. Secure the two half hubs together using a hex key and the provided #6-32 socket screws on either side.



## INSTALLATION | ATTACHING MODO GLOBES

---

1. Sandwich the glass globe (A) around the socket fitter (B) and cap (C). Gently tighten the sleeve (D) to hold the globe in place.

