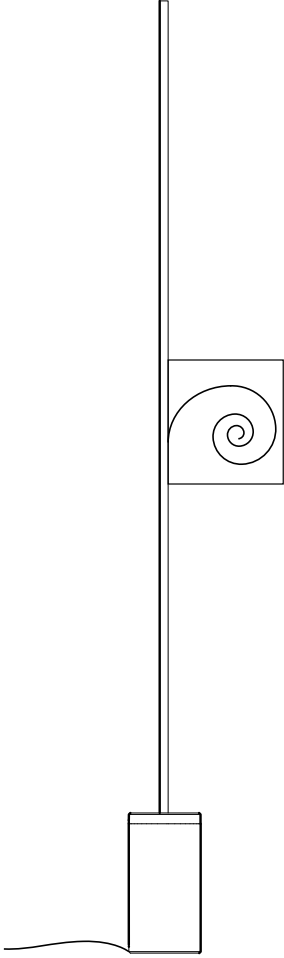

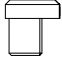

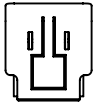
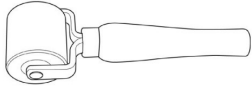


CONTENTS

Updated 17DEC2019

<p>(x1) Lighting assembly</p> 	<p>(x1) Extrusion</p> 	
	<p>(x1) Cap</p> 	<p>(x1) Fitter</p> 
	<p>(x4) Plug Adapters</p> 	<p>(x1) Seam Roller</p> 

SAFETY INFORMATION

Suitable for dry, indoor use only.

Maximum ambient temperature: 25°C

If the external flexible cable or cord of this luminaire is damaged, it shall be exclusively replaced by Roll & Hill or Roll & Hill's service agent or a similarly qualified person in order to avoid hazard.

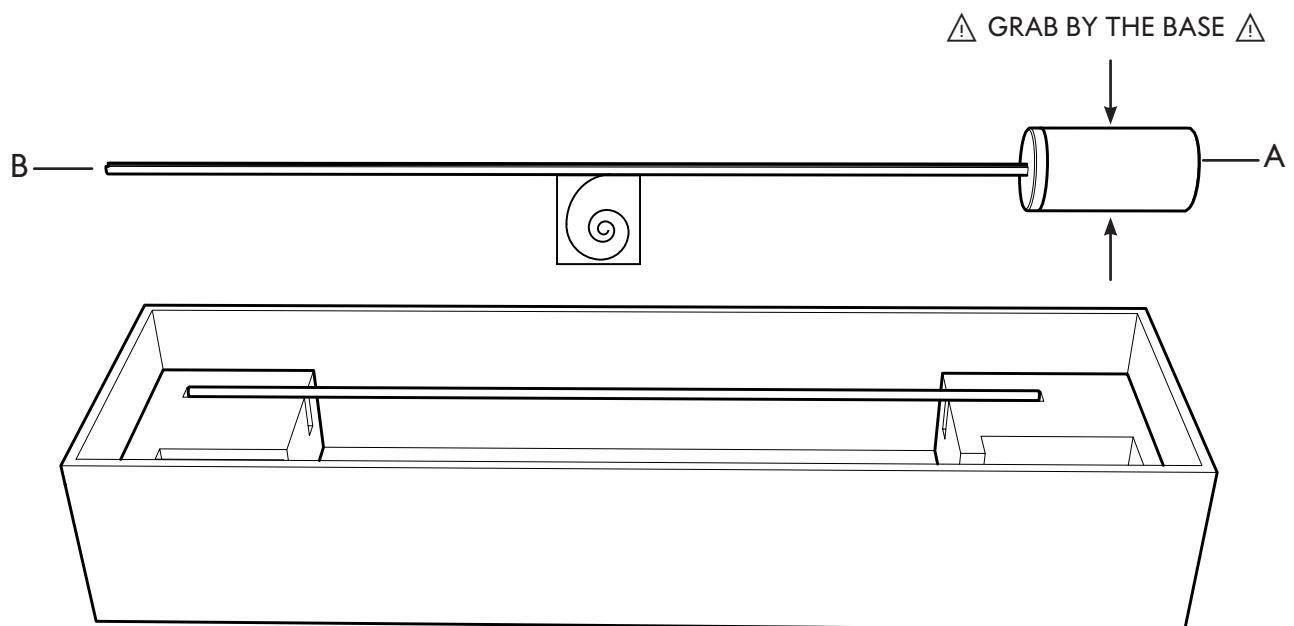
The light source contained in this luminaire shall only be replaced by the manufacturer or his service agent or a similar qualified person.

POLE 01 | INSTALLATION

Note: Please contact a licensed electrician for installation.

01. Gently remove the base (A) out from the opened box. Do not grab by the extrusion (B) but only by the base.

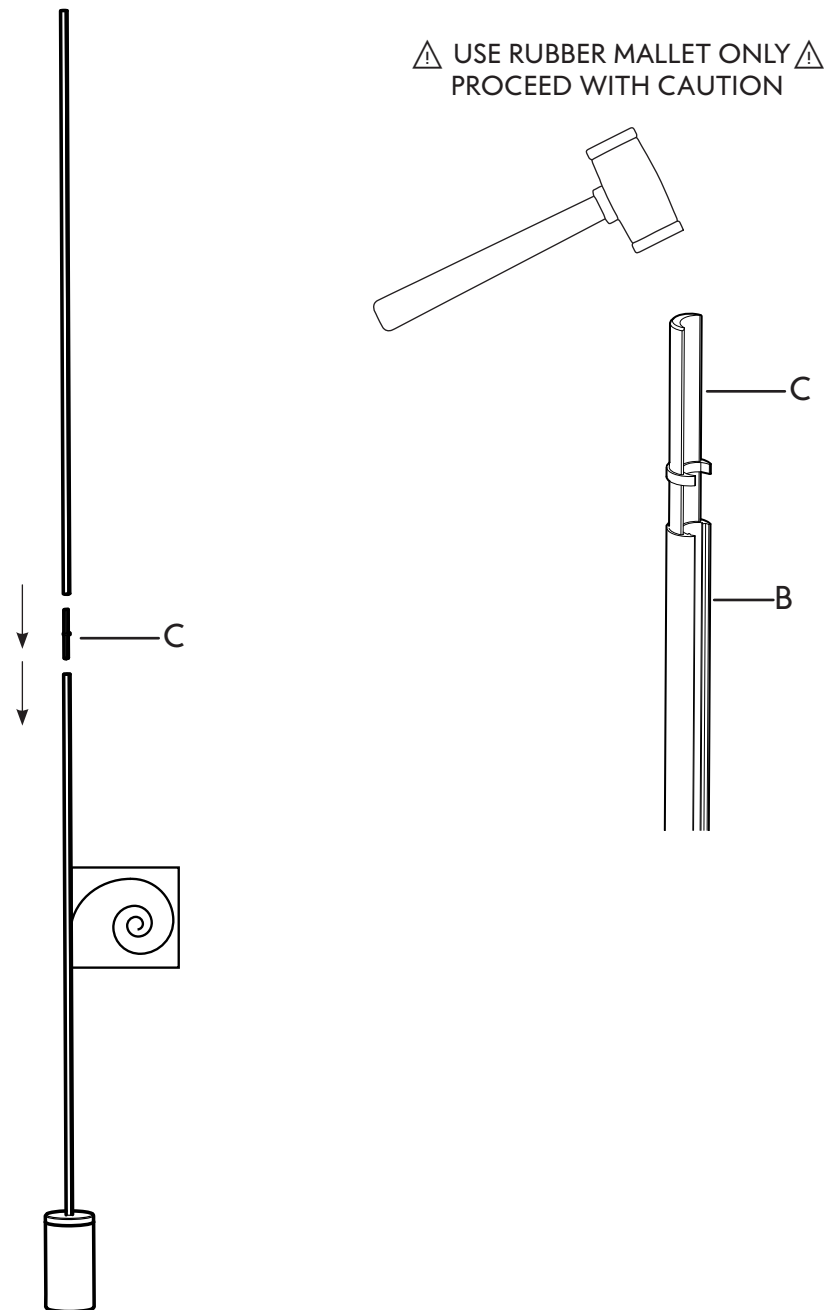
Sit the base assembly upright on the ground.



POLE 01 | INSTALLATION

Note: Please contact a licensed electrician for installation.

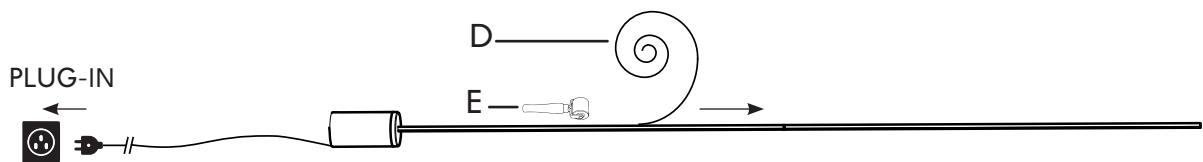
02. Assemble the fitter (C) and extrusion (B) as shown below. A rubber mallet may be cautiously used to force the fitter in the extrusion.



POLE 01 | INSTALLATION

Note: Please contact a licensed electrician for installation.

03. Gently lay the fixture down. Plug in the fixture to test the LED tape (D) (See POWER ADAPTOR INSTALLATION section). While the tape is still on and starting from the bottom end, gently feed the tape in the extrusion using the roller. To achieve best result, roll one side of the tape first, then proceed with the other. Leave the plug in during the entire process, this will help to prevent any visible waves and irregularities during the tape feeding step.

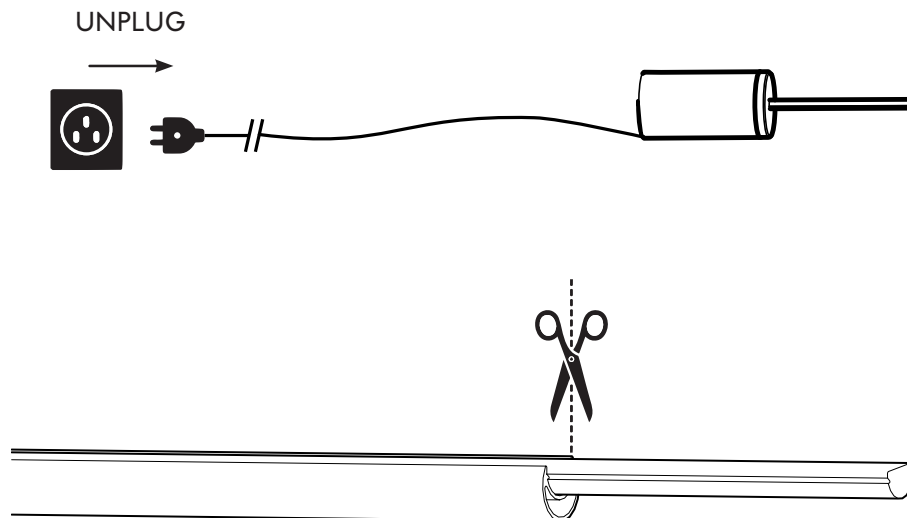


POLE 01 | INSTALLATION

Note: Please contact a licensed electrician for installation.

04. Unplug the fixture. With a pair of sharp scissors, cut the extra LED tape so it is flush with the metal extrusion.

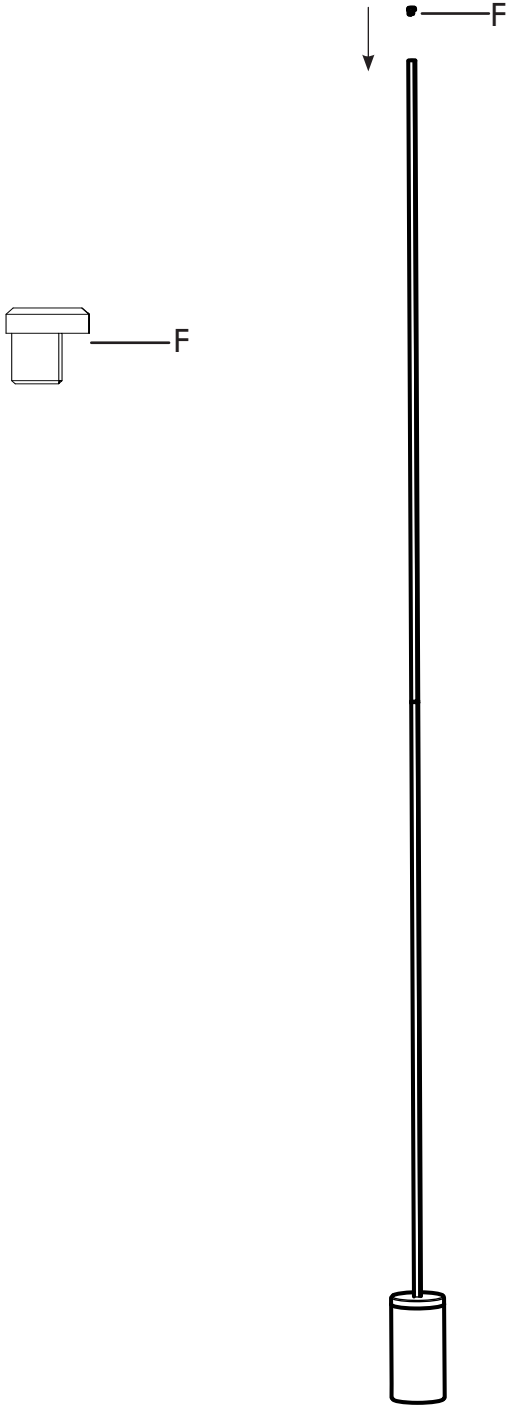
Replug the fixture to check the result. After cutting, a small amount of light may be lost at the end tip.



POLE 01 | INSTALLATION

Note: Please contact a licensed electrician for installation.

05. Finish the assembly by adding the cap on top of the last extrusion.



POLE 01 | POWER ADAPTOR INSTALLATION

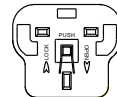
1. Find the suitable driver adapter for your country's outlet type.



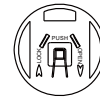
North America



Europe



United Kingdom



Australia

2. Slide driver adapter (A) into USB driver (B) until it clicks into place.

3. To remove a driver adapter, press on the flexible tab on the adapter (A) and slide it out of the USB driver (B).

