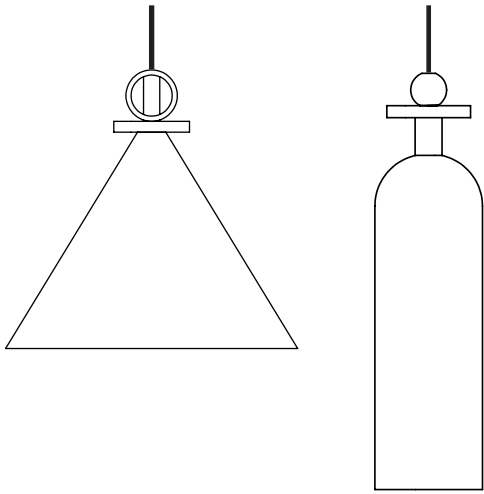
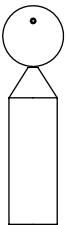


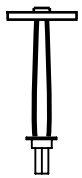
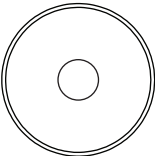

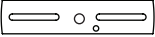

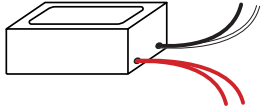



CONTENTS

Shape Up Double Pendant Cone Pendant + Cylinder Pendant 		Pulley and Counterweight (2) 	Pulley (2) 
		8-32 Crossbar Screws (2) 	1/4-20 Ceiling Anchor (2) 
Canopy with Hub 	Strain Relief (2) 	Crossbar 1/8 IPS 	1/4-20 Anchor Screw (2) 
Driver 		Wago Connector (5) 	

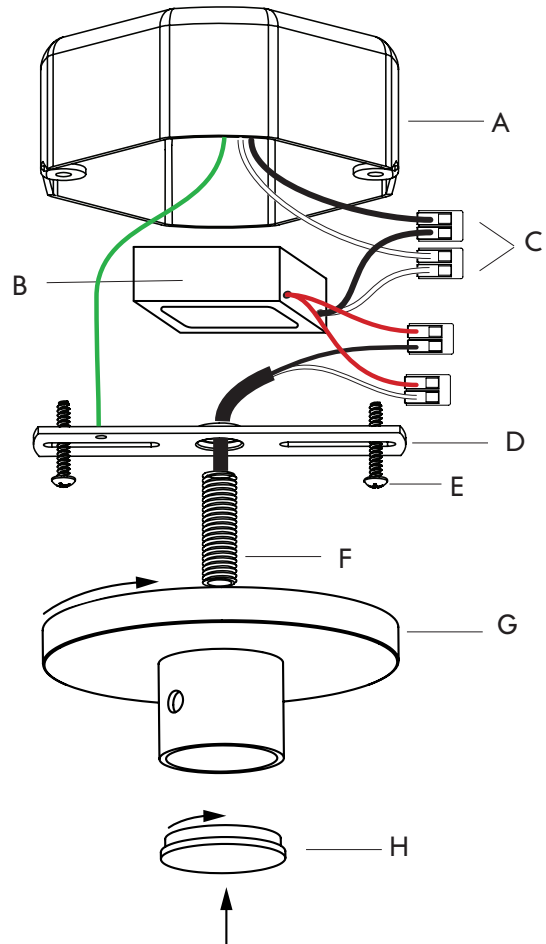
SAFETY INFORMATION

Only one light bulb per socket.
 Only suitable for direct mounting on non-combustible surfaces.
 Under no circumstances can Shape Up fixtures be mounted on normally flammable surfaces.
 Suitable for dry, indoor use only.
 Maximum ambient temperatures: 25° C

CEILING INSTALLATION | SHAPE UP DOUBLE PENDANT

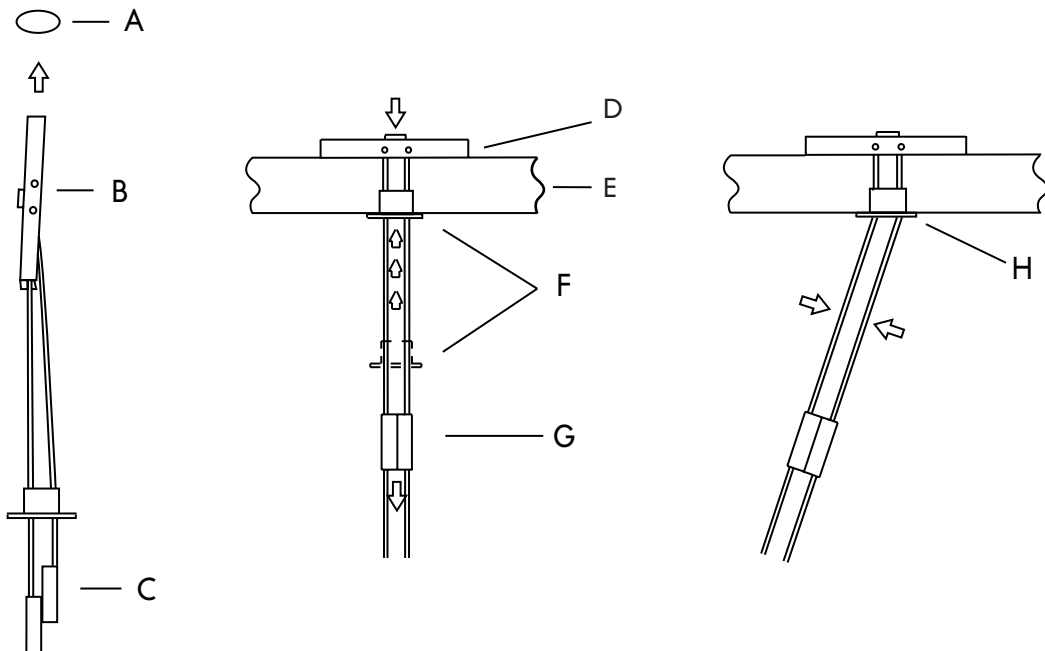
Note: Please contact a licensed electrician.

01. Connect wires from the provided driver (B) to the lead wires (C) in the ceiling. Connect ground wire to crossbar (D).
02. Pass output wires from driver through threaded nipple (F) in canopy assembly (G). Secure cross bar (D) to junction box (A) using provided 8-32 screws (E).
03. Spin canopy assembly (G) into place clockwise into junction box (A) until flush with ceiling.
04. After wiring fixture, replace hub cover (H) by screwing into canopy assembly (G).



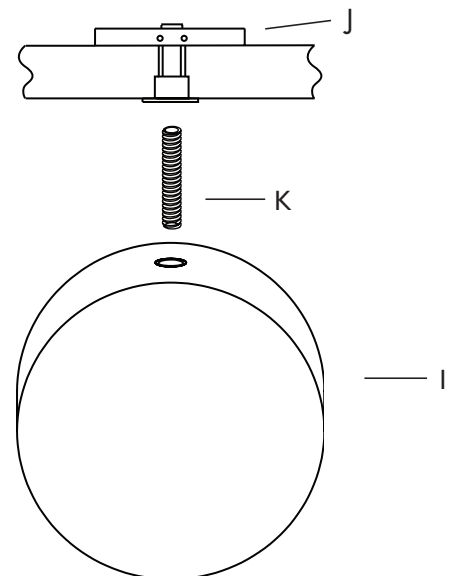
CEILING TOGGLE ANCHOR INSTALLATION | SHAPE UP DOUBLE PENDANT

05. To install the toggle anchor, first drill a 1/2" hole to pass the metal part of the anchor (B) up into the ceiling (A)
06. Pass metal anchor (B) through hole (A) and slide the ends of the zip ties (C) until the metal anchor pivots horizontally (D) seating itself onto the ceiling (E)
07. Push up on the anchor lock (F) while applying downward pressure to the zip ties at point (G) be careful not to break off the zip ties while pushing the anchor lock upward toward the ceiling
08. Once the anchor lock (H) is tightly seated into the ceiling, move the plastic zip ties back and forth until they snap off at the level of the ceiling.



09. Mount Pulley (I) to ceiling using provided toggle anchor (J) and 1/4-20 bolt (K). Place desired distance (20 inches is recommended) from junction box in desired direction.

10. Mount second Pulley to ceiling 20 inches from the junction box in opposite direction.

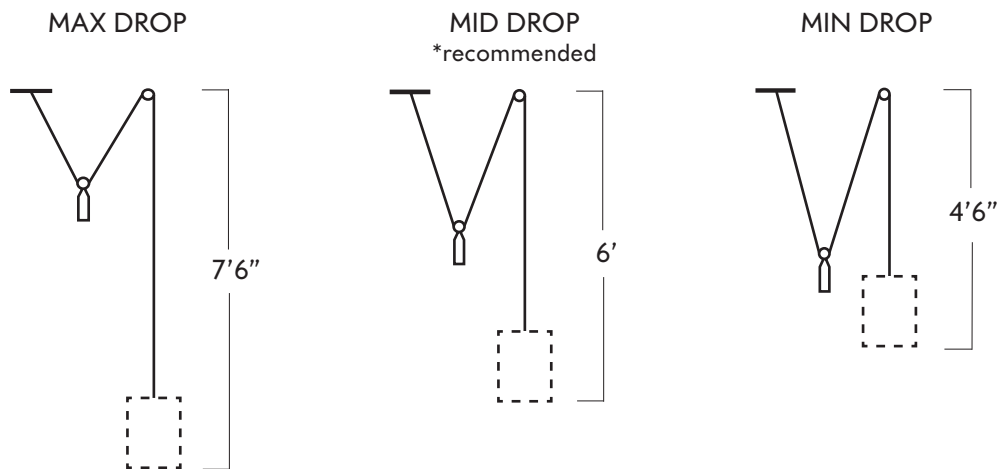


CEILING INSTALLATION | SHAPE UP DOUBLE PENDANT

11. Measure the desired drop length of your fixtures from the ceiling. Use the chart below to determine the length of fabric cord necessary. Counterweights can be adjusted to a high and low position (see example below) so it is best to measure based on the “mid drop” length. Confirm your cord length by holding fixture in its hanging position before cutting cord.

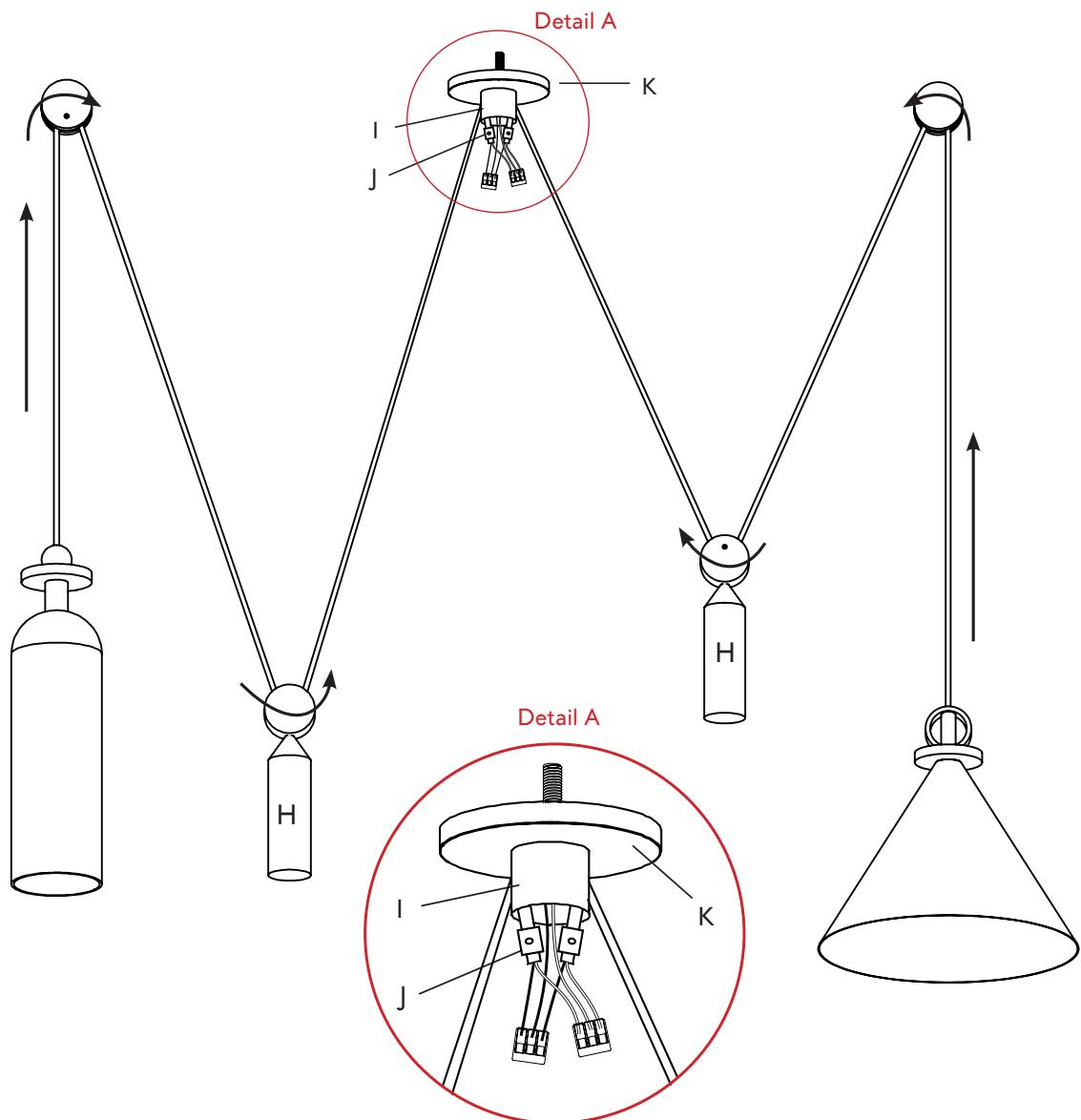
MID DROP LENGTH *recommended	DROP LENGTH RANGE	CORD LENGTH
7'	5'6" - 9'	12'
6'6"	5' - 8'	11'
6'	4'6" - 7'6"	10'
5'6"	4'3" - 6'9"	9'
5'	4' - 6'	8'
4'6"	3'9" - 5'3"	7'
4'	3'6" - 4'6"	6'

EXAMPLE | DROP LENGTHS USING 10' CORD



CEILING INSTALLATION | SHAPE UP DOUBLE PENDANT

12. Feed cord from fixture through ceiling mounted pulley, then through the pulley and counterweight assembly (H), and lastly through the side hole of the hub (I).
13. If you wish to shorten cord to desired hanging height, cut end to length and re-strip wires for connections. Tape end of fabric overbraid so it will not unravel.
14. While still supporting the weight of fixture and counterweight, tighten strain relief (J) around the cord, leaving 2 inches for wire connections. This will now hold weight of fixture. Make lead wire connections with wago connectors and fit wire connections into hub. Thread on cap.
15. Adjust positioning by raising or lowering counterweight.



CHANGING THE BULBS

Note: Make sure to power off fixture and allow bulbs and lamp to cool.

CONE AND HEMISPHERE:

Carefully unscrew white bulb in counterclockwise direction and remove from fixture. Pull out existing LED and replace with a new one by pushing two pins into socket. Screw white bulb back onto socket.

CYLINDER:

While holding the glass cylinder shade, carefully unscrew white bulb in counterclockwise direction. This will remove both shade and white bulb. Pull out existing LED and replace with a new one by pushing two pins into socket. Hold shade in position and screw white bulb back onto socket.

ARC:

Support weight of glass arc shade and unscrew the small black cap from each end in counterclockwise direction. This will remove the glass shade from the assembly. Pull out existing LED and replace with a new one by pushing two pins into socket. Put glass arc shade back into place by screwing caps back onto end caps.

GLOBE:

Support weight of glass globe while unscrewing black cap from top of assembly. Slide black cap and brass tube up the cord and loosen the nut holding the globe cap to globe. Once loose, slide globe off of internal fitter and cap and set aside. unscrew white bulb in counterclockwise direction and remove from fixture. Pull out existing LED and replace with a new one by pushing two pins into socket. Screw white bulb back onto socket and re-fit the assembly.