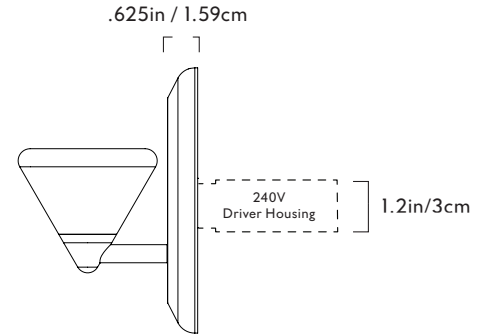
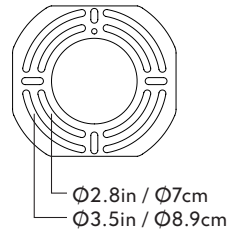
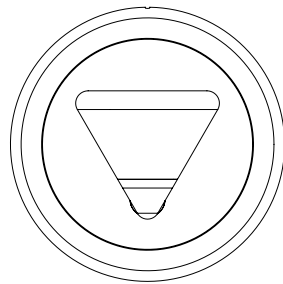


Mounting dimensions

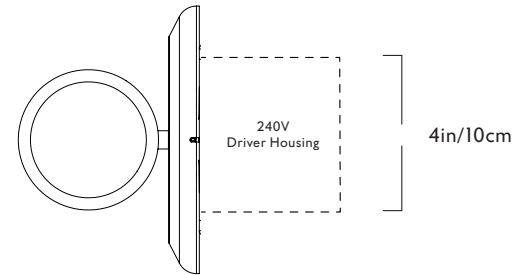


3.7in / 9.5cm

.625in / 1.59cm



Ø5.5in / Ø13.97cm



3.7in / 9.5cm

Apollo

Series
 Apollo

Product
 Sconce

Dimensions
 Ø5.5in / Ø13.97cm x D 3.7in / 9.5cm

Weight
 0.9lb / 0.4kg

Shipping Dimensions
 L 22in / 56cm x W 16in / 41cm x
 H 10in / 25cm

Shipping Weight
 5lb / 2kg

Materials
 Brass, Steel, Glass, White Oak

Sconce

Finishes/Colors
 Brushed brass metal / Oxidized oak
 base

Driver location
 120V: Driver to be installed in the wall
 Electrical Box. Driver dimension are L
 3.30in / 8.4cm x W 1.57in / 4.0cm x H
 0.99in / 2.5cm
 240V: Driver in the 240V Driver Hous-
 ing. Housing to be installed in the wall.

Fixture Mounting
 Designed to be mounted on standard
 4 in. Electrical Box.
 Two #8-32 screws included.
 Additional mounting hardware provided
 for 240V versions.

Certifications
 UL/cUL (120V)
 CE (240V)

120V Illumination
 Integrated LED
 Wattage: 8 W
 Lumens: 500 Lumens est.
 Color Temperature: 2700 K, 90+ CRI
 LED Lifetime: 50,000 Hours est.
 Dimming: Triac, ELV or 0-10V

240V Illumination
 Integrated LED
 Wattage: 8 W
 Lumens: 500 Lumens est.
 Color Temperature: 2700 K, 90+ CRI
 LED Lifetime: 50,000 Hours est.
 Dimming: ELV or 0-10V