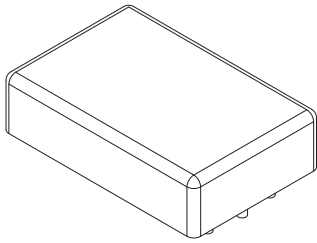


O-10V Dimming Module



SLD-DIM1B

POWER 120
 INPUT 8 to 30V DC
 VOLTAGE
 CURRENT 5000mA max.
 DIMMING: 0-10V DC
 DIMMING TYPE: - 10K/N~100K/N Ohms resistance
 - 1~10V DC Voltage
 - 10V PWM Signal
 NOTES: IP 65
 DIMENSION: 37mm (1.5") x 56mm (2.2") x 15mm (0.6")
 DESIGNATION:

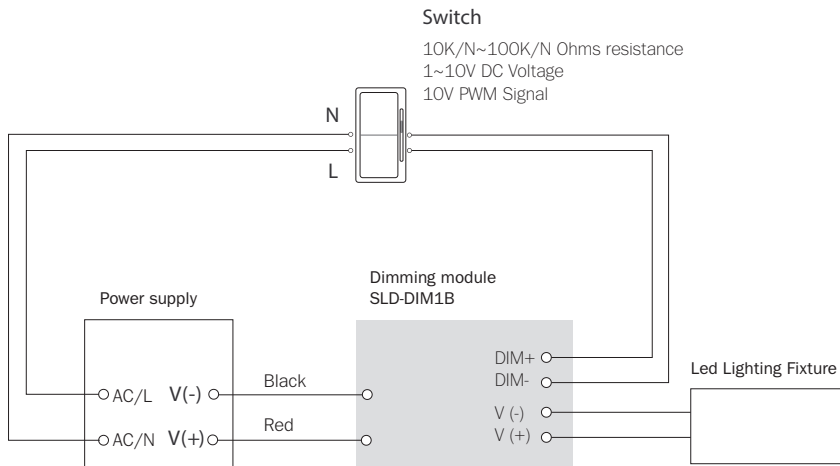


INPUT WIRE

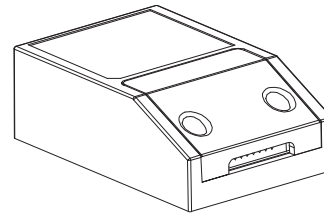
RED DC + Input
 BLACK DC - Input
 PURPLE to 1-10V
 GREY to 1-10V

OUTPUT WIRE

YELLOW Dim Output +
 BLACK Dim Output -

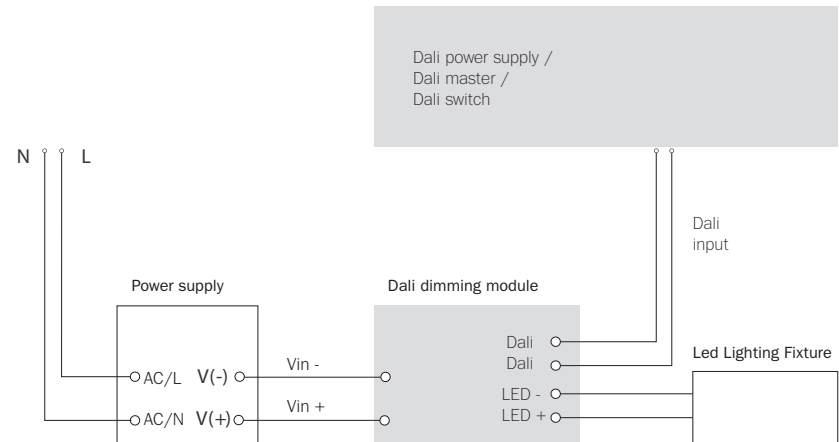


DALI Dimming Module

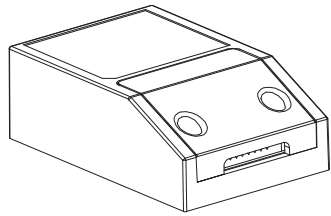


SLD-DIM-DALI

INPUT VOLTAGE 8-48V
 RANGE
 OUTPUT $V_{in}-0.2V$
 VOLTAGE RANGE
 OUTPUT 5A max.
 CURRENT
 OUTPUT POWER 240W max.
 DIMENSION: 40mm (1.57") x 61mm (2.4") x 21mm (0.83")
 DESIGNATION:



Casambi Dimming Module



SLD-DIM-CB

INPUT VOLTAGE RANGE 8-48V

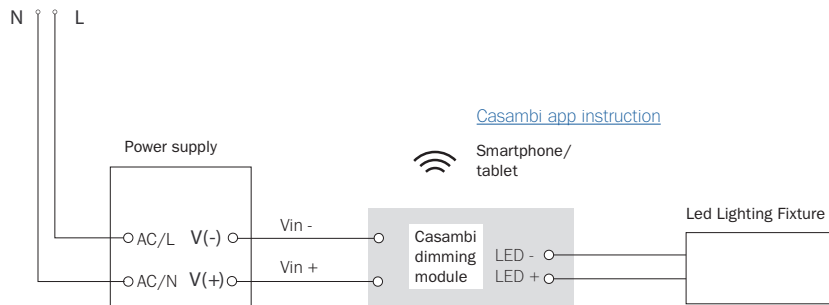
OUTPUT VOLTAGE RANGE $V_{in}-0.3V$

OUTPUT CURRENT 5A max.

OUTPUT POWER 240W max.

DIMENSION: 40mm (1.57") x 61mm (2.4") x 21mm (0.83")

DESIGNATION:



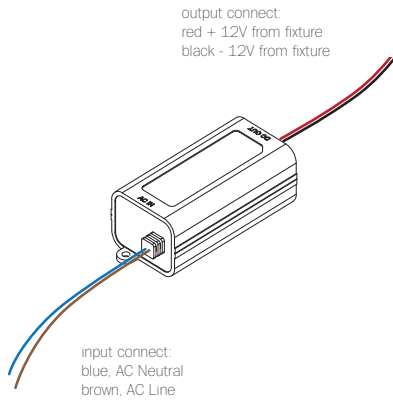
Dimming Module

twentieth

sales@twentieth.net 323.904.1200 www.twentieth.net

BOCCI

120/240V LED Driver - 8W



MW-APV-8-12V

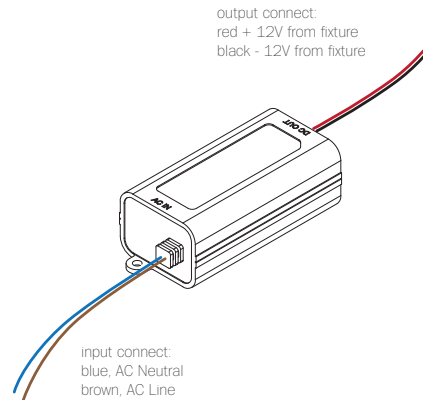
PRIMARY: AC 100 - 240V, 300mA, 50/60Hz
 SECONDARY: Max. 12V DC (8w max.)
 LAMPING: 1w LED lamps: 1-8
 1.5w LED lamps: 1-5
 DIMMING: **Dimmable with dimming module**
 DIMMING TYPE: - 1~10V DC Voltage
 - 10V PWM Signal
 NOTES: Constant voltage
 Class 2 power unit
 For LED lamps only
 DIMENSION: 30mm (1.2") x 73mm (2.9") x
 24mm (0.9")

DESIGNATION: IS 15885(Par 12)Sec13



IP42

120/240V LED Driver - 16W



MW-APV-16-12V

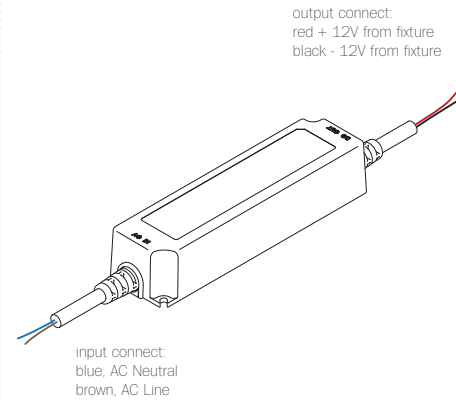
PRIMARY: AC 100 - 240V, 500mA, 50/60Hz
 SECONDARY: Max. 12V DC (16w max.)
 LAMPING: 1w LED lamps: 1-16
 1.5w LED lamps: 1-10
 DIMMING: **Dimmable with dimming module**
 DIMMING TYPE: - 1~10V DC Voltage
 - 10V PWM Signal
 NOTES: Constant voltage
 Class 2 power unit
 For LED lamps only
 DIMENSION: 40mm (1.6") x 90mm (3.5") x
 29mm (1.1")

DESIGNATION: IS 15885(Par 12)Sec13



IP42

120/240V LED Driver - 60W



MW-LPV-60D-12V

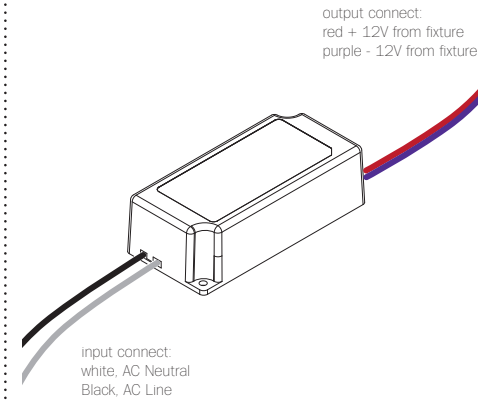
PRIMARY: AC 100 - 240V, 800mA, 50/60Hz
 AC 277V, 320mA, 50/60Hz
 SECONDARY: Max. 12V DC (60w max.)
 LAMPING: 1w LED lamps: 1-60
 1.5w LED lamps: 1-40
 DIMMING: **Dimmable with dimming module**
 DIMMING TYPE: - 1~10V DC Voltage
 - 10V PWM Signal
 NOTES: Short Circuit Protection
 Constant voltage
 Class 2 power unit
 For LED lamps only
 DIMENSION: 43mm (1.7") x 163mm (6.4") x
 32mm (1.3")

DESIGNATION:



ta: 50°C
 tc: 80°C

120V LED Driver - 60W

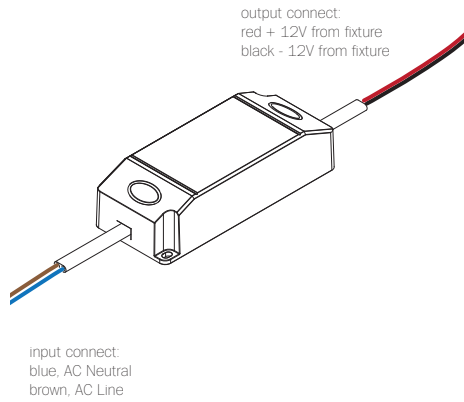


MLE60-12DC-P

PRIMARY: AC 100 - 130V, 540mA, 50/60Hz
 SECONDARY: Max. 11.5V DC (60W max.)
 LAMPING: 1W LED lamps: 1-60
 1.5W LED lamps: 1-40
 DIMMING: **Primary dimming**
 DIMMING TYPE: Forward & reverse phase Triac
 dimmable (ELV)
 NOTES: IP20, suitable for dry and damp
 locations.
 For LED lamps only
 DIMENSION: 40mm (1.57") x 84mm (3.3") x
 25mm (0.98")
 DESIGNATION: Conforms to UL STD. 8750 and
 1310
 Certified to CSA



230V LED Driver - 15W



KVP-12015-TD

PRIMARY: AC 180 - 240V AC, 170mA, 50/60Hz

SECONDARY: Max. 12V DC (15w max.)

LAMPING: 1w LED lamps: 1-15
1.5w LED lamps: 1-10

DIMMING: **Primary dimming**

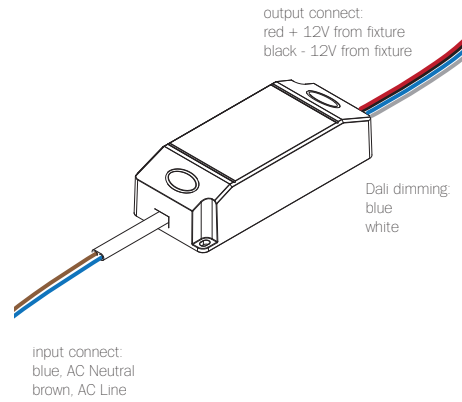
DIMMING TYPE: Triac

NOTES: Constant voltage
For LED lamps only

DIMENSION: 95mm (3.74") x 40mm (1.6") x 25mm (1")

DESIGNATION:   IP20 SELV-equivalent

230V LED Driver - 15W



KV-12015-DA

PRIMARY: AC 100 - 265V AC, 400mA, 50/60Hz

SECONDARY: Max. 12V DC (15w max.)

LAMPING: 1w LED lamps: 1-15
1.5w LED lamps: 1-10

DIMMING: **Secondary dimming**

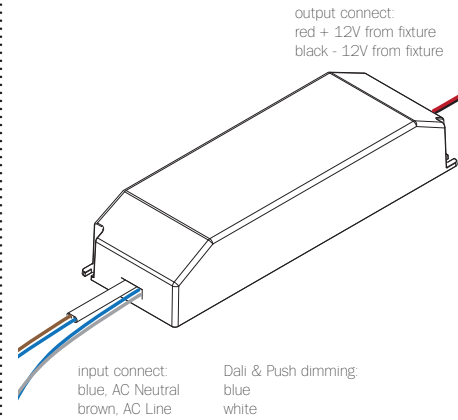
DIMMING TYPE: DALI

NOTES: Constant voltage
For LED lamps only

DIMENSION: 95mm (3.74") x 40mm (1.6") x 25mm (1")

DESIGNATION:      IP20 SELV-equivalent

230V LED Driver - 75W



KV-12075-DP

PRIMARY: AC 100 - 265V, 880mA, 50/60Hz

SECONDARY: Max. 12V DC (60w max.)







LAMPING: 1w LED lamps: 1-75
1.5w LED lamps: 1-50

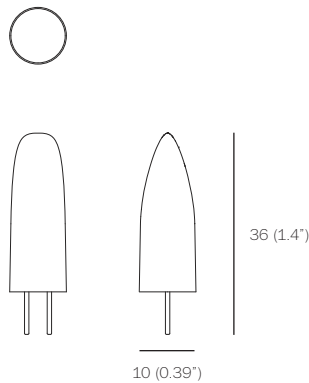
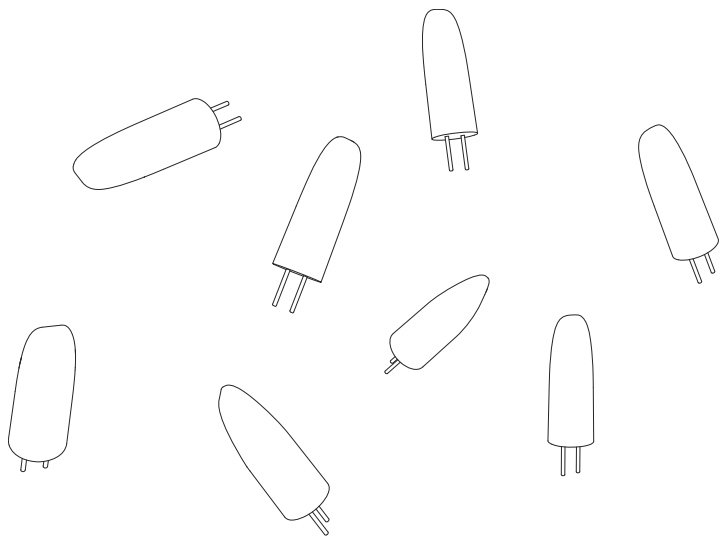
DIMMING: **Secondary dimming**

DIMMING TYPE: DALI & Push-Dim

NOTES: Constant voltage
For LED lamps only

DIMENSION: 180mm (7.1") x 60mm (2.4") x 35mm (1.4")

DESIGNATION:      IP20 SELV-equivalent 



WATTAGE: 1.5w
 COLOUR TEMPERATURE: 2000k (±200k)
 CRI: 80 (100 is daylight)
 LIGHT OUTPUT: 130 lumens
 EFFICIENCY: 86 lm/w
 LAMP LIFE: 10,000 hours

DESCRIPTION

The Bocci 1.5w LED lamping option offers a longer-life, energy efficient alternative to typical halogen or xenon lamps. This proprietary and worldwide patent pending design utilizes Bocci's standard G4 lamp holder (9.1mm/0.36" in diameter), which is designed to accept either the Bocci xenon lamp or the Bocci LED lamp. The possibility of dual usage allows the opportunity for existing chandeliers with xenon lamping to be retrofitted on site to LED along with the appropriate driver.

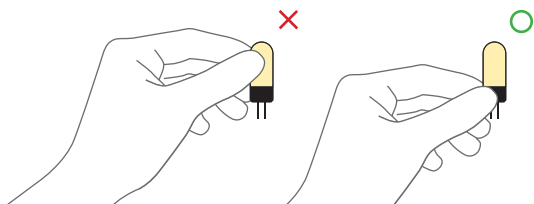
This unique replacement design is unlike typical embedded xenon fixtures as it eliminates the waste associated with catastrophic failures that leave no choice but to replace the entire fixture. When it comes time to relamp, the xenon heads may simply be replaced, as with conventional lamps. Bocci xenon lamp keeps the fixture out of landfills in the future, protects your investment and introduces a significant saving of energy.

NOTES

- + Purchase replacement lamps online at www.bocci.com/shop/bulbs
- + There may be a variance within colour temperatures
- + There may be a variance in the efficiency up to 20%.

IMPORTANT!

Handle the LED bulbs by the base only. Pressure applied to the silicone body of the LED may damage the bulb and reduce lifespan.

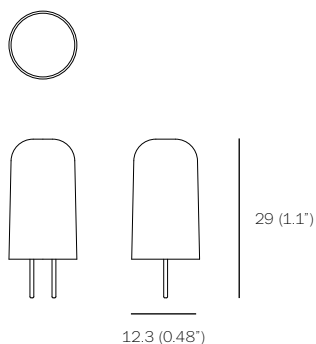


2000K LED
1.5W PRODUCT SPECIFICATION

twentieth

sales@twentieth.net 323.904.1200 www.twentieth.net

BOCCI



WATTAGE: 1.5w
COLOUR TEMPERATURE: 2500k (±200k)
CRI: 80 (100 is daylight)
LIGHT OUTPUT: 130 lumens
EFFICIENCY: 86 lm/w
LAMP LIFE: 10,000 hours

DESCRIPTION

The Bocci 1.5w LED lamping option offers a longer-life, energy efficient alternative to typical halogen or xenon lamps. This proprietary and worldwide patent pending design utilizes Bocci's standard G4 lamp holder (9.1mm/0.36" in diameter), which is designed to accept either the Bocci xenon lamp or the Bocci LED lamp. The possibility of dual usage allows the opportunity for existing chandeliers with xenon lamping to be retrofitted on site to LED along with the appropriate driver.

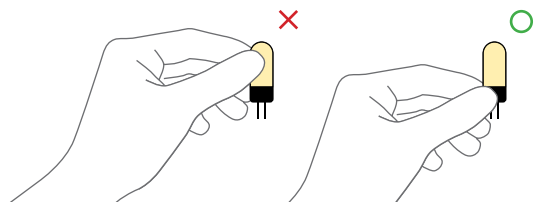
This unique replacement design is unlike typical embedded xenon fixtures as it eliminates the waste associated with catastrophic failures that leave no choice but to replace the entire fixture. When it comes time to relamp, the xenon heads may simply be replaced, as with conventional lamps. Bocci xenon lamp keeps the fixture out of landfills in the future, protects your investment and introduces a significant saving of energy.

NOTES

- + Purchase replacement lamps online at www.bocci.com/shop/bulbs
- + There may be a variance within colour temperatures
- + There may be a variance in the efficiency up to 20%.

IMPORTANT!

Handle the LED bulbs by the base only. Pressure applied to the silicone body of the LED may damage the bulb and reduce lifespan.



2500K LED

1.5W

PRODUCT SPECIFICATION

twentieth

sales@twentieth.net 323.904.1200 www.twentieth.net



BOCCI

WATTAGE: 1.5w
 COLOUR TEMPERATURE: 3500k (±200k)
 CRI: 80 (100 is daylight)
 LIGHT OUTPUT: 160 lumens
 EFFICIENCY: 107 lm/w
 LAMP LIFE: 10,000 hours

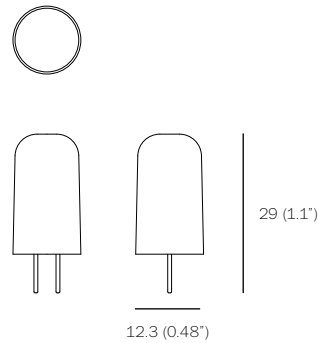
DESCRIPTION

The Bocci 1.5w LED lamping option offers a longer-life, energy efficient alternative to typical halogen or xenon lamps. This proprietary and worldwide patent pending design utilizes Bocci's standard G4 lamp holder (9.1mm/0.36" in diameter), which is designed to accept either the Bocci xenon lamp or the Bocci LED lamp. The possibility of dual usage allows the opportunity for existing chandeliers with xenon lamping to be retrofitted on site to LED along with the appropriate driver.

This unique replacement design is unlike typical embedded xenon fixtures as it eliminates the waste associated with catastrophic failures that leave no choice but to replace the entire fixture. When it comes time to relamp, the xenon heads may simply be replaced, as with conventional lamps. Bocci xenon lamp keeps the fixture out of landfills in the future, protects your investment and introduces a significant saving of energy.

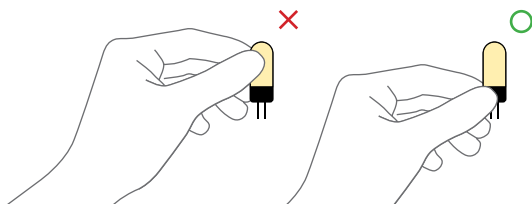
NOTES

- + Purchase replacement lamps online at www.bocci.com/shop/bulbs
- + There may be a variance within colour temperatures.
- + There may be a variance in the efficiency up to 20%.



IMPORTANT!

Handle the LED bulbs by the base only. Pressure applied to the silicone body of the LED may damage the bulb and reduce lifespan.



3500K LED
1.5W PRODUCT SPECIFICATION

twentieth

sales@twentieth.net 323.904.1200 www.twentieth.net

BOCCI