

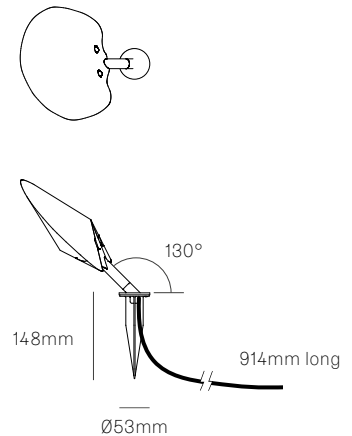
<b>Mounting</b>	Ground
<b>Glass Colours</b>	Grey 1, grey 2, white 1, white 2
<b>Lamp</b>	1.5W LED, 2500K, 130lm
<b>Finish</b>	Bead blasted
<b>Materials</b>	Poured glass, stainless steel, electrical components
<b>Power Supply</b>	Remote mounted in a watertight, easily accessible, and hidden location for ease of long-term maintenance. Not dimmable.
<b>Environment</b>	Outdoor, wet location. IP56
<b>Note</b>	Every single Bocci product is handmade. They are blown, poured, carved, polished, packed and dispatched directly by us. As such, no two products are identical; they are individual, irregular expressions of our research.
<b>Patent #</b>	CAN 16234 US D754,911 EU 002687774 - 0001 to 0012

**Certifications**



**Weight (kg)**

**16 Ground 3.2**



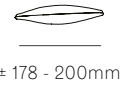
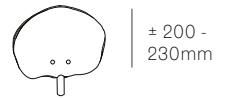
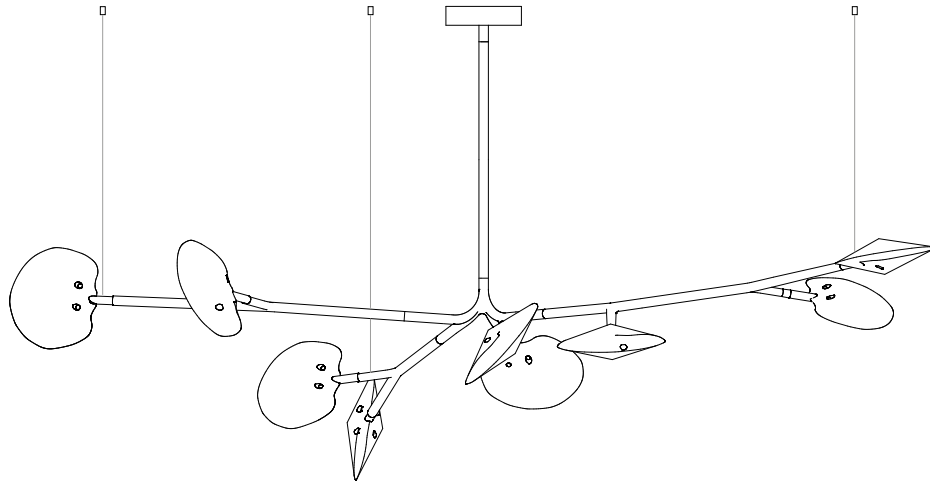


Image shown above 16.9a.1, 500mm extender, with pendant anchor kit

<b>Mounting</b>	Ceiling mounted
<b>Glass Colours</b>	Grey 1, grey 2, white 1, white 2
<b>Lamp</b>	1.5W LED, 2500K, 130lm
<b>Extenders</b>	Available in 150mm, 250mm, 500mm, 1200mm, 750mm (attached with 2 pendants). Up to 2500mm drop
<b>Finish</b>	Black powder coated
<b>Materials</b>	Poured glass, black powder coated stainless steel armature, electrical components, matte black canopy
<b>Power Supply</b>	Integral Bocci recommends remote mounting power supplies for ease of long-term maintenance.
<b>Environment</b>	Indoor, dry location. IP20
<b>Note</b>	Pendant anchor kit included.  Every single Bocci product is handmade. They are blown, poured, carved, polished, packed and dispatched directly by us. As such, no two products are identical; they are individual, irregular expressions of our research.
<b>Patent #</b>	CAN 16234 US D754,911 EU 002687774 - 0001 to 0012

**Certifications**



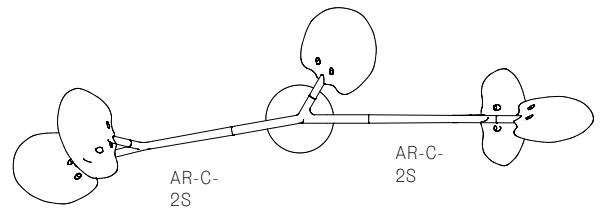
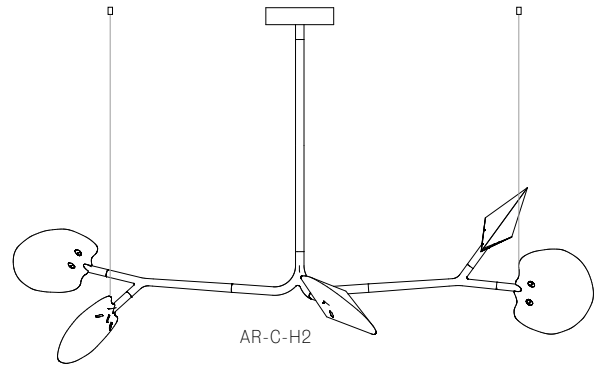
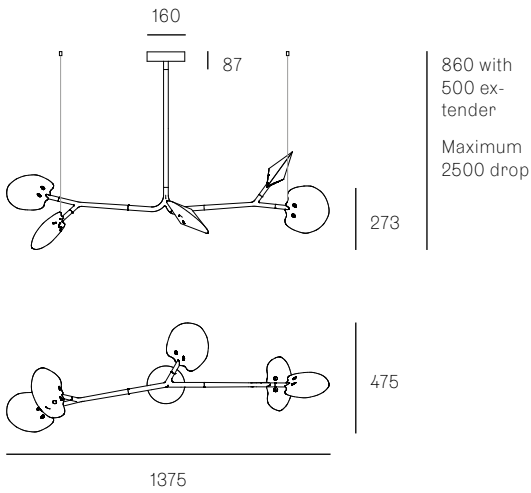
**Weight (kg)**

<b>16.5a.1</b>	16.7
<b>16.8a.1</b>	26.6
<b>16.8a.2</b>	28.2
<b>16.9a.1</b>	25.8
<b>16.9a.2</b>	29.5
<b>16.11a.1</b>	38.1
<b>16.11a.2</b>	36.2
<b>16.13a.1</b>	42.9
<b>16.17a.1</b>	55.7
<b>16.20a.1</b>	67.1
<b>16.23a.1</b>	78.7
<b>16.33a.1</b>	112.9

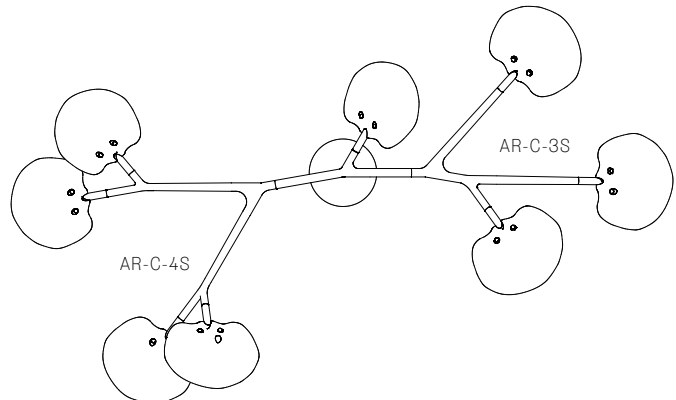
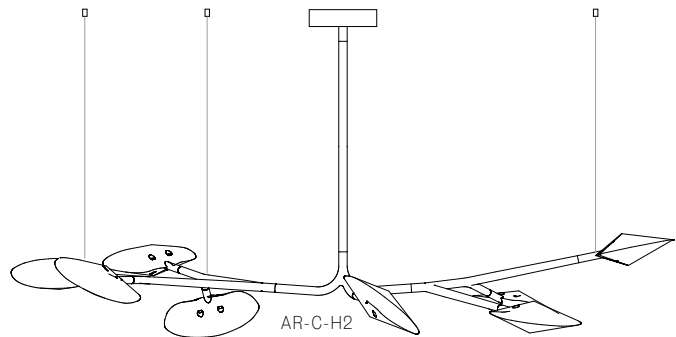
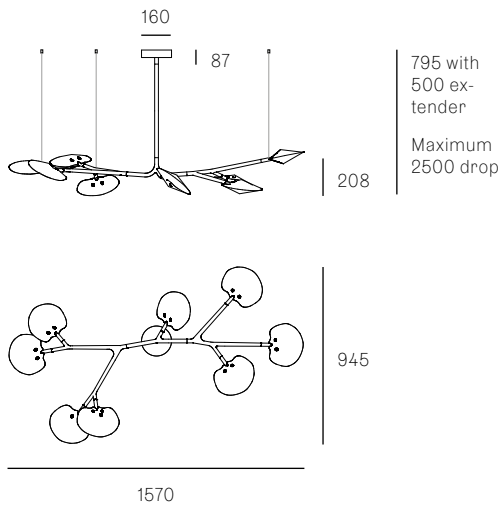
Each product is unique, there may be a variance in the weight up to 10%.

**16.5A.1**

All dimensions are in millimeters (mm) unless otherwise specified.

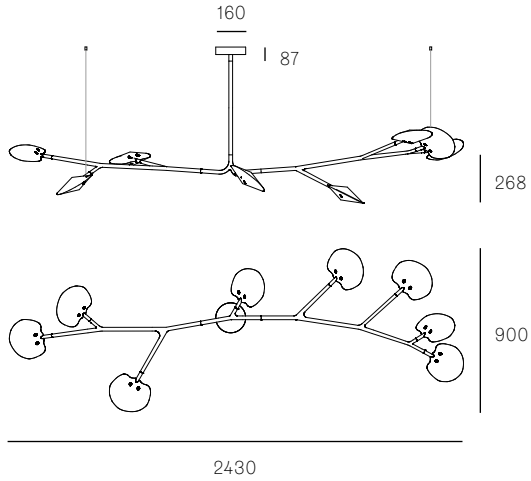


**16.8A.1**

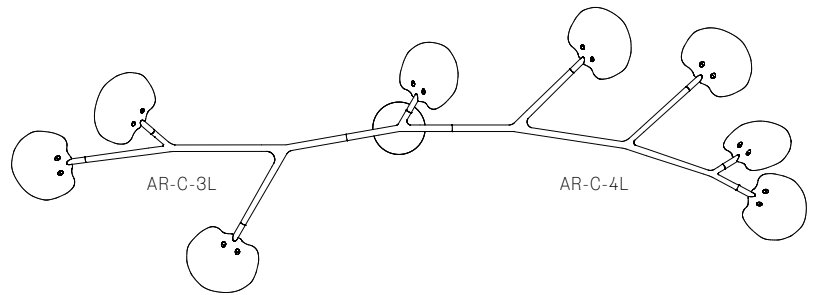
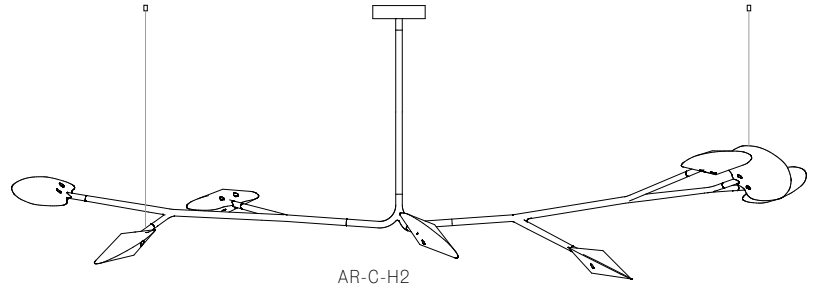


**16.8A.2**

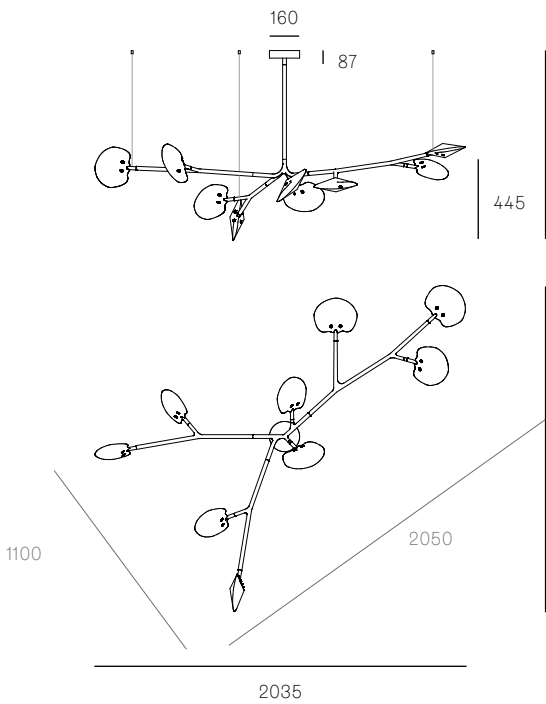
All dimensions are in millimeters (mm) unless otherwise specified.



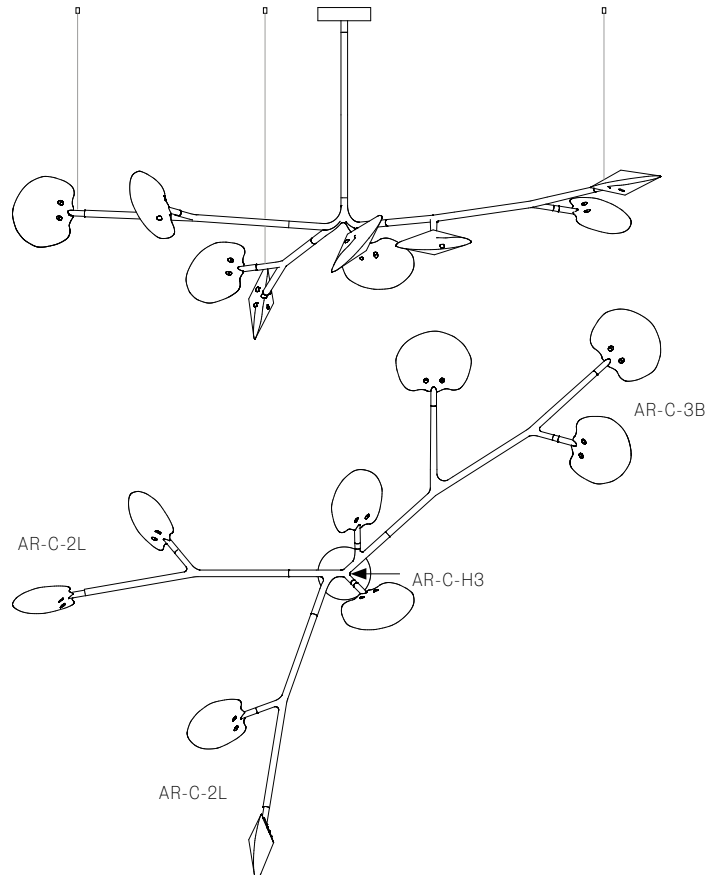
855 with  
500 ex-  
tender  
Maximum  
2500 drop



**16.9A.1**



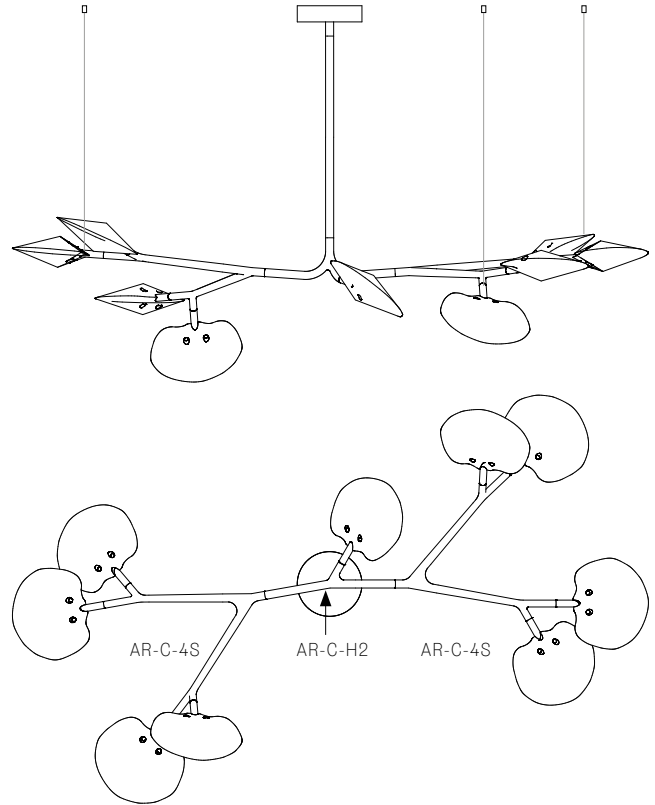
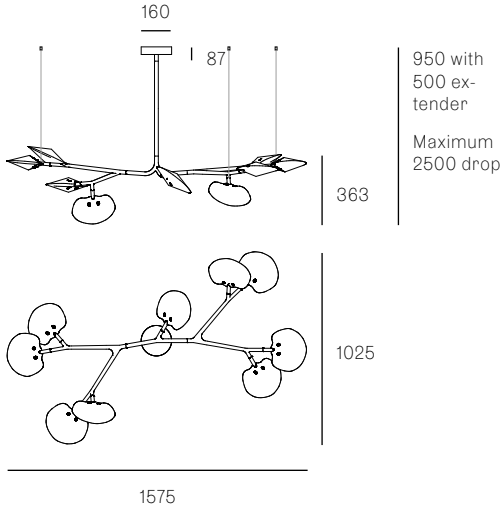
1032 with  
500 ex-  
tender  
Maximum  
2500 drop



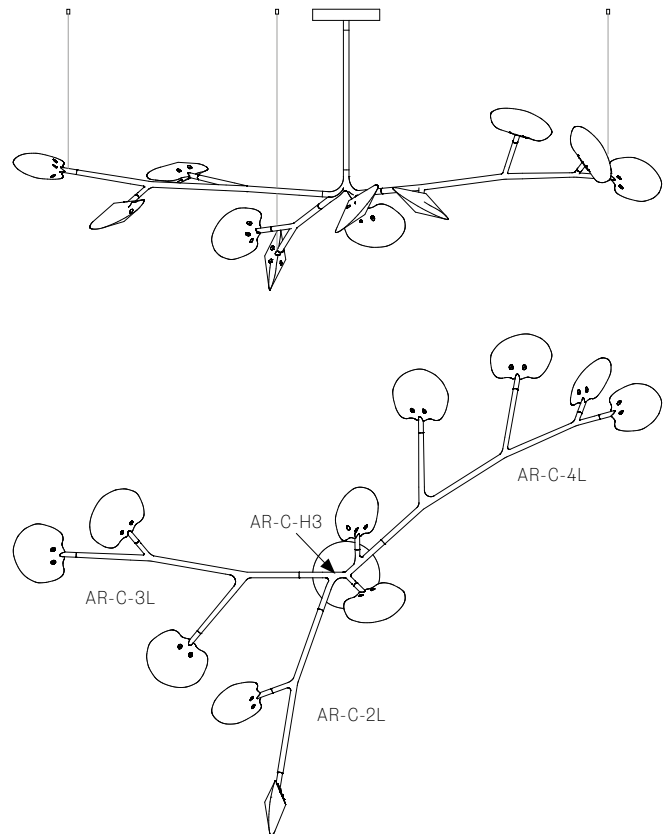
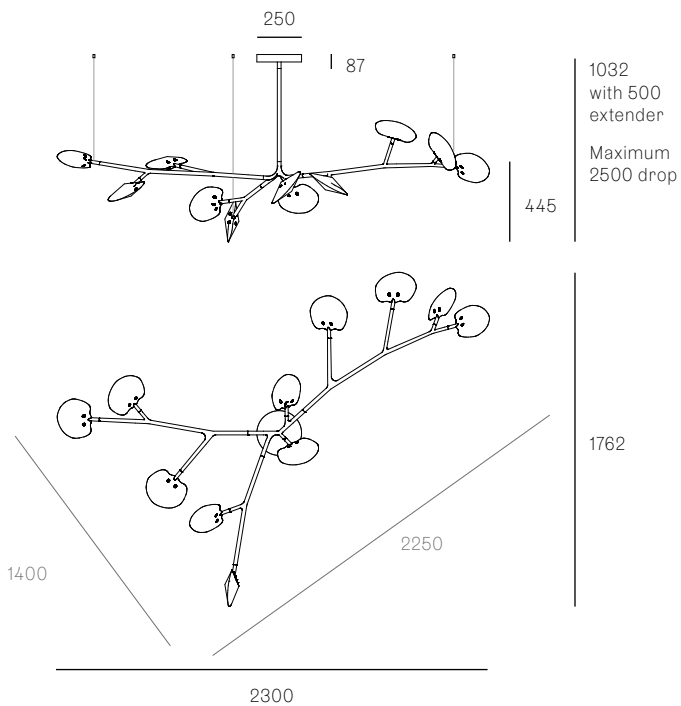


**16.9A.2**

All dimensions are in millimeters (mm) unless otherwise specified.

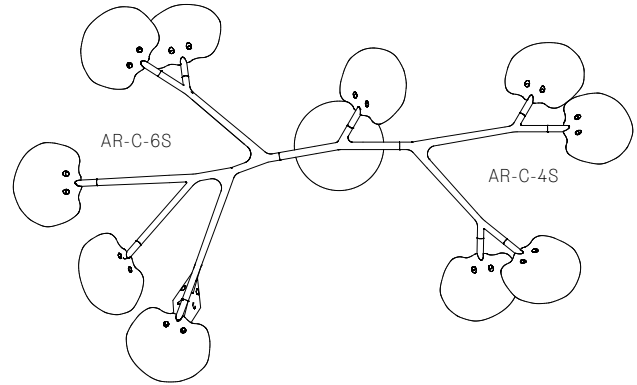
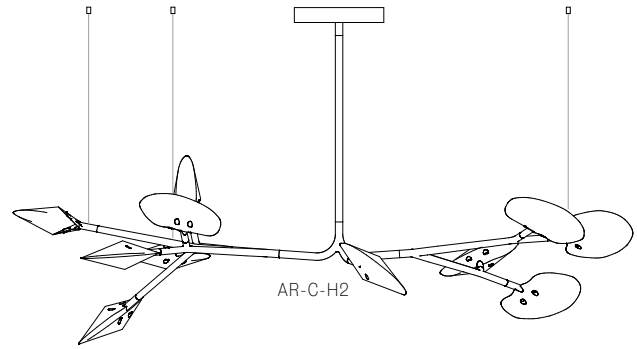
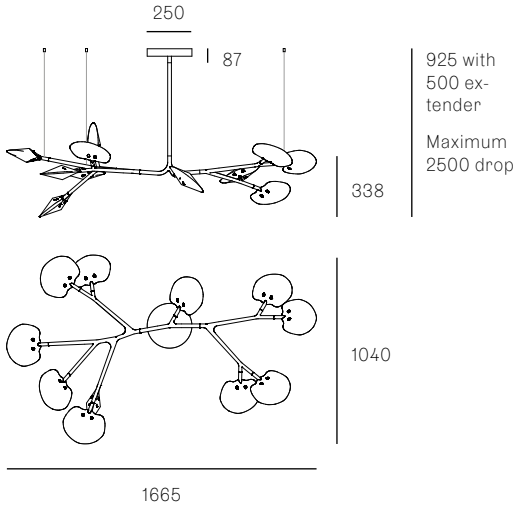


**16.11A.1**

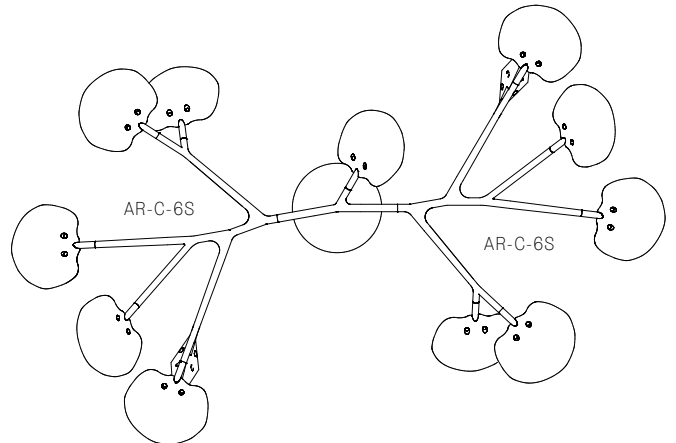
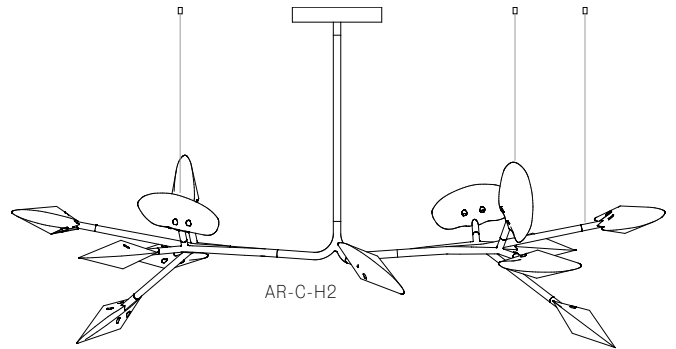
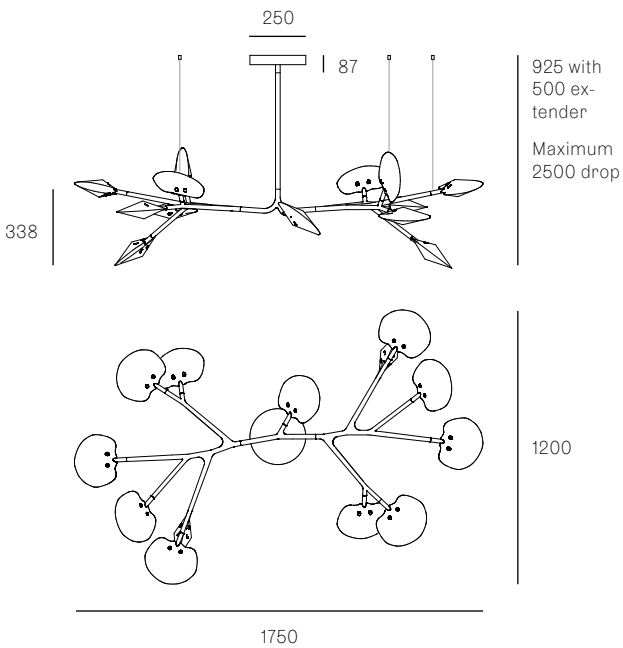


**16.11A.2**

All dimensions are in millimeters (mm) unless otherwise specified.

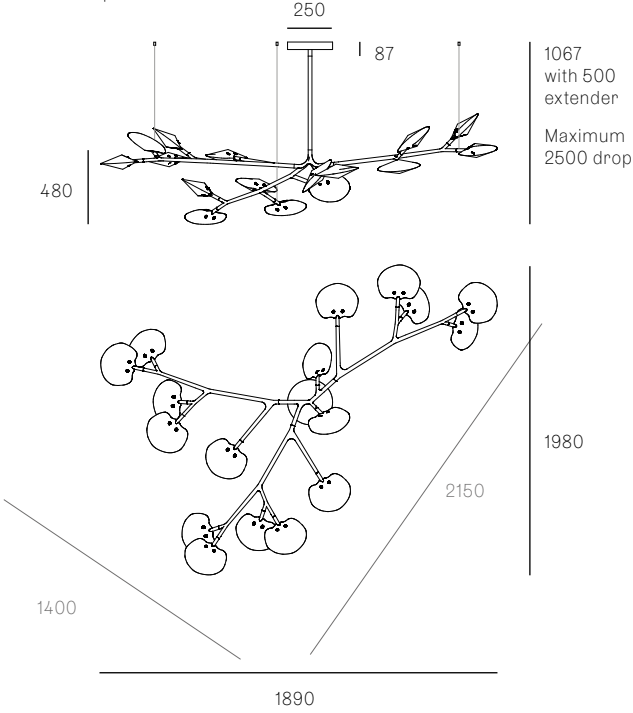


**16.13A.1**

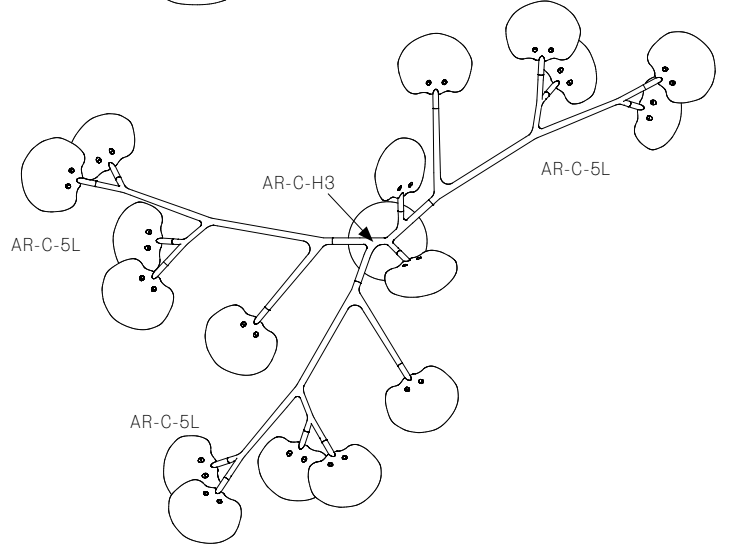
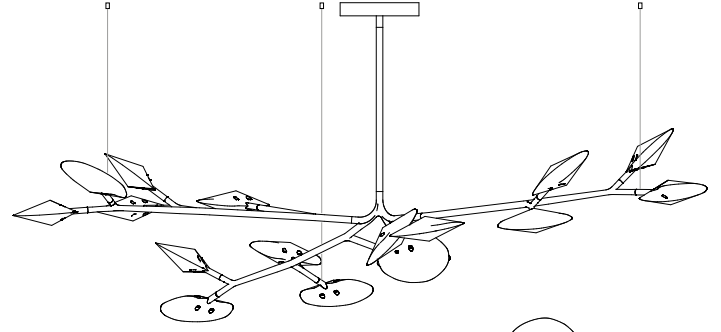


**16.17A.1**

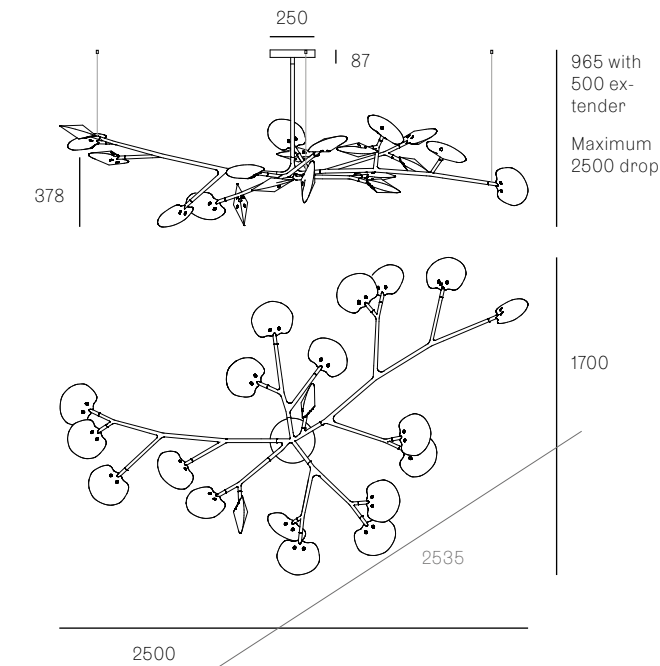
All dimensions are in millimeters (mm) unless otherwise specified.



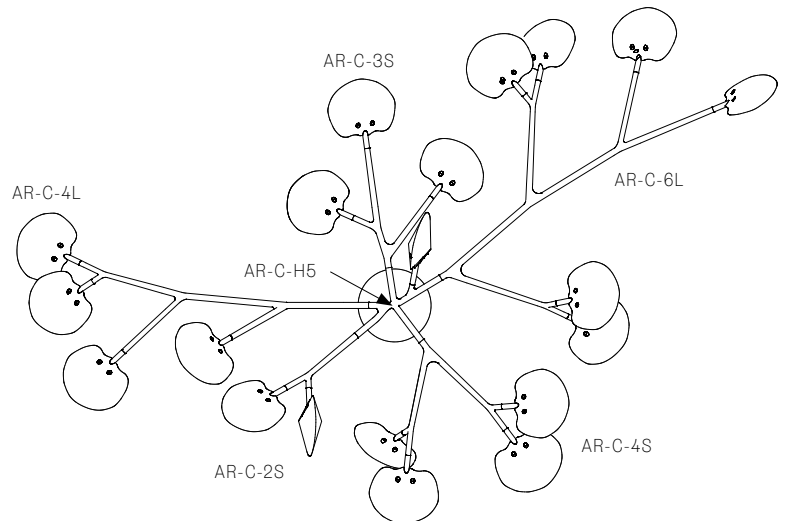
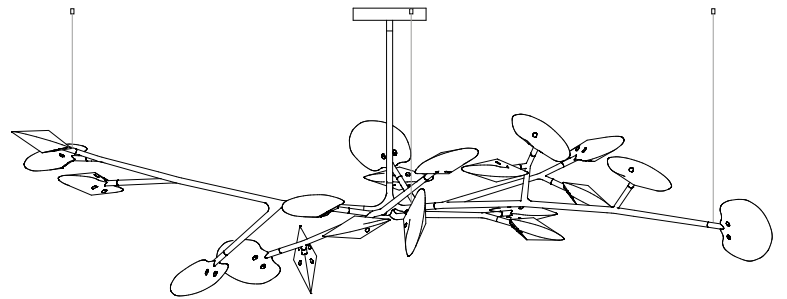
1067  
with 500  
extender  
Maximum  
2500 drop



**16.20A.1**

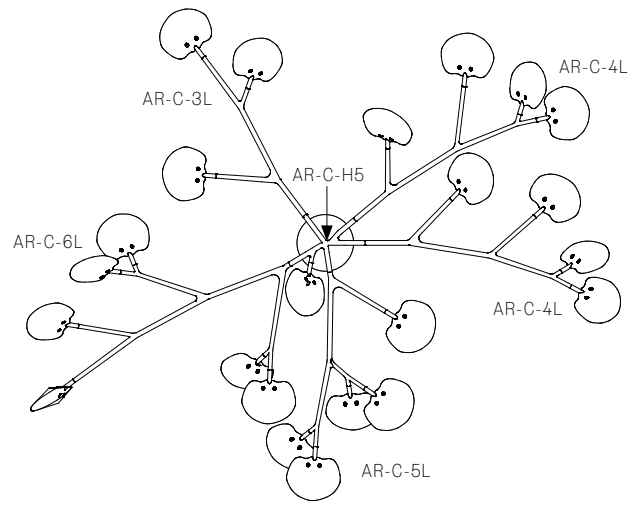
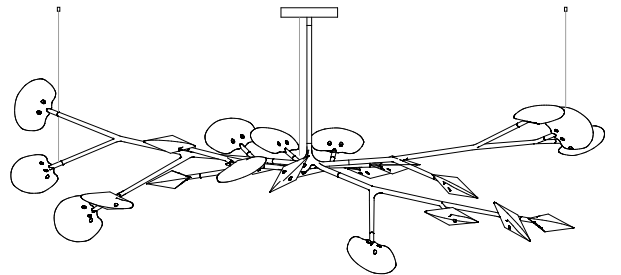
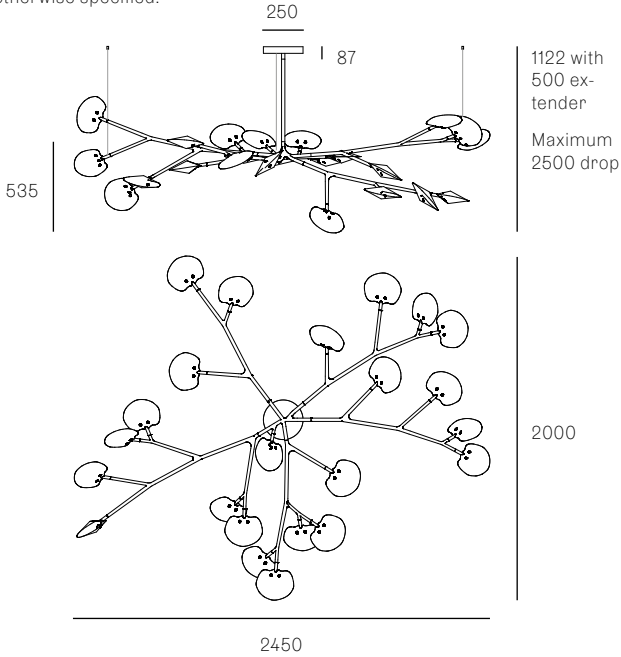


965 with  
500 ex-  
tender  
Maximum  
2500 drop



**16.23A.1**

All dimensions are in millimeters (mm) unless otherwise specified.



**16.33A.1**

