

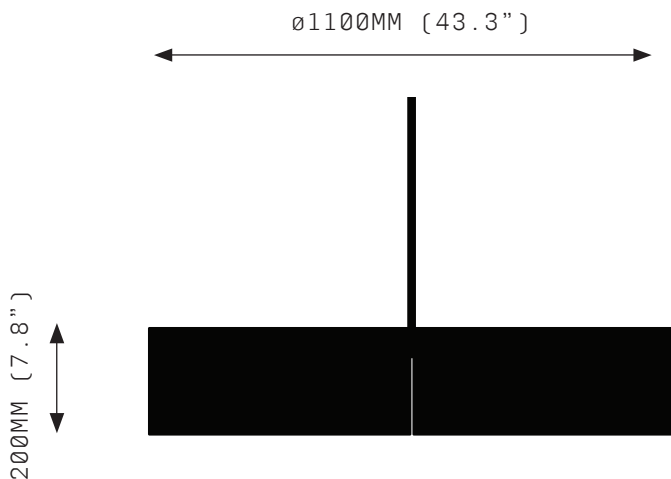
BUCKY VITRINE



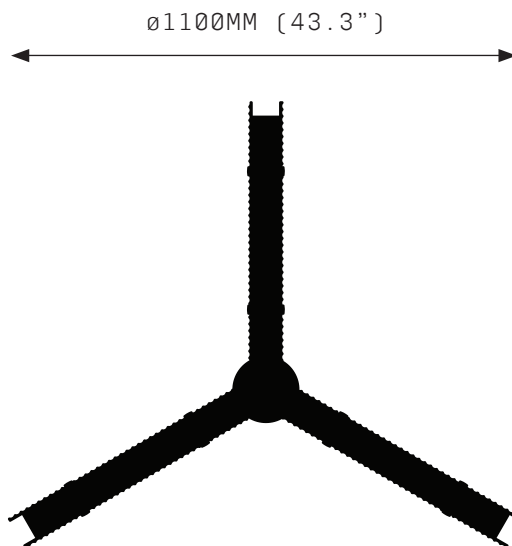
Inspired by Buckminster Fuller's geodesic dome, BUCKY VITRINE explores natural geometry and industrial innovation.

BUCKY VITRINE diffuses light through vertical surfaces of fluted glass sheeting, producing gradations of transparency.

BUCKY VITRINE



FRONT VIEW



TOP VIEW

SPECIFICATIONS

Ordering Code:
BV.VIT

Lamp:
24V LED WW 2700K

Lumens:
2317 LM

Voltage:
24V DC

Watts:
29W

Weight:
Approx. 11 kg*
*Exclusive of canopy

Inclusions:
Power Supply Unit x 60W

Exclusions:
User Interface, Dimmer Unit

PRODUCT OPTIONS

Finishes:
GLA Brushed Aluminium,
Brushed Brass and Glass

Suspension:
ROD Vertical Rod

Canopy:*

- RFS Round Flush Small
- RFM Round Flush Medium
- RFL Round Flush Large
- RSM Round Surface Medium
- RSL Round Surface Large

*Refer to Canopy Specification Guide

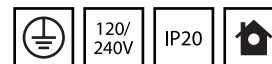
WARRANTY

3 Years Fixture
3 Years Power Supply Unit
3 Years LED

Bucky Block is a solid fixture that will require very little maintenance over the years.

If your Bucky Block is treated with care, it will shine brightly for many years to come.

Contact us for custom variations.



Installation should only be undertaken by a qualified professional