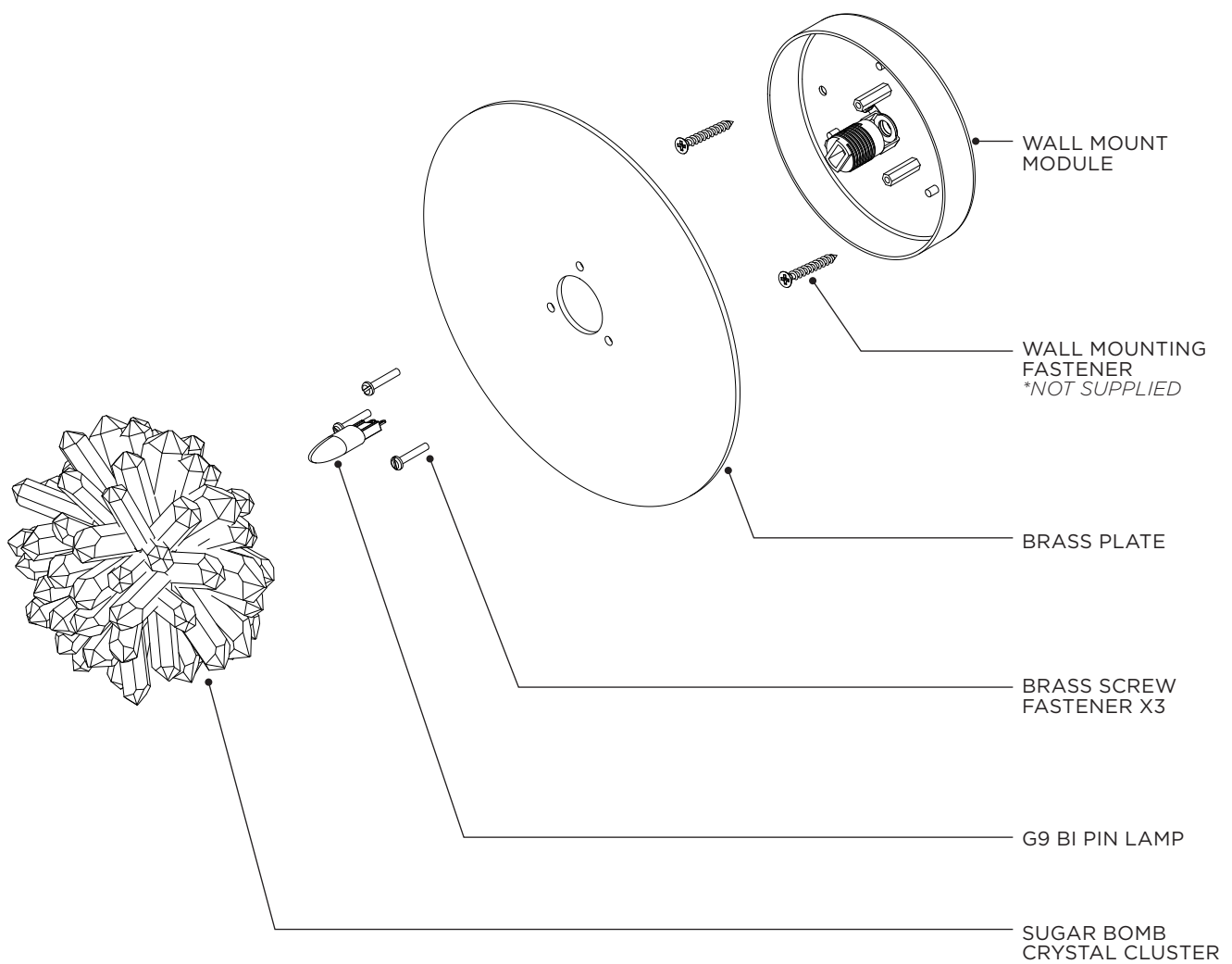


# INSTALLATION GUIDE

## SUGAR BOMB

SB.W.S



CHRISTOPHER BOOTS

+61 3 9417 6501  
service@christopherboots.com  
369 Gore St Fitzroy 3065 Victoria Australia

CHRISTOPHER BOOTS

| twentieth

sales@twentieth.net

323.904.1200

www.twentieth.net

# INSTALLATION GUIDE

## SUGAR BOMB

SB.W.S



### **WARNING: SHOCK HAZARD**

May result in serious injury or death.  
ENSURE POWER IS OFF before commencing any work.



### **WARNING: ELECTRICAL**

ALL ELECTRICAL connections must be made by a qualified electrician in accordance with the regulations and codes governing the area for which the CHRISTOPHER BOOTS Fixture is intended to be installed in. Failure to do so may result in serious harm or damage to property and life, at the owner's liability and expense.

CHRISTOPHER BOOTS will not be held liable for any damage caused from installation.



### **WARNING: STRUCTURAL**

Ensure that the substrate is securely installed and is in accordance with local building regulations. Failure to do so may potentially result in serious harm or damage of property, at the owner's liability and expense.

CHRISTOPHER BOOTS will not be held liable for any damage caused from installation.



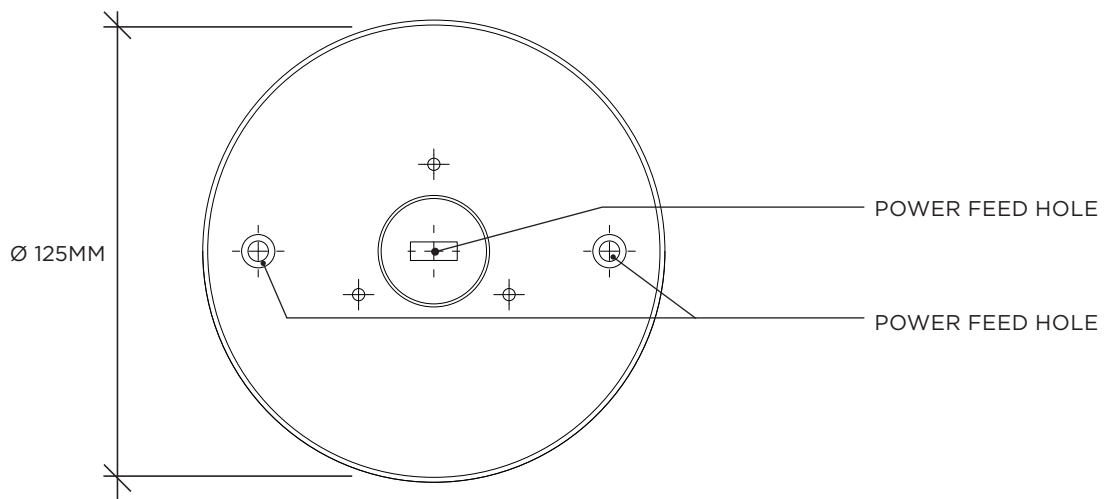
Refer to supplied WIRING DIAGRAM.

# INSTALLATION GUIDE

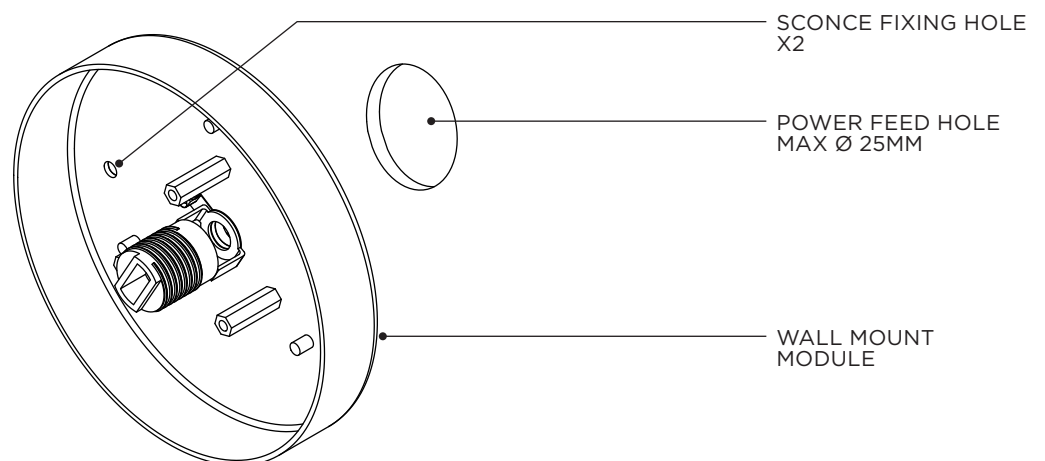
## SUGAR BOMB

SB.W.S

- 1 Wearing gloves, unpack the SCONCE with care ensuring not to scratch component surfaces. Separate the WALL MOUNT MODULE which will be used as a template for SCONCE installation. Mark out the TWO wall fixing holes then mark out the power feed hole.v



- 2 Remove the WALL MOUNT MODULE and cut the power feed hole.

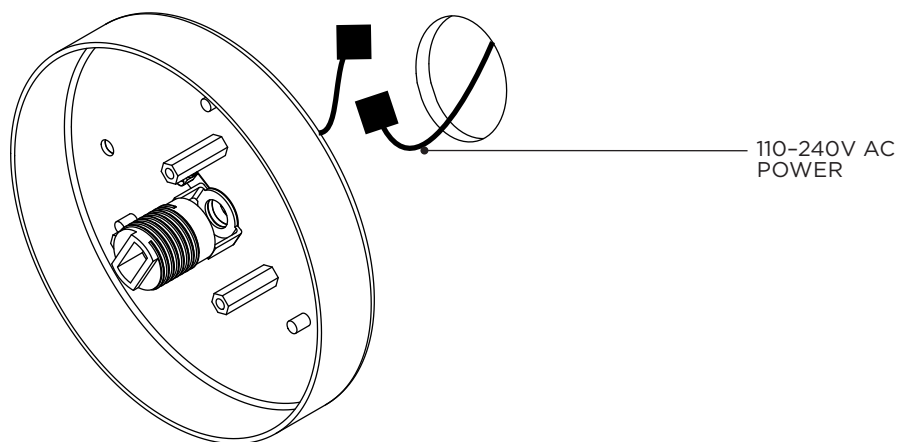


# INSTALLATION GUIDE

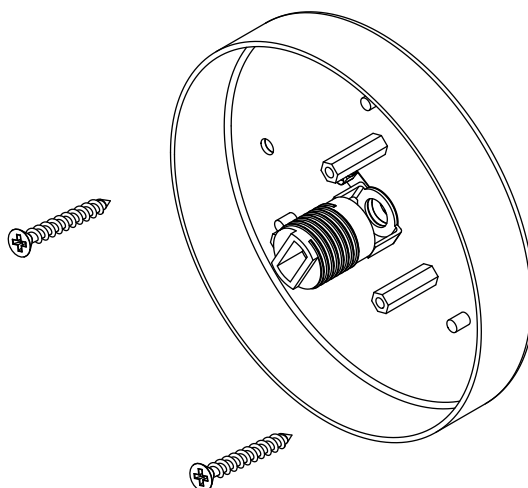
## SUGAR BOMB

SB.W.S

- 3** Connect the 110-240V AC Power to the lamp holders.  
Refer to supplied WIRING DIAGRAM →



- 4** With the electrical connection made, push back wiring into wall cavity and screw fix WALL MOUNT MODULE to the wall. Ensure the wall fixing fasteners are secured to an adequate load bearing substrate.

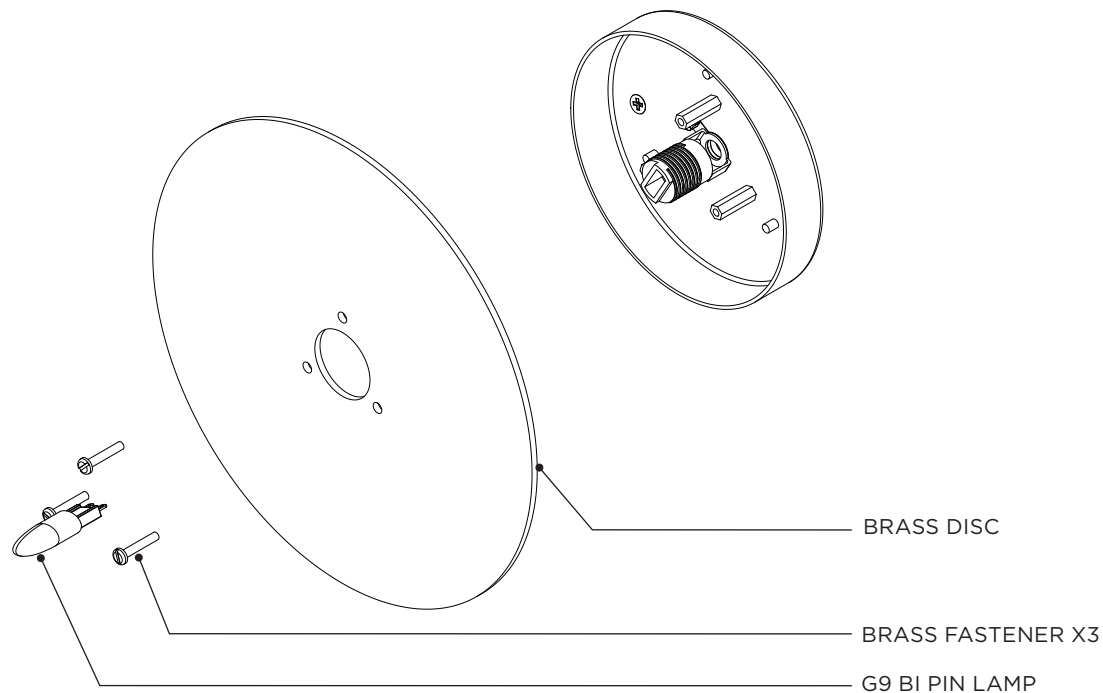


# INSTALLATION GUIDE

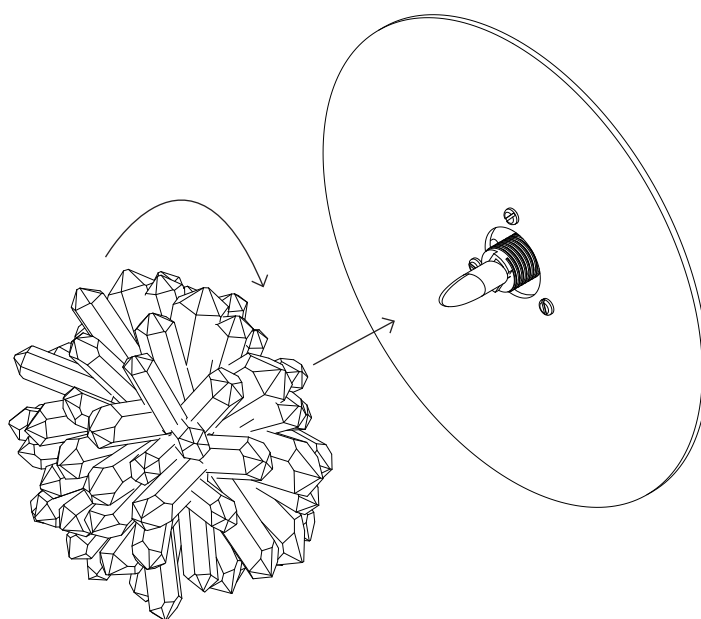
## SUGAR BOMB

SB.W.S

- 5** With the WALL MOUNT MODULE installed, align and fit the BRASS DISC with the three brass screw fasteners, ensure not to scratch or mark the disc. Insert the lamp and power on to ensure correct working order.



- 6** Carefully screw on the sugar bomb crystals by winding them in a clock wise direction. These need only to be wound on by hand. Take care not to scratch the BRASS DISC in the process and do not apply excessive turning pressure.

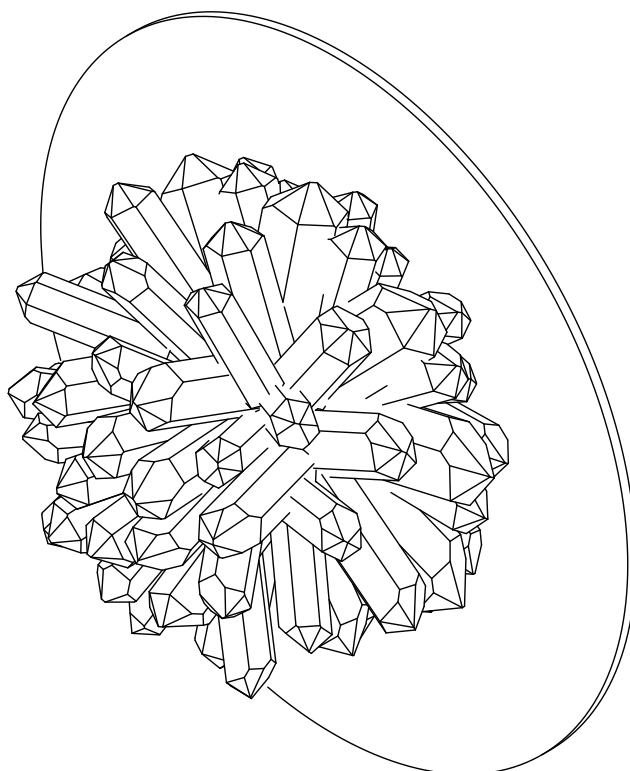


# INSTALLATION GUIDE

## SUGAR BOMB

SB.W.S

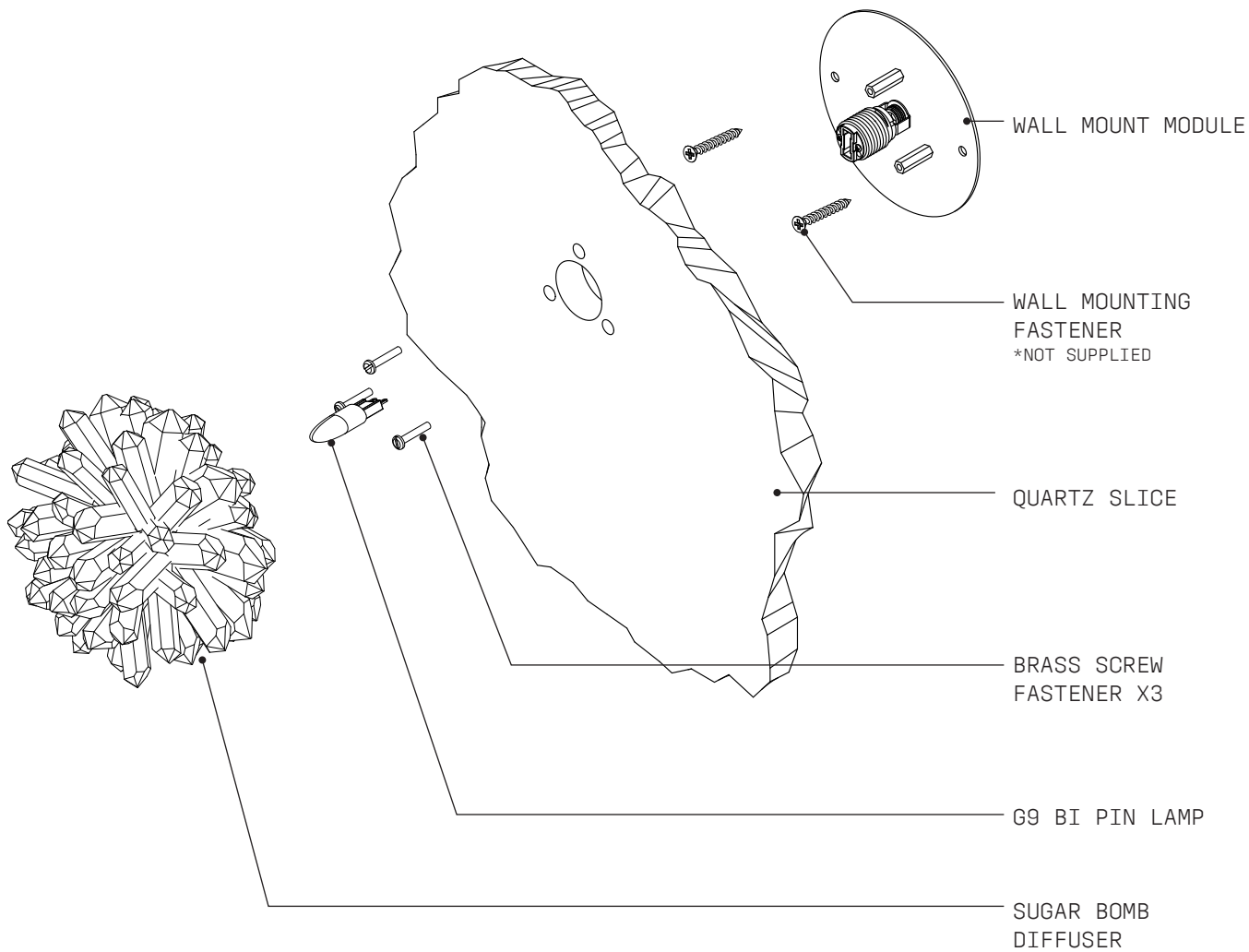
- 7 Switch on the sconce and conduct a final visual assessment to ensure all parts have been properly fitted and secured. Once satisfied that everything is in working order, the installation process is now complete.



FINISH

# SUGAR BOMB SCONCE MONO STONE

SB.S.M.S





## **WARNING: SHOCK HAZARD**

May result in serious injury or death.  
ENSURE POWER IS OFF before commencing any work.



## **WARNING: ELECTRICAL**

ALL ELECTRICAL connections must be made by a qualified electrician in accordance with the regulations and codes governing the area for which the CHRISTOPHER BOOTS Fixture is intended to be installed in. Failure to do so may result in serious harm or damage to property and life, at the owner's liability and expense.

CHRISTOPHER BOOTS will not be held liable for any damage caused from installation.



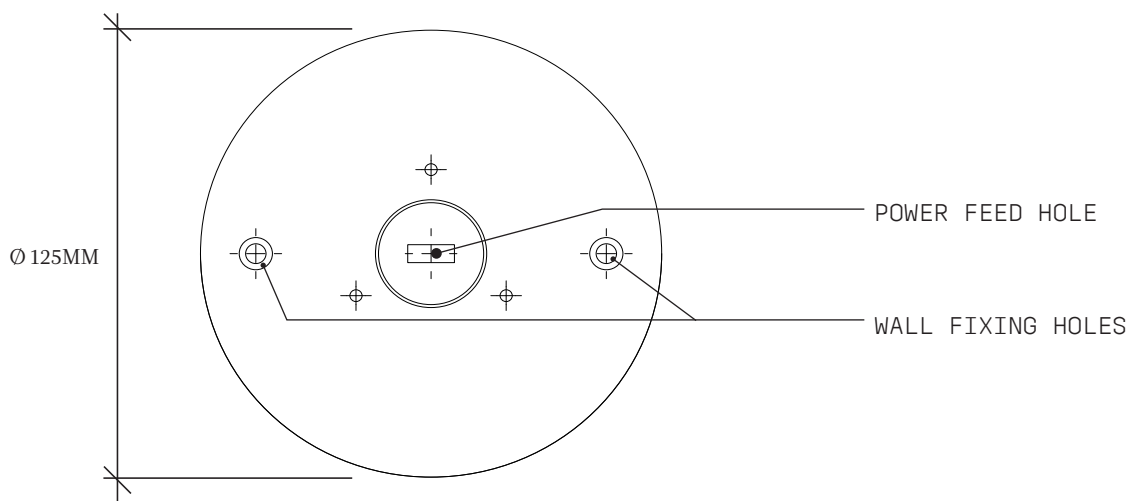
## **WARNING: STRUCTURAL**

Ensure that the substrate is securely installed and is in accordance with local building regulations. Failure to do so may potentially result in serious harm or damage of property, at the owner's liability and expense.

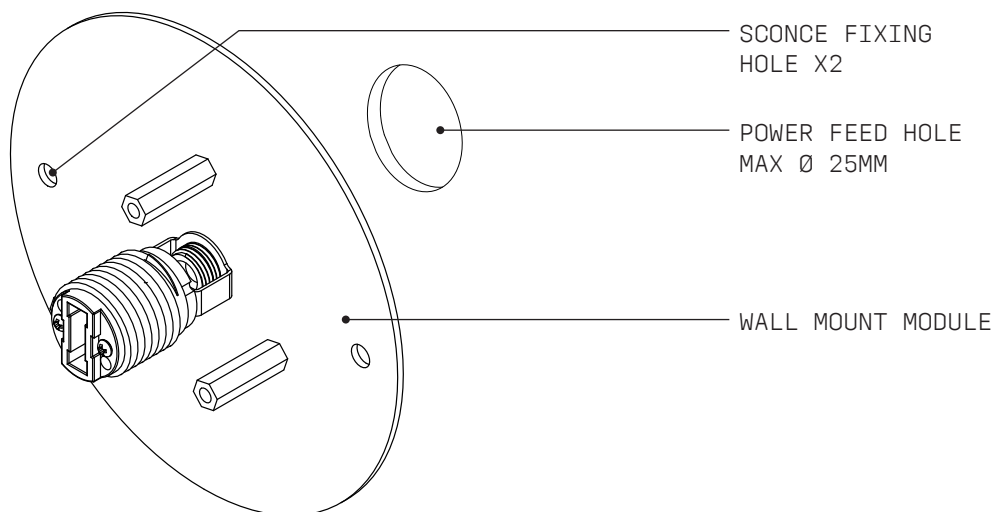
CHRISTOPHER BOOTS will not be held liable for any damage caused from installation.



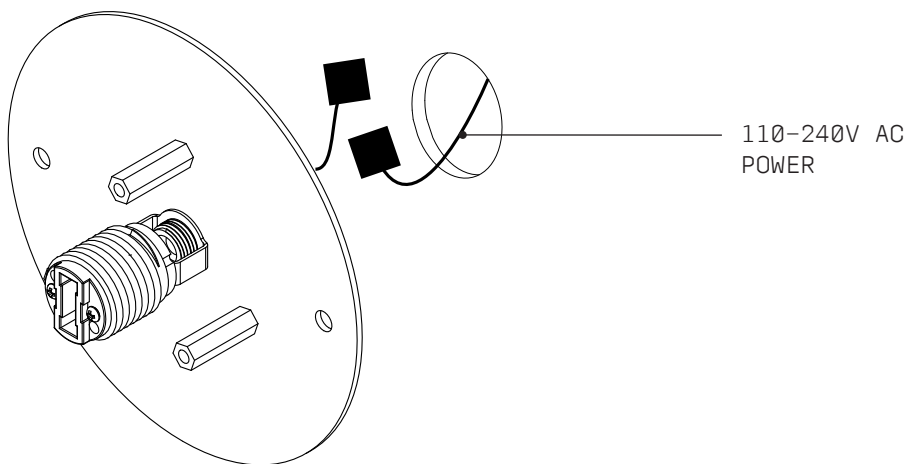
- 1 Wearing gloves, unpack SUGAR BOMB SCONCE with care, ensuring not to scratch component surfaces.  
 — Separate WALL MOUNT MODULE and mark out WALL FIXING HOLES & POWER FEED HOLE.



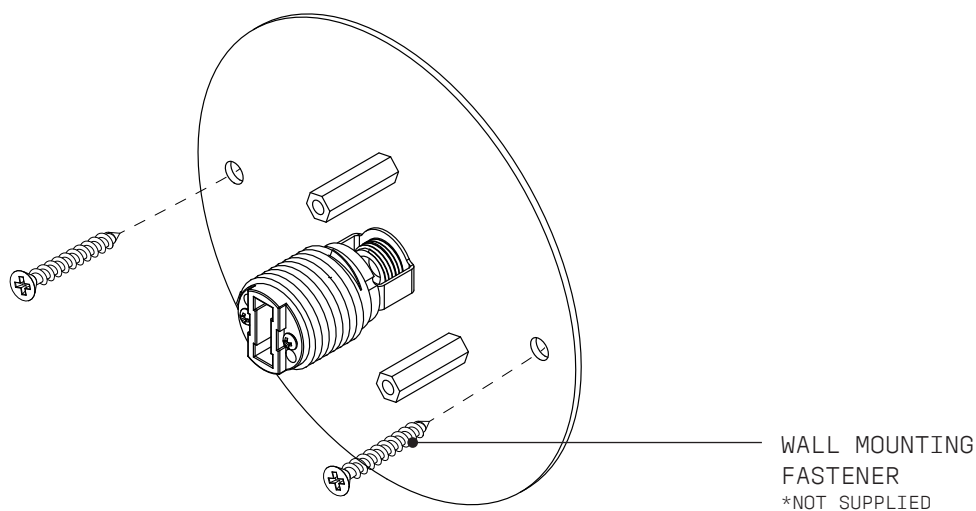
- 2 Remove WALL MOUNT MODULE and cut POWER FEED HOLE.



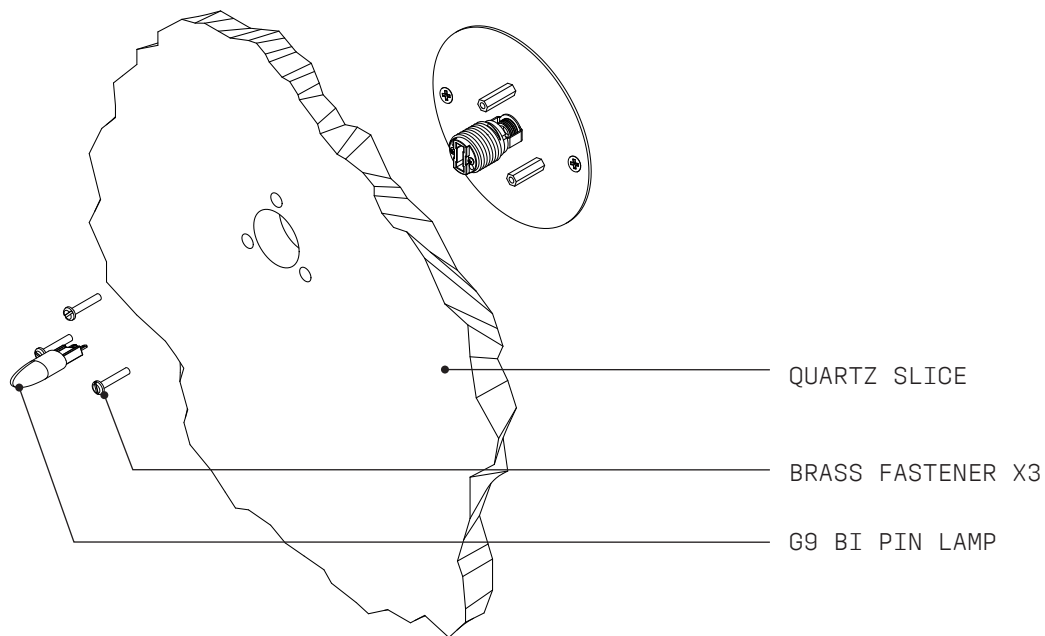
- 3 — Connect the 110-240V AC Power to the lamp holders.  
Refer to supplied WIRING DIAGRAM →



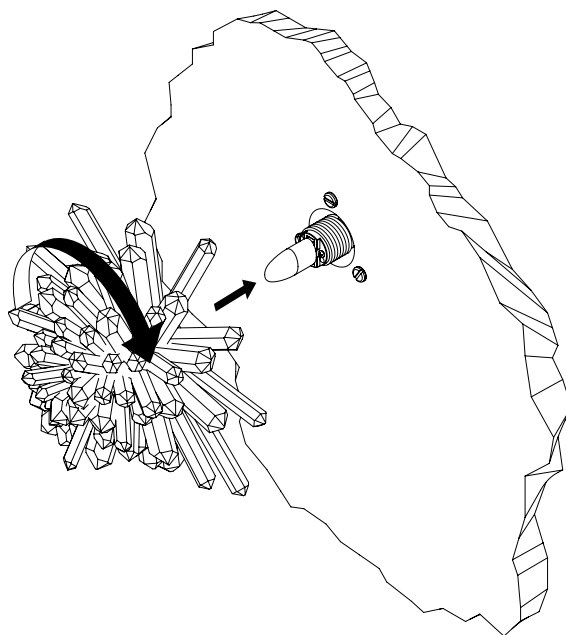
- 4 — With electrical connection made, push wiring into wall cavity and fix WALL MOUNT MODULE to adequate load bearing substrate.



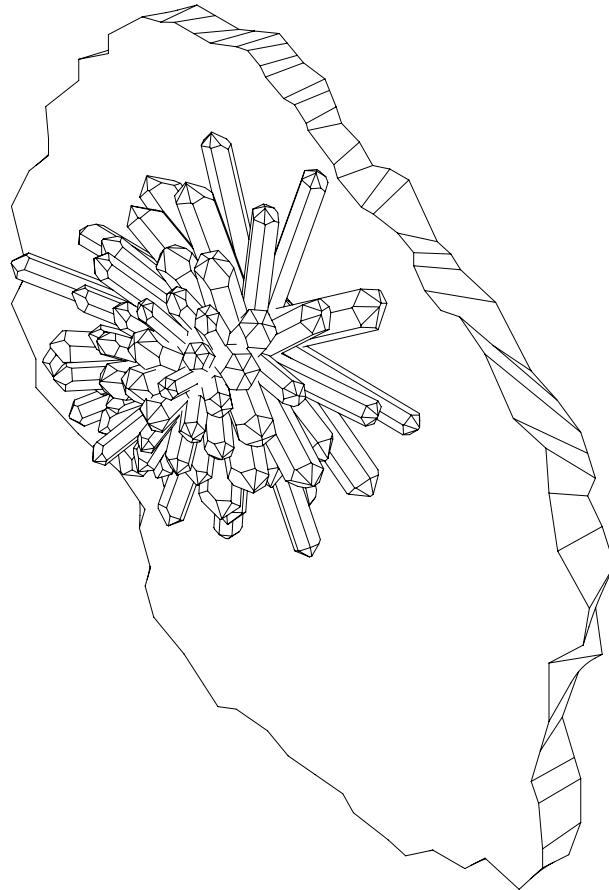
- 5 — With the WALL MOUNT MODULE installed, align and fit the QUARTZ SLICE with the three brass screw fasteners, ensure not to scratch or mark the disc. Insert the lamp and power on to ensure correct working order.



- 6 — Carefully screw on SUGAR BOMB DIFFUSER. These need only to be wound on by hand. Take care not to scratch the QUARTZ SLICE. Do not apply excessive turning pressure.

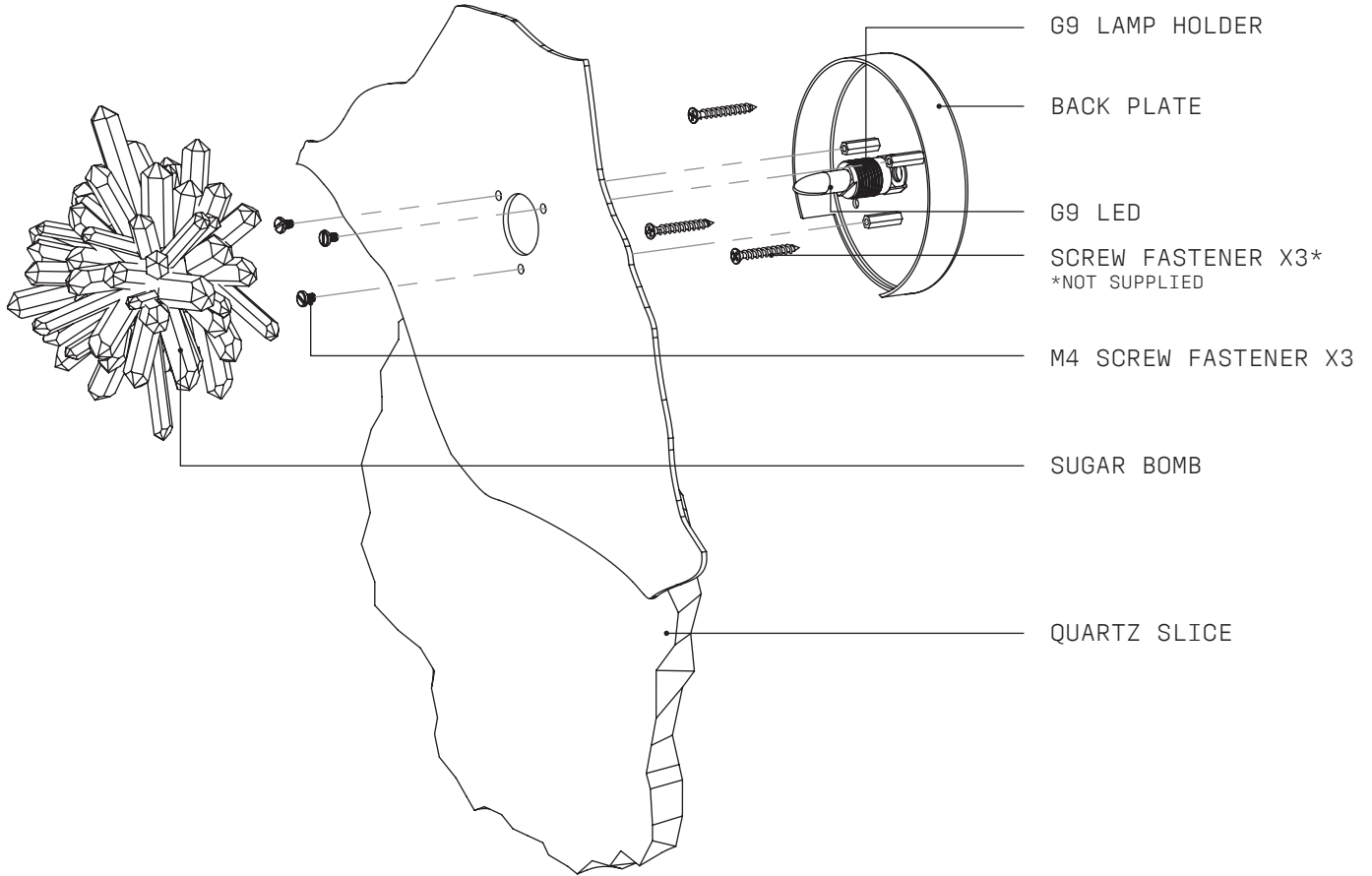


- 7 — Switch on SUGAR BOMB WALL SCONCE and conduct a final visual assessment to ensure all parts have been properly fitted and secured. Once satisfied that everything is in working order, the installation process is now complete.



FINISH

# SUGAR BOMB W/ QUARTZ SLICE & BRASS SCONCE



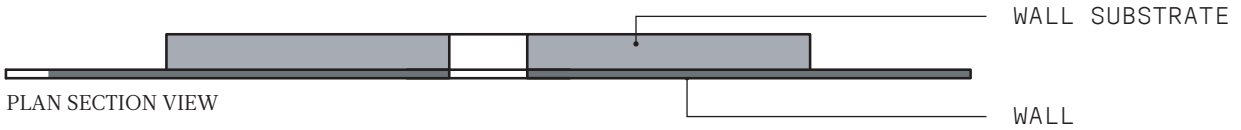
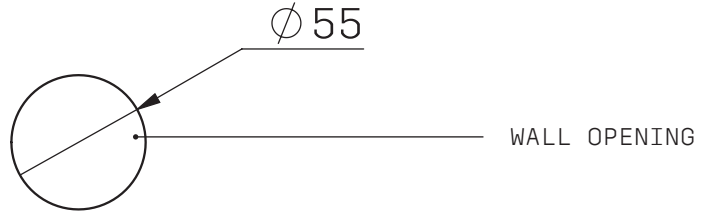
## WARNING

ALL ELECTRICAL CONNECTIONS MUST BE MADE BY A QUALIFIED ELECTRICIAN IN ACCORDANCE WITH THE REGULATIONS AND CODES GOVERNING THE AREA FOR WHICH THE CHRISTOPHER BOOTS FIXTURE IS INTENDED TO BE INSTALLED IN. FAILURE TO DO SO MAY RESULT IN SERIOUS HARM OR DAMAGE TO PROPERTY AND LIFE, AT THE OWNER'S LIABILITY AND EXPENSE. CHRISTOPHER BOOTS WILL NOT BE HELD LIABLE FOR ANY DAMAGE CAUSED FROM INSTALLATION.

1 Wearing gloves, unpack the SUGAR BOMB SCONCE with care, ensuring not to scratch any surfaces.

Carefully unscrew 3x M4 SCREW FASTENERS and disconnect the QUARTZ SLICE.

2 Cut a 55mm opening in the WALL and SUBSTRATE for 120-240V AC power entry.

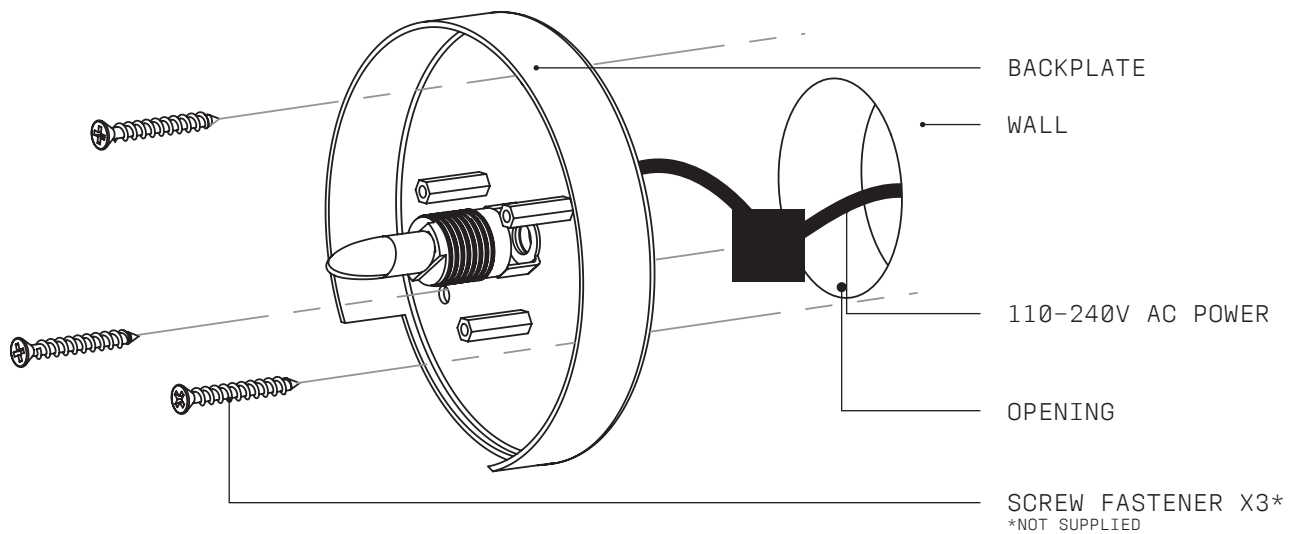


3 Connect the POWER CABLE from the SCONCE to 120-240V AC POWER. Refer to supplied WIRING DIAGRAM

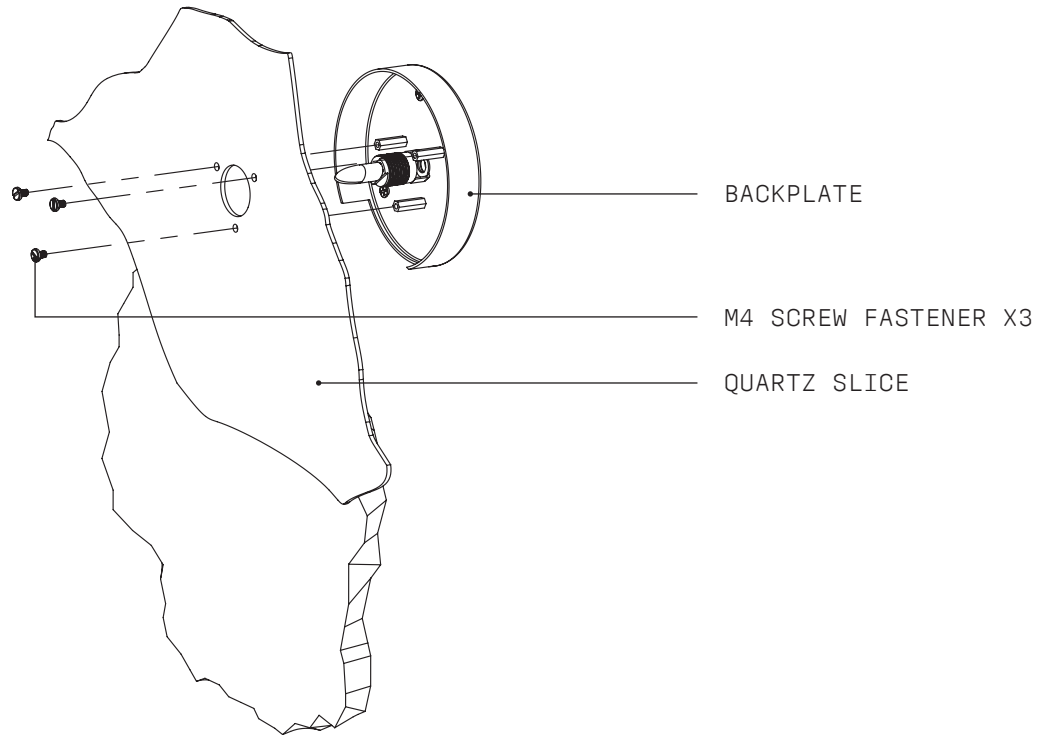


Using appropriate 3x FASTENERS, attach BACKPLATE to WALL SUBSTRATE.

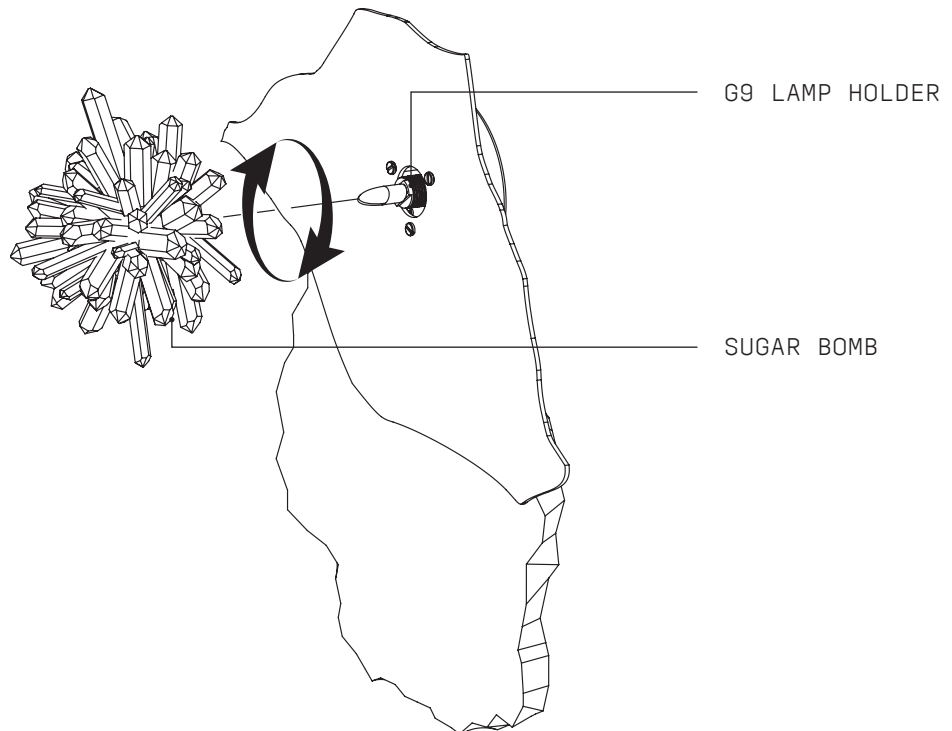
NOTE: Position opening on BACK PLATE in the direction you wish the QUARTZ SLICE to be.



- 5 Carefully slide QUARTZ SLICE onto the BACKPLATE. Gently fasten in place QUARTZ SLICE with 3x M4 SCREW FASTENERS. **DO NOT OVER TIGHTEN.**



- 6 Carefully screw SUGAR BOMB onto G9 LAMP HOLDER in clockwise direction. Conduct a final visual assessment of SUGAR BOMB SCONCE to ensure proper fitting. Once satisfied that everything is in working order the installation is complete. Please dispose of packaging material thoughtfully.



## CARE INSTRUCTIONS

- Remove dust by simply running an electrostatic duster or dry cloth every few weeks over all external surfaces.
- Take particular care when dusting the internal surfaces as these are extremely delicate. A clean lint-free cloth will be ample.
- Seek professional advice if more than dusting is required.
- We recommend the use of micro fibre cloths.

## WARRANTY

1. Christopher Boots offers a 36 month / 3 year warranty from date of receipt of balance payment on all light fittings supplied (not installation) against mechanical defects.
2. Christopher Boots will repair or replace defective components or product within this warranty period.
3. Warranty for componentry includes:
4. LED lamps and strips: 3 years / 36 months after receipt.
5. LED drivers 60w: 3 years / 36 months after receipt.
6. LED drivers 100w + 150w: 5 years / 60 months after receipt.
7. Incandescent lamps: no warranty – no manufacturer warrants filament lamps.
8. Fixtures are labeled clearly with the maximum allowable wattage therefore responsibility of purchaser / end client to ensure correct lamps & wattages are compliant.
9. If unsure, please contact sales@christopherboots.com
10. Please note: use of higher wattage bulbs than indicated will forfeit warranty.
11. Warranty claims, however will require client to cover shipping enroute back for repair.

## CHRISTOPHER BOOTS WILL NOT BE HELD RESPONSIBLE FOR THE FOLLOWING

1. Damage caused by improper cleaning solutions or methods.
2. Damage caused by improper installation or assembly by customer or customer's agent.
3. Damage caused by improper use of light bulbs:
4. Installers ensure screwing lamps / glass lamp cover inline with trajectory of product branch + lampholder upon lamp replacement.
5. A screwing motion of slightest angle may cause cross-threading & breakage not covered under warranty.
6. Damage caused by exposure to weather or improper environment – client to check ip rating prior to purchase.
7. Changes in appearance of hand applied finishes or unlacquered finishes.
8. Please note that these finishes are designed to age in appearance.
9. Any costs of installation, removal, or re-installation.
10. Restoration, repair work & any parts purchased separately from supplied light fixtures.
11. Damage caused during shipping- all items are packed specifically for global transport.

## DAMAGES

1. Damages must be documented and reported within 7 business days of receipt.
2. Photo evidence will be required upon reporting of damage claim.
3. Christopher Boots is not responsible for repair or replacement of damages reported after this time.
4. If damage has occurred in shipping – all packaging must be retained by receiver. Failure to do so may invalidate any claim.

## RETURNS

1. Because of the hand-made nature of our product, we unable to offer returns.



## WARRANTY AGAINST DEFECTS

### A. Definitions

In this warranty **Australian Consumer Law** means the Australian consumer law set out in Schedule 2 to the Competition and Consumer Act 2010.

Goods means the product or equipment that was purchased in Australia and listed in the Applicable Product Ranges below.

#### **Manufacturer, We or us** means

Christopher Boots Pty Ltd  
ABN 20 161 794 574

**Supplier** means the authorized distributor or the licensed electrical contractor that sold you the **Goods**.

**You** means you, the original end-user purchaser of the **Goods**.

### B. Warranty Period and Details

The products detailed above are covered by a warranty against manufacturing faults and defects, provided that:

The product is properly installed, and installation is consistent with the manufacturer's instructions, and is installed by suitably trained and qualified installer. The product is not subjected to any unauthorised modifications.

The product is only used for the purpose of decorative illumination, in line with its designated purpose.

The product use is in normal conditions.

Any faults or defects attributable to the misuse, abuse, accident or non-observance of the manufacturer's instructions on the part of the user are specifically excluded.

### C. Extent of the Warranty

**Goods** that prove defective within the Warranty Period by reason or improper workmanship or faulty material, we may, at our own discretion, either repair or replace the **Goods** without charge.

This warranty does not cover any cost related to removal, shipping to or from the return point, or reinstallation of the replace or repair item.

Any parts of the **Goods** replaced during repairs or any product replaced remains the property of Christopher Boots Pty Ltd.

In the event of the **Goods** being replaced during the **Warranty Period**, the warranty on the replacement **Goods** will expire on the same date as the **Warranty Period** of the original **Goods** they are replacing.

### D. Applicable Date/Commencement of Warranty

This warranty commences from the date of purchase from the point of purchase from us. The details of the point of purchase, as well as all contact information for warranty claims and queries, are detailed below;

CHRISTOPHER BOOTS PTY LTD  
328 Napier St. Fitzroy, Vic. Australia 3065  
Ph: +61 3 9417 6501  
Email: mail@christopherboots.com

### E. Claim Process

The customer claim process is as follows:

The customer can make a claim, or enquire about the claim process, by contacting the company as detailed above.

The customer must provide a proof of purchase from the **Supplier**.

Before returning any goods for a warranty claim, the customer must obtain authorization and a Goods Return Authorization (GRA) notice. The customer, at their own expense, then forwards the goods, clearly marked with the GRA notice and with provision for return freight, to us (see above).

Upon receipt of the goods, we will review the claim, and proof of purchase.

If accepted as a valid warranty claim within the terms as described in this document, we will either make suitable repairs or provide an equivalent replacement product.

If the claim is rejected, the customer will be provided with a full explanation, and, if requested, the goods will be returned.

### IMPORTANT

**Our goods come with guarantees that cannot be excluded under the Australian Consumer Law. You are entitled to a replacement or refund for a major failure and for compensation for any other reasonably foreseeable loss or damage. You are also entitled to have the goods repaired or replaced if the goods fail to be of acceptable quality and the failure does not amount to a major failure.**

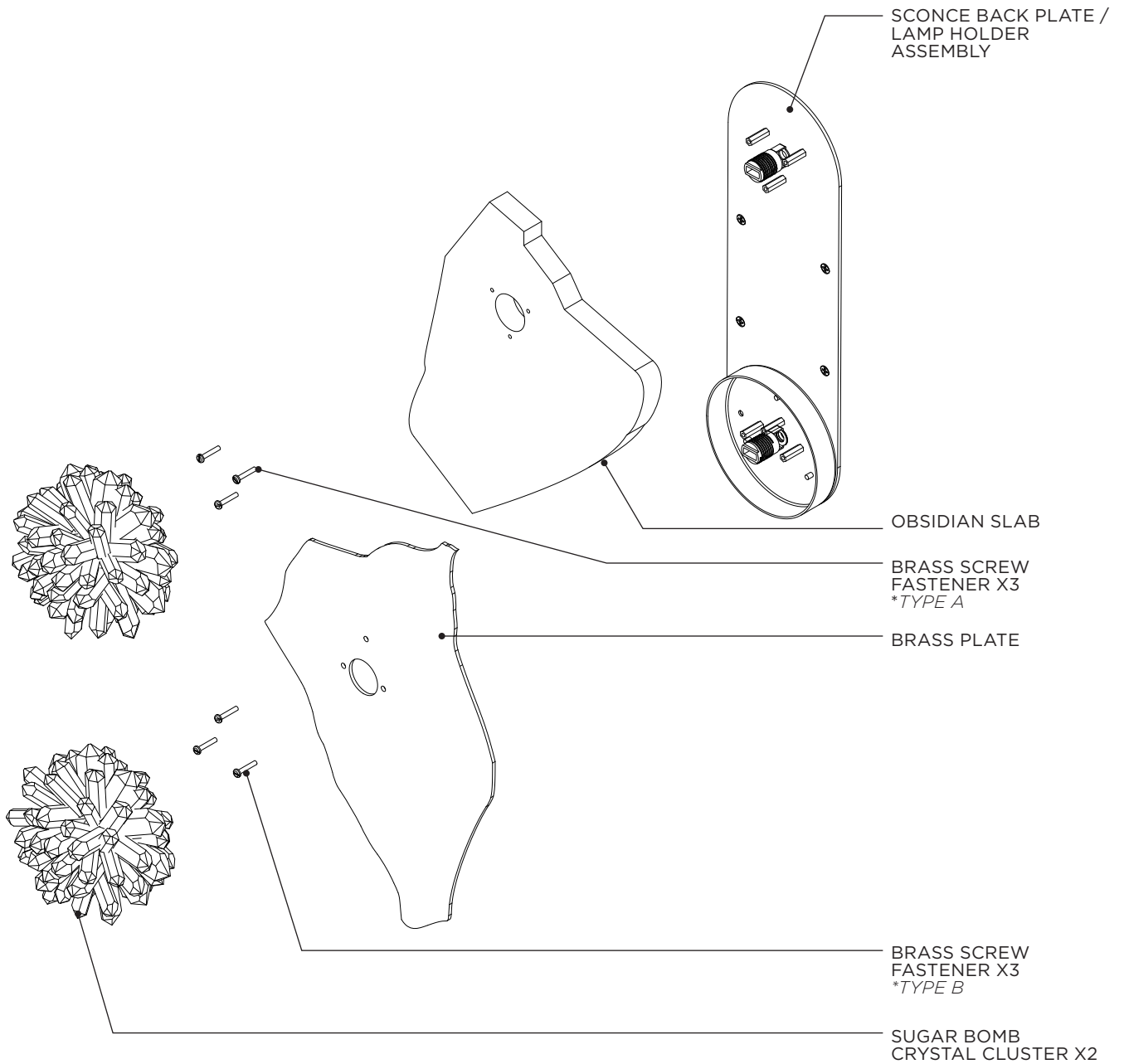
The LED is designed to last for many years, and once it has expired, we offer a replacement service.

Contact us for more information.

# INSTALLATION GUIDE

## SUGAR BOMB

TWIN SCONCE OBSIDIAN



# INSTALLATION GUIDE

## SUGAR BOMB

TWIN SCONCE OBSIDIAN



### **WARNING: SHOCK HAZARD**

May result in serious injury or death.

ENSURE POWER IS OFF before commencing any work.



### **WARNING: ELECTRICAL**

ALL ELECTRICAL connections must be made by a qualified electrician in accordance with the regulations and codes governing the area for which the CHRISTOPHER BOOTS Fixture is intended to be installed in. Failure to do so may result in serious harm or damage to property and life, at the owner's liability and expense.

CHRISTOPHER BOOTS will not be held liable for any damage caused from installation.



### **WARNING: STRUCTURAL**

Ensure that the substrate is securely installed and is in accordance with local building regulations. Failure to do so may potentially result in serious harm or damage of property, at the owner's liability and expense.

CHRISTOPHER BOOTS will not be held liable for any damage caused from installation.



Refer to supplied WIRING DIAGRAM.

CHRISTOPHER BOOTS

+61 3 9417 6501

service@christopherboots.com

369 Gore St Fitzroy 3065 Victoria Australia

CHRISTOPHER BOOTS



twentieth

sales@twentieth.net

323.904.1200

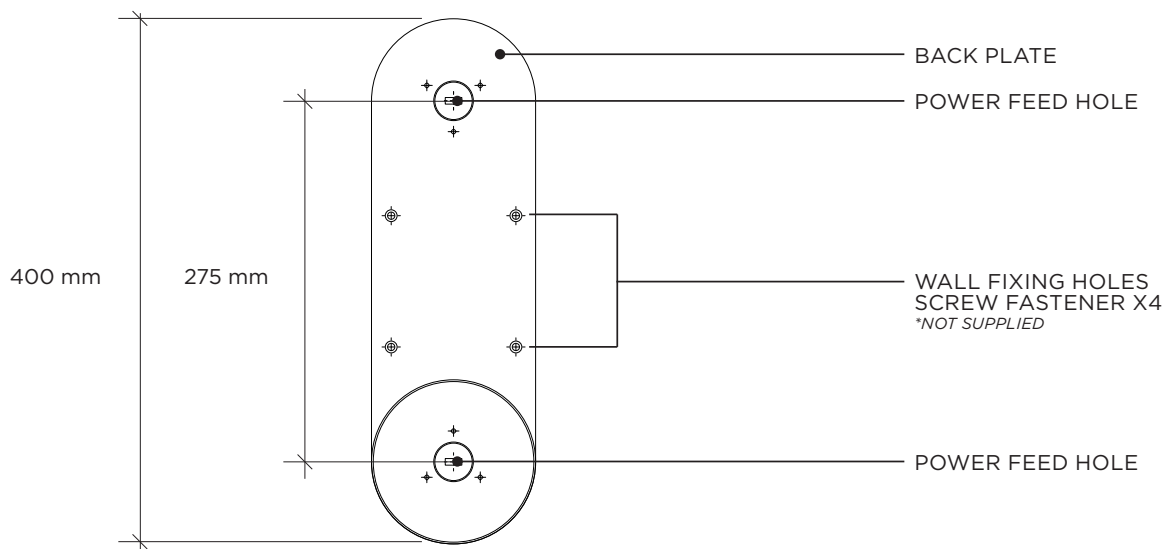
www.twentieth.net

# INSTALLATION GUIDE

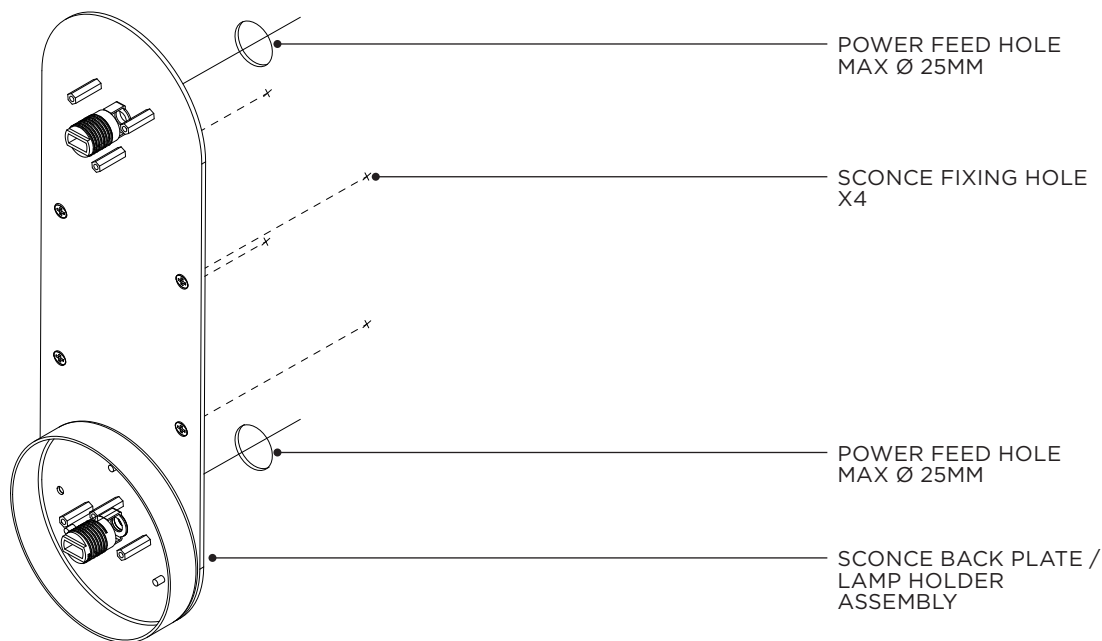
## SUGAR BOMB

TWIN SCONCE OBSIDIAN

- 1 Wearing gloves, unpack the SCONCE with care ensuring not to scratch component surfaces. Separate the BACKPLATE which will be used as a template for SCONCE installation. Mark out the four wall fixing holes then measure and mark out the power feed holes.



- 2 Remove the back plate and cut two power feed holes.

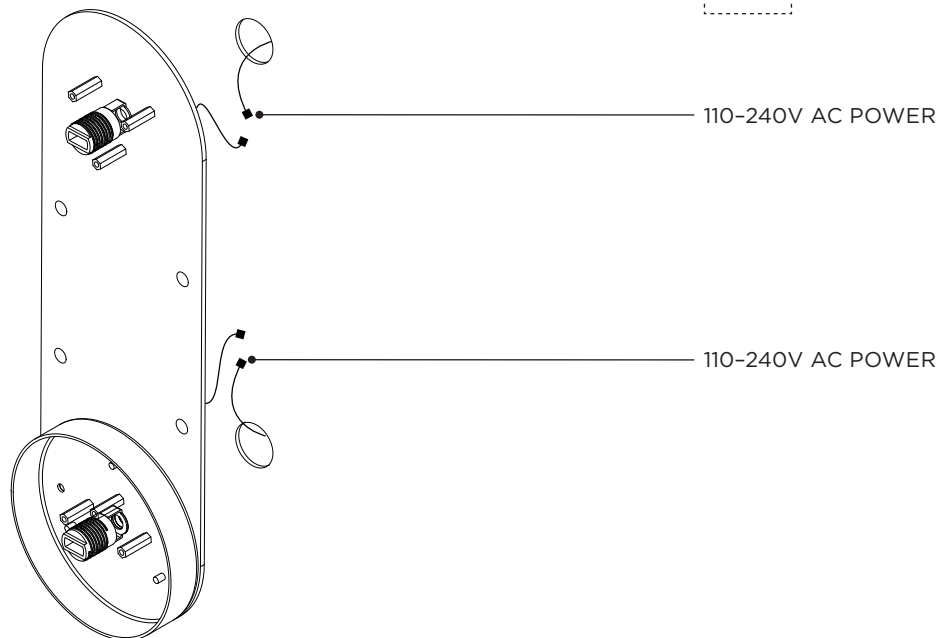


# INSTALLATION GUIDE

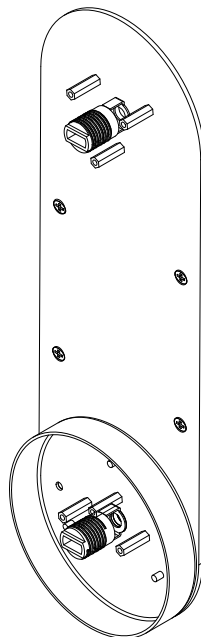
## SUGAR BOMB

TWIN SCONCE OBSIDIAN

- 3** Connect the 110-240V AC Power to the lamp holders.  
Refer to supplied WIRING DIAGRAM →



- 4** With the electrical connection made, push back wiring into wall cavity and screw fix the sconce backplate to the wall. Ensure the wall fixing fasteners are secured to an adequate load bearing substrate.

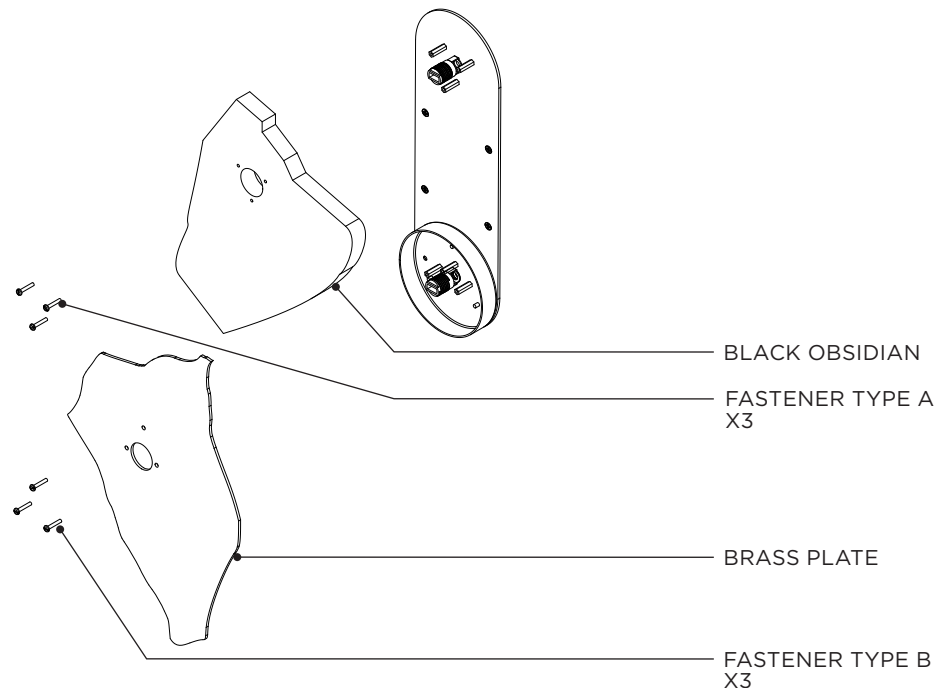


# INSTALLATION GUIDE

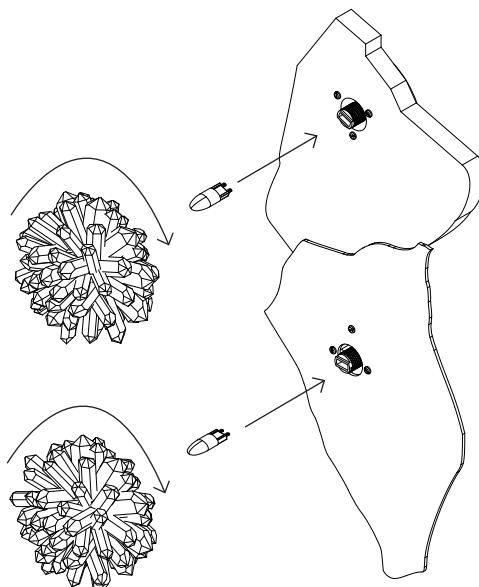
## SUGAR BOMB

TWIN SCONCE OBSIDIAN

- 5** First attach the Black Obsidian slab securing it with the supplied TYPE A screw fasteners x3. Note TYPE A screw fasteners are shorter than TYPE B fasteners. Repeat the process with the BRASS PLATE



- 6** Plug in the supplied G9 lamps then fit and screw on the sugar bomb crystals by winding them in a clock wise direction. These need only to be wound on by hand. Take care not to scratch the BRASS PLATE and BLACK OBSIDIAN in the process and do not apply any turning pressure.

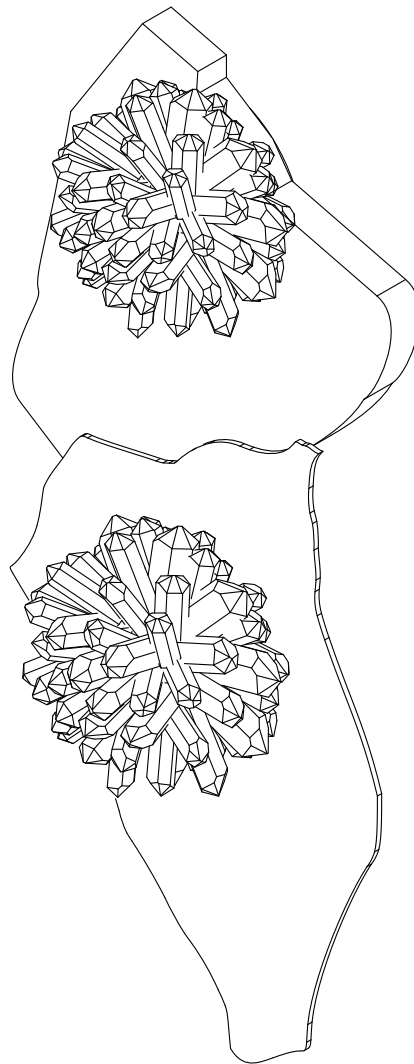


# INSTALLATION GUIDE

## SUGAR BOMB

TWIN SCONCE OBSIDIAN

- 7 Switch on the sconce and conduct a final visual assessment to ensure all parts have been properly fitted and secured. Once satisfied that everything is in working order, the installation process is now complete.



FINISH