



ARBOUR

LINEAR PENDANT

A continual timber solid, formed to unite space and celebrate the beauty of the natural. Arbour is a linear timber light which creates the perfect downward luminosity. Created by the divergence of two curves that flow along and around the product.

Solid American Walnut, Rock Maple, American Oak or Black Stained marries perfectly with the hand polished champagne anodised elements.

AVAILABLE FINISHES



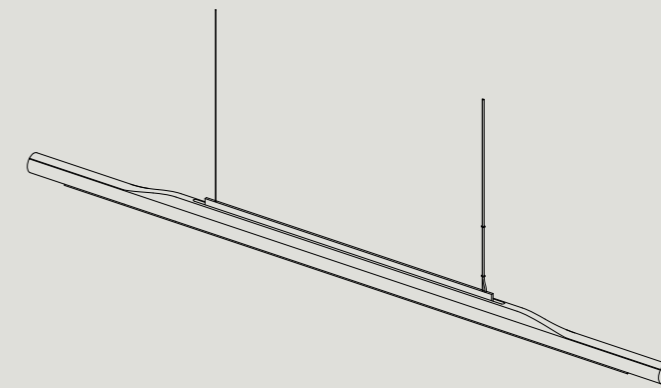
ROCK MAPLE SOLID TIMBER AMERICAN WALNUT SOLID TIMBER AMERICAN OAK SOLID TIMBER BLACK STAINED SOLID TIMBER

TECHNICAL

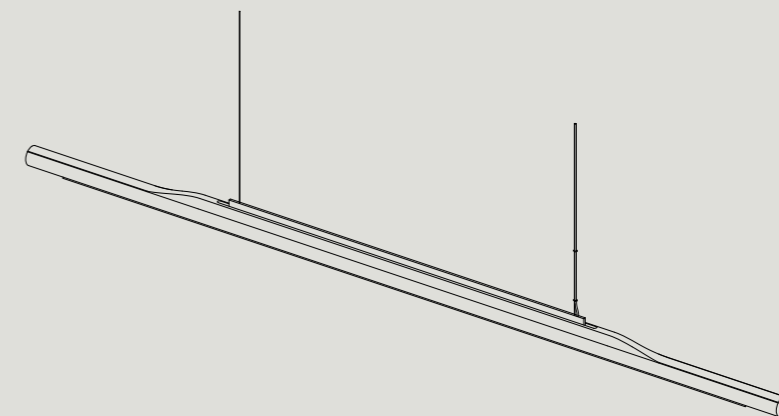
MATERIAL	SOLID TIMBER, ANODISED ALUMINIUM
LAMPING	HIGH-OUTPUT 24V COMMERCIAL GRADE LED STRIP WITH EXTERNAL DRIVER. 3000K WARM WHITE, CRI>80, DIMMABLE CONSUMPTION: 14.64W/METRE OUTPUT LUMINANCE: 1385LM/METRE IF THE CEILING CAVITY CANNOT HOUSE THE DRIVER PLEASE CONTACT THE STUDIO FOR FURTHER OPTIONS.
LED LIFESPAN	50,000 HRS
CONTROL	AVAILABLE AS; 1-10V, PHASE, DALI OR NON-DIMMING - PLEASE SPECIFY WHEN ORDERING. DIMMING RANGE 10 - 100% FOR OPTIMAL DIMMING PERFORMANCE WE RECOMMEND SOURCING A ROTARY OR PUSH BUTTON DIMMER WITH AN ADJUSTMENT DIAL CAPABLE OF SETTING THE DIMMING RANGE OF THE FIXTURE.
CERTIFICATION	AU/NZ AS/NZS 60598.1, 60598.2.1 EU EN 60598.1, 60598.2.1 US/CAN Testing available upon request.
IP RATING	IP20 - FOR INDOOR USE ONLY
CANOPY	Ø120 X 30MM CEILING CANOPY (X2). CIRCULAR FINISH AND ANODISED TO MATCH THE ACCENT CHAMPAGNE FINISH OF ARBOUR. MOUNTING HOLES TO SUIT STANDARD 4" JUNCTION BOXES FOR US/CAN REGION.
CORD	2M / 7' CLEAR CORD AND SUSPENSION WIRE NOTE: LONGER LENGTHS AVAILABLE UPON REQUEST

PRODUCT CODES SKU	EG. APS-H-AWT - ARBOUR LINEAR PENDANT STANDARD IN AMERICAN WALNUT
APS-H-XXX	ARBOUR LINEAR PENDANT STANDARD
APL-H-XXX	ARBOUR LINEAR PENDANT LONG
FINISHES FOR ALL VARIATIONS:	TIMBER: ROCK MAPLE (H-RKM), AMERICAN WALNUT (H-AWT), AMERICAN OAK (H-OAK) AND BLACK STAINED (H-BLK)
DIMENSIONS	VARIOUS - SEE DIMENSIONS ON FOLLOWING PAGE*
WEIGHT	ALPS - 3.0KG / 6.6LB ALPL - 4.0KG / 8.8LB
PACKAGING	ALPS - Ø 14CM L 200CM / Ø 5.5" L 78.7" ALPL - Ø 14CM L 240CM / Ø 5.5" L 94.5"
PACKAGING WEIGHT	ALPS - 5.0KG / 11.0LB ALPL - 6.0KG / 13.2LB

DIMENSIONS



ALPS
L 1850 W 50 H 85
L 72" W 1.9" H 3.4"
CEILING CANOPY SPACING L782 / 30.8"



ALPL
L 2200 W 50 H 85
L 86" W 1.9" H 3.4"
CEILING CANOPY SPACING L982 / 38.6"