



NEBULAE

VERTICAL CHANDELIER

The Nebulae collection takes its name from the natural phenomena of interstellar clouds and their dynamic layered lighting effects. The geometric machined forms coupled with the fluid glass discs creates a balance between the elements. Designed for use in larger open spaces, working in modular configurations, the Nebulae Vertical Chandelier Collection is inspired by the diffusion of natural light.

Available in several configurations (including a Horizontal Chandelier), several glass finishes, the Nebulae Vertical Chandelier is both dynamic and sculptural in its linear form.

AVAILABLE FINISHES



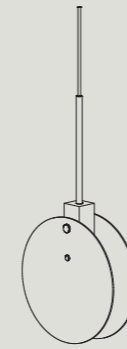
FLUTED CLEAR GLASS TEXTURED BLACK GLASS WHITE PEARL GLASS BLACK ANODISED CHAMPAGNE ANODISED

TECHNICAL

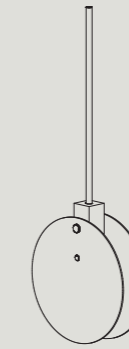
| | |
|---------------|---|
| MATERIAL | ANODISED ALUMINIUM, GLASS |
| LAMPING | 8.5W E27 LED, 806 LM, 2700K WARM WHITE DIMMABLE. SUPPLIED WITH AUS/NZ SALES (220-240V) ONLY (120V) E26 LAMP HOLDER SUPPLIED FOR NORTH AMERICA/CANADA. |
| LED LIFESPAN | 15,000 HRS |
| CONTROL | PHASE-CONTROL / NETWORK-CONTROL DIMMABLE DIMMING RANGE 10 - 100%. FOR OPTIMAL DIMMING PERFORMANCE WE RECOMMEND SOURCING A ROTARY OR PUSH BUTTON DIMMER WITH AN ADJUSTMENT DIAL CAPABLE OF SETTING THE DIMMING RANGE OF THE FIXTURE. |
| CANOPY | Ø120 X 30MM CEILING CANOPY. CIRCULAR FINISH AND ANODISED TO MATCH THE SPECIFIED FINISH OF NEBULAE. MOUNTING HOLES TO SUIT STANDARD 4" JUNCTION BOXES FOR THE US/CAN REGION. |
| CORD | FOR NEBULAE 11 CORDED ONLY - 2M / 7' BLACK (BLACK ANODISED) OR WHITE (CHAMPAGNE ANODISED). NOTE: LONGER LENGTHS AVAILABLE UPON REQUEST |
| IP RATING | IP20 - FOR INDOOR USE ONLY |
| CERTIFICATION | AU/NZ AS/NZS 60598.1, 60598.2.1 EU EN 60598.1, 60598.2.1 US/CAN ETL/UL 1598, CSA C22.2#250.0 |

| | |
|----------------------------------|---|
| PRODUCT CODES SKU | EG. NC.12.G-FLU.A-WCH = NEBULAE 12 IN FLUTED CLEAR GLASS AND CHAMPAGNE ANODISED BODY - DOUBLE CHANDELIER |
| NC.11.G-XXX.A-XXX.C | NEBULAE 11 - SINGLE PENDANT - CORDED |
| NC.11.G-XXX.A-XXX.T | NEBULAE 11 - SINGLE PENDANT - TUBE |
| NC.12.G-XXX.A-XXX | NEBULAE 12 - DOUBLE CHANDELIER |
| NC.13.G-XXX.A-XXX.A | NEBULAE 13 - THREE HANGING CHANDELIER |
| NC.13.G-XXX.A-XXX.B | NEBULAE 13 - THREE HANGING CHANDELIER - OFFSET |
| NC.15.G-XXX.A-XXX.A | NEBULAE 15 - FIVE HANGING CHANDELIER |
| NC.15.G-XXX.A-XXX.B | NEBULAE 15 - FIVE HANGING CHANDELIER - OFFSET |
| FINISHES FOR ALL CONFIGURATIONS: | GLASS: FLUTED CLEAR (G-FLU), BUBBLE BLACK (G-BBL), AND WHITE PEARL (G-PWH) BODY: BLACK ANODISED (A-BLK) AND CHAMPAGNE ANODISED (A-CHM) |
| DIMENSIONS | VARIOUS - SEE DIMENSIONS ON FOLLOWING PAGE* |
| WEIGHT | NEBULAE 11 CORDED & TUBE - 3KG / 6.6LB NEBULAE 12 - 5KG / 11LB NEBULAE 13 & 13 OFFSET- 8KG / 17.6LB NEBULAE 15 & 15 OFFSET - 16KG / 35.2LB |
| PACKAGING | NEBULAE 11 / 12 - 50X50X25CM / 19.7X19.7X9.8" NEBULAE 13 / 13 OFFSET / 15 / 15 OFFSET - 75X50X25CM / 29.5X19.7X9.8" |
| PACKAGING WEIGHT | NEBULAE 11 - 3KG / 6.6LB NEBULAE 12 - 5KG / 11LB NEBULAE 13 & 13 OFFSET- 8KG / 17.6LB NEBULAE 15 & 15 OFFSET - 16KG / 35.2LB |

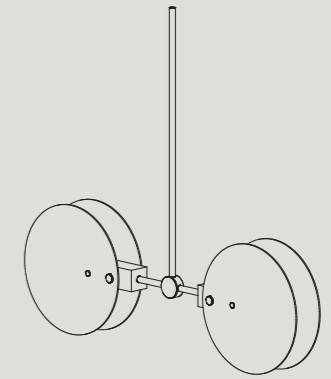
DIMENSIONS



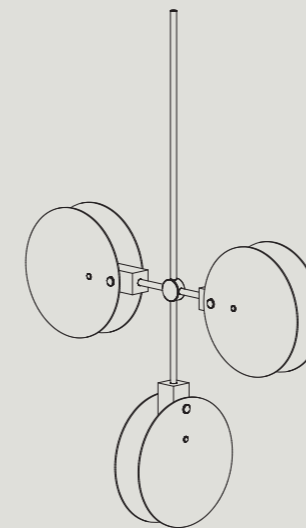
NC11 CORDED
L 300 W 87 H 590
L 11.8" W 3.4" H 23.2"



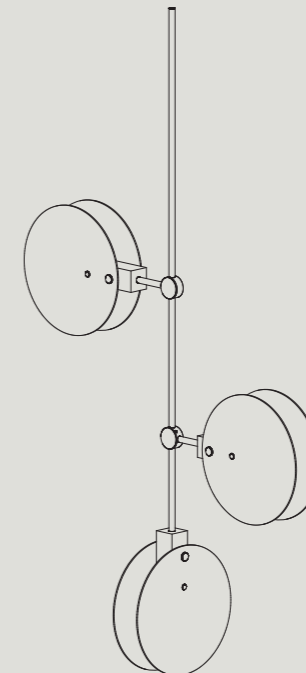
NC11 TUBE
L 300 W 87 H 330*
L 11.8" W 3.4" H 13.0**



NC12
L 870 W 87 H 300*
L 34.3" W 3.4" H 11.8**

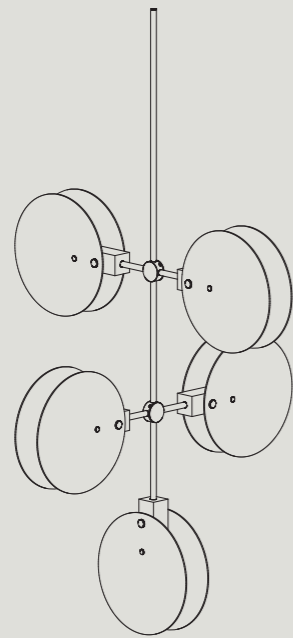


NC13
L 870 W 300 H 696*
L 34.3" W 11.8" H 27.4**

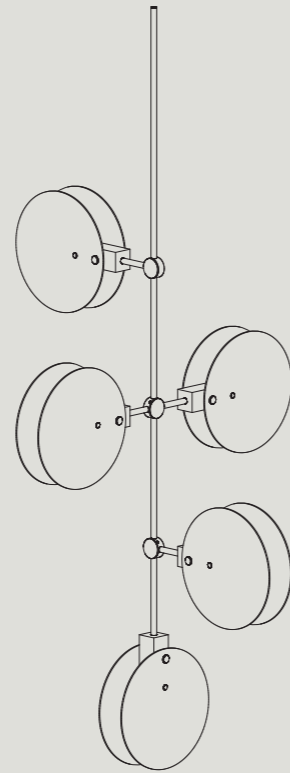


NC13 OFFSET
L 870 W 300 H 1046*
L 34.3" W 11.8" H 41.2**

DIMENSIONS



NC15
L 870 W 870 H 1046*
L 34.3" W 34.3" H 41.2**



NC15 OFFSET
L 870 W 870 H 1396*
L 34.3" W 34.3" H 55.0**