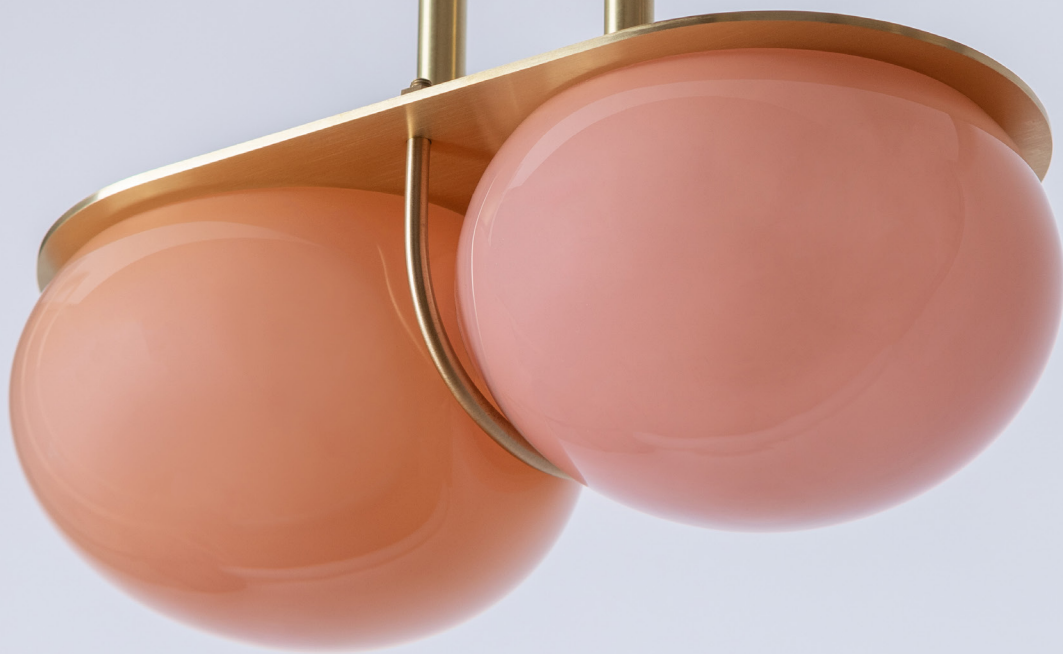


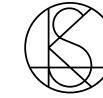
# SKLO



Light



twentieth  
sales@twentieth.net  
323.904.1200  
www.twentieth.net



The desire to bring light to glass is irresistible. It is precisely this unique relationship with light that makes handblown glass so magical. To bring control to this light, to this relationship, is what we explore in Light.

Our process of design and development is painstaking. We bring metal to the glass, to give structure and scale. Rather than an afterthought, it is the relationship between metal and glass that drives our design process. Our designs seek to achieve harmony and balance between these two materials, to give beautiful light. We add technology and complexity, but the light itself must seem natural and effortless.

In our Light collections, our commitment to craft and handmade quality go beyond the handblown glass. Our metals are substantial and solid. Exposed fasteners and expressed joints mark our work. Traditional metalsmithing, custom machining, hand-applied finishes, and careful attention to detail are the hallmarks of SkLO lighting.

SkLO is a design and manufacturing company with locations in both California (SkLO US) and the Czech Republic (SKLO EU). We produce lighting to serve global markets, with certifications such as UL listing and CE marking available.

# SkLO

## Balance 1.0

PENDANT

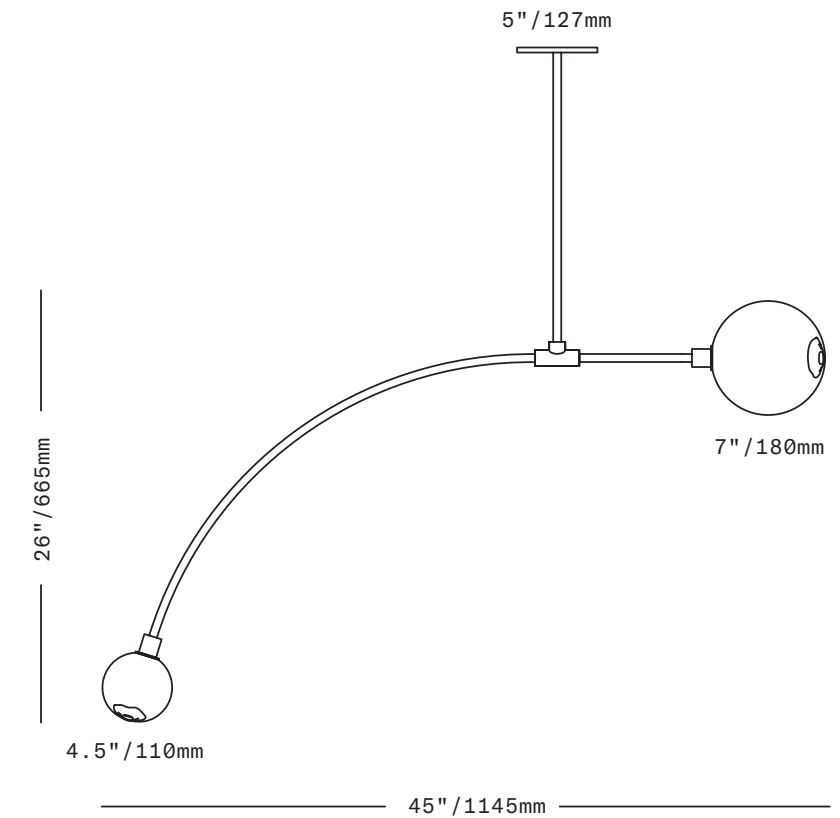


Balance 1.0 Pendants (shown together with Balance 2.0) in white glass and brushed brass metal finish

# SkLO

## Balance 1.0

PENDANT



A minimal, sculptural suspended light composed of a larger lit 7"/180mm sphere of handblown Czech glass on a short horizontal stem opposite a smaller lit 4.5"/110mm sphere on a longer, downward arcing stem. The glass diffusers feature the signature SkLO double-dipped, fire-polished mouths which show where the glass is broken from the blower's pipe, making each unique.

UL listed suitable for dry and damp locations (US & Canada)

Sockets 120V G9 7W Max

LED bulbs included

Requires recessed electrical box for installation

Standard canopy does NOT accommodate sloped ceilings or swagging of this light – other canopy options are available at additional cost – see Canopy Variants specification sheet

Specify overall drop length – Rigid brass tube stems are not field adjustable

Minimum overall drop length: 36"/915mm

Lengths over 60"/1520mm available at additional cost

Fixture weight (approximate): 10lbs/5kg

All glass dimensions are approximate – handblown glass dimensions vary by nature and intent

Made in the Czech Republic

LT500 [---][--] Balance 1.0 Pendant

- Glass colors
- Clear [CLR]
  - New Blue [NBL]
  - Olivin [OLV]
  - Smoke [SMK]
  - White [WHT]
- Metal finishes
- Dark Oxidized [DX]
  - Brushed Brass [BB]
  - Brushed Nickel [BN]
  - Polished Nickel [PN]



twentieth

sales@twentieth.net

323.904.1200

www.twentieth.net

Copyright © May 2023 Sklo.com

4



Copyright © May 2023 Sklo.com

5

# SkLO

## Balance 2.0

PENDANT

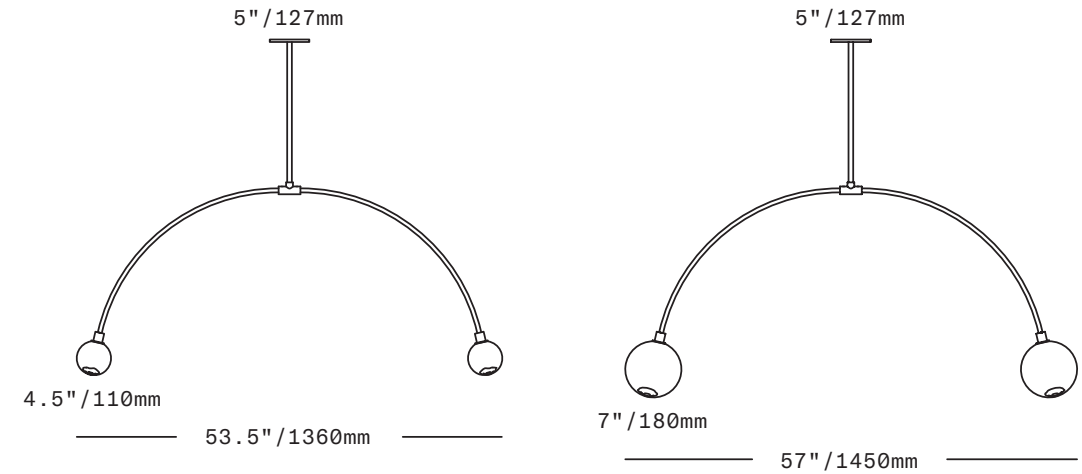


Balance 2.0 Pendant with 4.5"/110mm olivin glass, dark oxidized metal finish and hang-straight canopy variant

# SkLO

## Balance 2.0

PENDANT



Symmetrical downward curving arms hold lit spheres of handblown Czech glass. Suspended on a rigid brass tube stem. Available with two sizes of glass: 4.5"/110mm or 7"/180mm.

UL listed suitable for dry and damp locations (US & Canada)

Sockets 120V G9 7W Max

LED bulbs included

Requires recessed electrical box for installation

Standard canopy does NOT accommodate sloped ceilings or swagging of this light – other canopy options are available at additional cost – see Canopy Variants specification sheet

Specify overall drop length – Rigid brass tube stems are not field adjustable

Minimum overall drop length: 36"/915mm

Lengths over 60"/1520mm available at additional cost

Fixture weights (approximate): 15lbs/7kg (LT502)  
18lbs/8kg (LT503)

All glass dimensions are approximate – handblown glass dimensions vary by nature and intent

Made in the Czech Republic

LT502 [---][--] 4.5"/110mm glass  
LT503 [---][--] 7"/180mm glass

Glass colors

- Clear [CLR]
- New Blue [NBL]
- Olivin [OLV]
- Smoke [SMK]
- White [WHT]

Metal finishes

- Dark Oxidized [DX]
- Brushed Brass [BB]
- Brushed Nickel [BN]
- Polished Nickel [PN]



twentieth

sales@twentieth.net

323.904.1200

www.twentieth.net

Copyright © May 2023 Sklo.com 6



Copyright © May 2023 Sklo.com 7



Photography, Marek Swoboda

twentieth

sales@twentieth.net

323.904.1200

www.twentieth.net

# SkLO

Dew

PENDANT



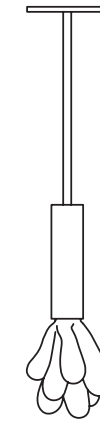
Dew Pendants with clear and frosted clear glass and brushed brass metal finish

# SkLO

Dew

PENDANT

5" / 127mm



5.5" / 140mm



The Dew Pendant is an intense expression of the molten origins of handblown glass. For a diffuser, the Dew Pendant features a solid sculpted glass shape composed of layers of glass applied while hot, giving it a dripping appearance. The glass is permanently affixed to the solid brass armature, hidden behind a minimal brass cylinder, which lifts to give access to the bulb. The fixture uplights slightly through the open top of the cylinder. The glass diffuser is available in either clear glass, or frosted clear glass, for two very different effects.

UL listed suitable for dry and damp locations (US & Canada)

Socket 120V G9 7W Max

LED bulb included

Requires recessed electrical box for installation

Standard canopy does NOT accommodate sloped ceilings or swagging of this light – other canopy options are available at additional cost – see Canopy Variants specification sheet

Specify overall drop length – Rigid brass tube stems are not field adjustable

Minimum overall drop length: 24"/610mm

Lengths over 50"/1270mm available at additional cost

Fixture weight (approximate): 10lbs/5kg

All glass dimensions are approximate – handblown glass dimensions vary by nature and intent

Made in the Czech Republic

LT410 [---][--]

Dew Pendant

Glass colors

- Clear [CLR]
- Frosted Clear [FCL]

Metal finishes

- Dark Oxidized [DX]
- Brushed Brass [BB]
- Brushed Nickel [BN]
- Polished Nickel [PN]



twentieth

sales@twentieth.net

323.904.1200

www.twentieth.net

Copyright © May 2023 Sklo.com

10



Copyright © May 2023 Sklo.com

11

# SkLO

Dew

SCONCE

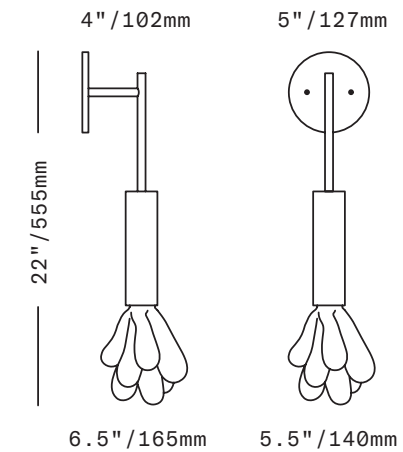


Dew Sconce with frosted clear glass and brushed brass metal finish

# SkLO

Dew

SCONCE



The Dew Sconce is an intense expression of the molten origins of handblown glass. For a diffuser, the Dew Sconce features a solid sculpted glass shape composed of layers of glass applied while hot, giving it a dripping appearance. The glass is permanently affixed to the solid brass armature, hidden behind a minimal brass cylinder, which lifts to give access to the bulb. The fixture uplights slightly through the open top of the cylinder. The glass diffuser is available in either clear glass, or frosted clear glass, for two very different effects.

UL listed suitable for dry and damp locations (US & Canada)

Socket 120V G9 7W Max

LED bulb included

Requires recessed electrical box for installation

Fixture weight (approximate): 7lbs/3kg

All glass dimensions are approximate – handblown glass dimensions vary by nature and intent

Made in the Czech Republic

LT412 [---][--]

Dew Sconce

Glass colors

- Clear [CLR]
- Frosted Clear [FCL]

Metal finishes

- Dark Oxidized [DX]
- Brushed Brass [BB]
- Brushed Nickel [BN]
- Polished Nickel [PN]



twentieth

sales@twentieth.net

323.904.1200

www.twentieth.net

Copyright © May 2023 Sklo.com

12



Copyright © May 2023 Sklo.com

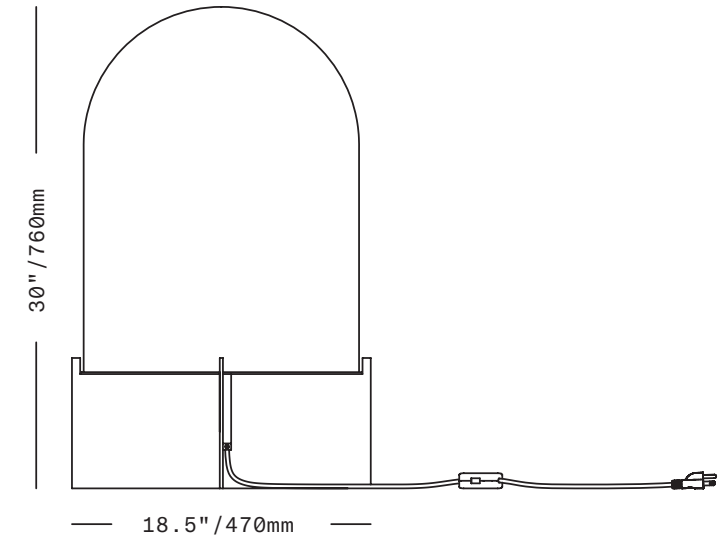
13

**SkLO**  
Dome  
LIGHT



Dome Light with frosted white glass and brushed brass metal finish

**SkLO**  
Dome  
LIGHT



A large dome of handblown Czech glass with a frosted finish rests atop a custom base made of vertical solid brass plates. A brass ring fits onto the base as a seat for the glass dome. Imposing in size, it can work on large furniture, or the floor, depending on the decor. While large, the softness of the frosted glass and minimal presence of the base make it approachable and compelling.

UL listed suitable for dry locations only (US & Canada)

Socket 120V E26 60W Max

LED bulb included

72"/1800mm black fabric-wrapped cord with in-line switch

All glass dimensions are approximate – handblown glass dimensions vary by nature and intent

Made in the Czech Republic

LT337 [---][--] Dome Light

- Glass colors
- Frosted Clear [FCL]
  - Frosted Smokey Brown [FSB]
  - Frosted White [FWT]
- Metal finishes
- Dark Oxidized [DX]
  - Brushed Brass [BB]
  - Brushed Nickel [BN]
  - Polished Nickel [PN]



twentieth

sales@twentieth.net

323.904.1200

www.twentieth.net

Copyright © May 2023 Sklo.com

14



Copyright © May 2023 Sklo.com

15



# SkLO

## Dome 17

PENDANT

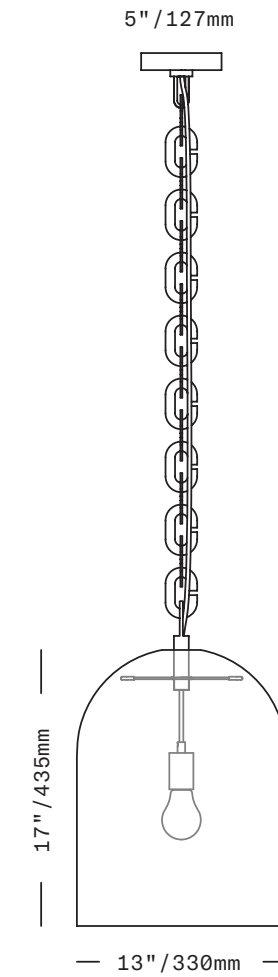


Dome 17 Pendant with frosted clear glass, brushed brass metal finish, black cord

# SkLO

## Dome 17

PENDANT



Large domes of handblown Czech glass with a frosted finish are suspended on lengths of oversized brass chains. An exposed fabric-wrapped electrical cord runs through the chain from canopy to light.

UL listed suitable for dry and damp locations (US & Canada)

Socket 120V E26 60W Max

LED bulb included

Requires recessed electrical box for installation

Accommodates sloped ceilings

Field adjustable – comes standard with 18 chain links or approximately 36" of chain – 6 chain links equals approx 12" – additional chain links available in 6 link increments at additional cost

Fixture weight (approximate): 15lbs/7kg

All glass dimensions are approximate – handblown glass dimensions vary by nature and intent

Made in the Czech Republic

- LT335 [--][--] Dome 17 Pendant
- Glass colors
- Frosted Clear [FCL]
  - Frosted Smokey Brown [FSB]
  - Frosted White [FWT]
- Metal finishes
- Dark Oxidized [DX]
  - Brushed Brass [BB]
  - Brushed Nickel [BN]
  - Polished Nickel [PN]
- Cord Colors
- Black
  - Blue
  - Gold
  - Gray



twentieth

sales@twentieth.net

323.904.1200

www.twentieth.net

Copyright © May 2023 Sklo.com

16



Copyright © May 2023 Sklo.com

17

# SkLO

## Dome 22

PENDANT

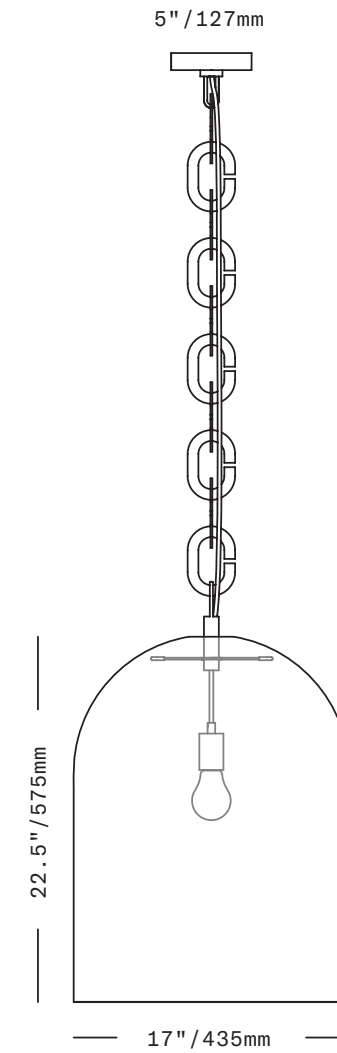


Dome 22 Pendant with frosted clear glass, dark oxidized metal finish, black cord

# SkLO

## Dome 22

PENDANT



Large domes of handblown Czech glass with a frosted finish are suspended on lengths of oversized brass chains. An exposed fabric-wrapped electrical cord runs through the chain from canopy to light.

UL listed suitable for dry and damp locations (US & Canada)

Socket 120V E26 60W Max

LED bulb included

Requires recessed electrical box for installation

Accommodates sloped ceilings

Field adjustable – comes standard with 12 chain links or approximately 36" of chain – 4 chain links equals approx 12" – additional chain links available in 4 link increments at additional cost

Fixture weight (approximate): 38lbs/17kg

All glass dimensions are approximate – handblown glass dimensions vary by nature and intent

Made in the Czech Republic

LT336 [---][--]

Dome 22 Pendant

Glass colors

- Frosted Clear [FCL]
- Frosted Smokey Brown [FSB]
- Frosted White [FWT]

Metal finishes

- Dark Oxidized [DX]
- Brushed Brass [BB]
- Brushed Nickel [BN]
- Polished Nickel [PN]

Cord Colors

- Black
- Blue
- Gold
- Gray



twentieth

sales@twentieth.net

323.904.1200

www.twentieth.net

Copyright © May 2023 Sklo.com

18



Copyright © May 2023 Sklo.com

19

# SkLO

## Drape

PENDANT

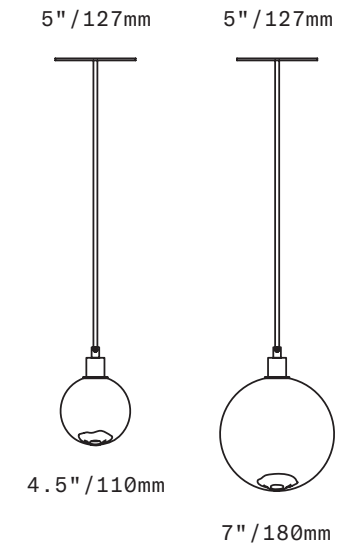


Drape Pendants with white glass, brushed brass metal finish, gold cord

# SkLO

## Drape

PENDANT



The Drape Pendant is a minimal pendant consisting of a single lit sphere of handblown Czech glass suspended on a fabric-wrapped electrical cord. Choose from two sizes of the glass shade. The spherical glass shades feature the signature SkLO double-dipped, fire-polished mouths which show where the glass is broken from the blower's pipe, making each unique. Cord length is field adjustable.

UL listed suitable for dry and damp locations (US & Canada)

Socket 120V G9 7W Max

LED bulb included

Glass available in two sizes

Requires recessed electrical box for installation

Accommodates sloped ceilings

Field adjustable – Standard cord length 72"/1800mm – longer lengths available at additional cost

Fixture weights (approximate): 3lbs/1.4kg (LT160)  
4.5lbs/2kg (LT161)

All glass dimensions are approximate – handblown glass dimensions vary by nature and intent

Made in the Czech Republic

LT160 [---][--]  
LT161 [---][--]

4.5"/110mm glass  
7"/180mm glass

Glass colors

- Clear [CLR]
- New Blue [NBL]
- Olivin [OLV]
- Smoke [SMK]
- White [WHT]

Metal finishes

- Dark Oxidized [DX]
- Brushed Brass [BB]
- Brushed Nickel [BN]
- Polished Nickel [PN]

Cord Colors

- Black
- Blue
- Gold
- Gray



twentieth

sales@twentieth.net

323.904.1200

www.twentieth.net

Copyright © May 2023 Sklo.com

20



Copyright © May 2023 Sklo.com

21

# SkLO

## Drape Arm 1.09

SCONCE

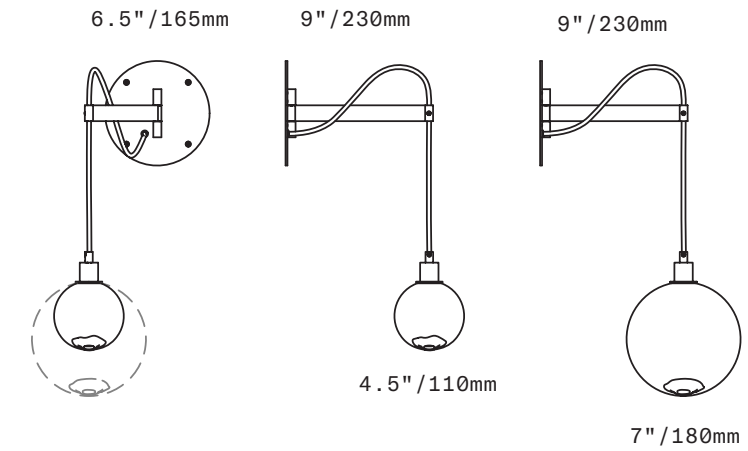


Drape Arm 1.09 Sconce with 4.5"/110mm olivin glass, dark oxidized metal finish, black cord

# SkLO

## Drape Arm 1.09

SCONCE



The Drape Arm 1.09 Sconce is a single lit sphere of handblown Czech glass suspended from a moveable 9"/230mm arm. The spherical shade is available in two sizes and is suspended from the arm on a fabric-wrapped electrical cord. The exposed cord passes through the end of the arm and returns to the canopy at the wall. Solid brass construction throughout, the arm is hinged for a full 180-degree swing. The spherical glass shades feature the signature SkLO double-dipped, fire-polished mouths which show where the glass is broken from the blower's pipe, making each unique.

UL listed suitable for dry and damp locations (US & Canada)

Socket 120V G9 7W Max

LED bulb included

Glass available in two sizes

Requires recessed electrical box for installation

Field adjustable – Standard cord length 72"/1800mm – longer lengths available at additional cost

Fixture weights (approximate): 4.5lbs/2.0kg (LT363)  
6.5lbs/3.0kg (LT364)

All glass dimensions are approximate – handblown glass dimensions vary by nature and intent

Made in the Czech Republic

LT363 [---][--] 4.5"/110mm glass  
LT364 [---][--] 7"/180mm glass

Glass colors

- Clear [CLR]
- New Blue [NBL]
- Olivin [OLV]
- Smoke [SMK]
- White [WHT]

Metal finishes

- Dark Oxidized [DX]
- Brushed Brass [BB]
- Brushed Nickel [BN]
- Polished Nickel [PN]

Cord Colors

- Black
- Blue
- Gold
- Gray



twentieth

sales@twentieth.net

323.904.1200

www.twentieth.net

Copyright © May 2023 Sklo.com 22



Copyright © May 2023 Sklo.com 23

# SkLO

## Drape Arm 1.18

SCONCE

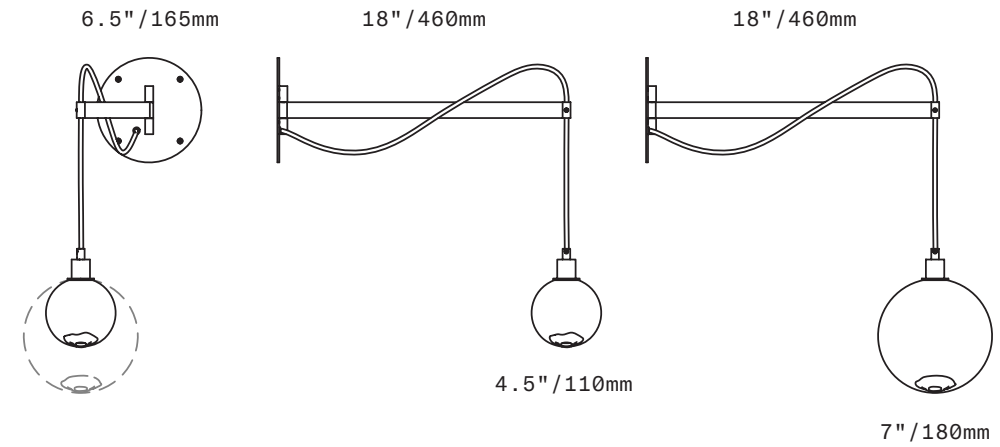


Drape Arm 1.18 Sconce with 4.5"/110mm new blue glass, brushed brass metal finish, black cord

# SkLO

## Drape Arm 1.18

SCONCE



The Drape Arm 1.18 Sconce is a single lit sphere of handblown Czech glass suspended from a moveable 18"/460mm arm. The spherical shade is available in two sizes and is suspended from the arm on a fabric-wrapped electrical cord. The exposed cord passes through the end of the arm and returns to the canopy at the wall. Solid brass construction throughout, the arm is hinged for a full 180-degree swing. The spherical glass shades feature the signature SkLO double-dipped, fire-polished mouths which show where the glass is broken from the blower's pipe, making each unique.

UL listed suitable for dry and damp locations (US & Canada)

Socket 120V G9 7W Max

LED bulb included

Glass available in two sizes

Requires recessed electrical box for installation

Standard cord length 72"/1800mm – field adjustable – longer lengths available at additional cost

Fixture weights (approximate): 5lbs/2.3kg (LT361)  
7lbs/3.2kg (LT362)

All glass dimensions are approximate – handblown glass dimensions vary by nature and intent

Made in the Czech Republic

LT361 [---][--] 4.5"/110mm glass  
LT362 [---][--] 7"/180mm glass

Glass colors

- Clear [CLR]
- New Blue [NBL]
- Olivin [OLV]
- Smoke [SMK]
- White [WHT]

Metal finishes

- Dark Oxidized [DX]
- Brushed Brass [BB]
- Brushed Nickel [BN]
- Polished Nickel [PN]

Cord Colors

- Black
- Blue
- Gold
- Gray



twentieth

sales@twentieth.net

323.904.1200

www.twentieth.net

Copyright © May 2023 Sklo.com

24



Copyright © May 2023 Sklo.com

25



*Meridiani, Salone del Mobile 2019*  
Designer, Andrea Parisio

twentieth

sales@twentieth.net

323.904.1200

www.twentieth.net

# SkLO

## Drape Arm 3

CHANDELIER

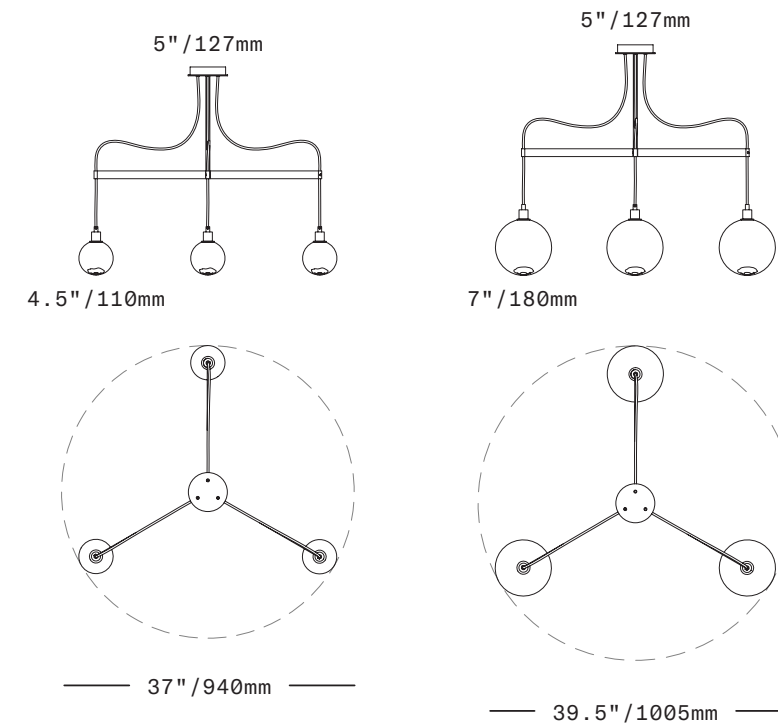


Drape Arm 3 Chandelier with 4.5"/110mm white glass, brushed brass metal finish, black cord

# SkLO

## Drape Arm 3

CHANDELIER



The Drape Arm 3 Chandelier consists of 3 individual pendants suspended from a 3-spoke brass armature suspended from a single canopy. Available in two different glass sizes, each individual pendant is a lit sphere of handblown Czech glass suspended on a fabric-wrapped electrical cord. The exposed cords leave the canopy and pass through the individual arms. The glass diffusers feature the signature SkLO double-dipped, fire-polished mouths which show where the glass is broken from the blower's pipe, making each unique.

UL listed suitable for dry and damp locations (US & Canada)

Sockets 120V G9 7W Max

LED bulbs included

Glass available in two sizes

Requires recessed electrical box for installation

Standard canopy does NOT accommodate sloped ceilings or swagging of this light – other canopy options are available at additional cost – see Canopy Variants specification sheet

Specify rigid brass tube stem length – Rigid brass tube stems are not field adjustable

Stem lengths over 48"/1220mm available at additional cost

Standard cord length 72"/1800mm – field adjustable – longer lengths available at additional cost

Fixture weights (approximate): 15lbs/7kg (LT360)  
20lbs/9kg (LT359)

All glass dimensions are approximate – handblown glass dimensions vary by nature and intent

Made in the Czech Republic

LT360 [---][---] 4.5"/110mm glass  
LT359 [---][---] 7"/180mm glass

Glass colors

- Clear [CLR]
- New Blue [NBL]
- Olivin [OLV]
- Smoke [SMK]
- White [WHT]

Metal finishes

- Dark Oxidized [DX]
- Brushed Brass [BB]
- Brushed Nickel [BN]
- Polished Nickel [PN]

Cord Colors

- Black
- Blue
- Gold
- Gray



twentieth

sales@twentieth.net

323.904.1200

www.twentieth.net

Copyright © May 2023 Sklo.com 28



Copyright © May 2023 Sklo.com 29

# SkLO

## Drape Arm 6

CHANDELIER

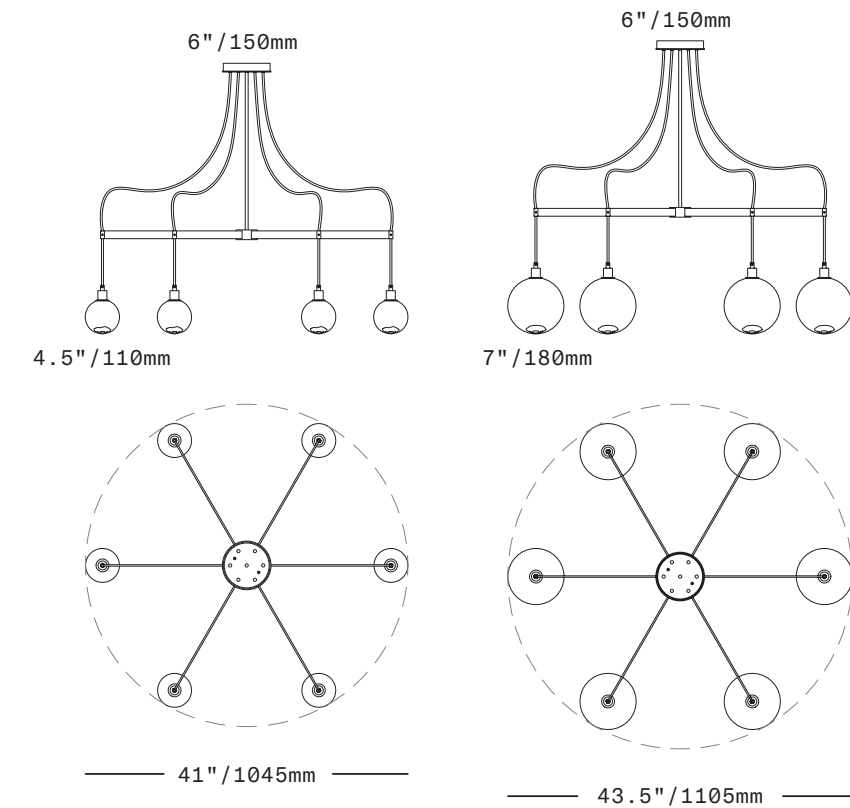


Drape Arm 6 Chandelier with 4.5"/110mm smoke glass, dark oxidized metal finish, black cord

# SkLO

## Drape Arm 6

CHANDELIER



The Drape Arm 6 Chandelier consists of 6 individual pendants suspended in a circle from a 6-spoke brass armature suspended in turn by a rigid brass stem. Each individual pendant is a lit sphere of handblown Czech glass, available in two sizes: 4.5"/110mm or 7"/180mm. Each pendant is suspended on a fabric-wrapped electrical cord. The exposed cords leave the canopy and pass through the ends of the individual arms.

UL listed suitable for dry and damp locations (US & Canada)

Sockets 120V G9 7W Max

LED bulbs included

Glass available in two sizes

Requires recessed electrical box for installation

Standard canopy does NOT accommodate sloped ceilings or swagging of this light – other canopy options are available at additional cost – see Canopy Variants specification sheet

Specify rigid brass tube stem length – Rigid brass tube stems are not field adjustable

Stem lengths over 48"/1220mm available at additional cost

Standard cord length 72"/1800mm – field adjustable – longer lengths available at additional cost

Fixture weights (approximate):  
20lbs/9kg (LT369)  
25lbs/11kg (LT374)

All glass dimensions are approximate – handblown glass dimensions vary by nature and intent

Made in the Czech Republic

LT369 [---][---] 4.5"/110mm glass  
LT374 [---][---] 7"/180mm glass

Glass colors

- Clear [CLR]
- New Blue [NBL]
- Olivin [OLV]
- Smoke [SMK]
- White [WHT]

Metal finishes

- Dark Oxidized [DX]
- Brushed Brass [BB]
- Brushed Nickel [BN]
- Polished Nickel [PN]

Cord Colors

- Black
- Blue
- Gold
- Gray



twentieth

sales@twentieth.net

323.904.1200

www.twentieth.net

Copyright © May 2023 Sklo.com

30



Copyright © May 2023 Sklo.com

31



# SkLO

## Drape Arm 8

CHANDELIER

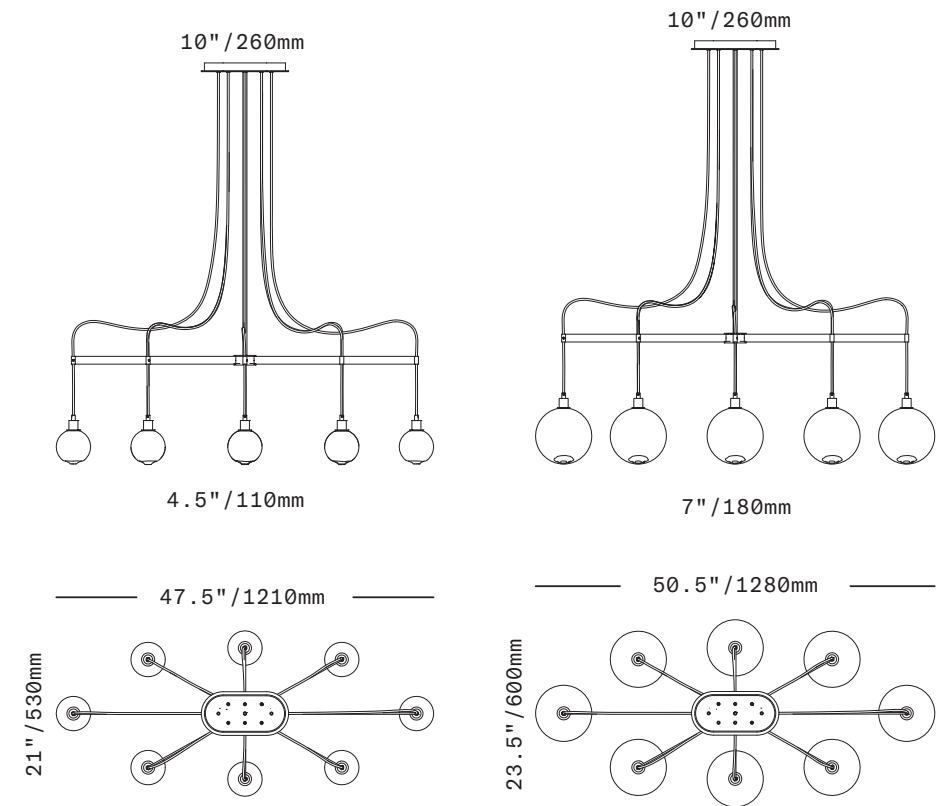


Drape Arm 8 Chandelier with 4.5"/110mm smoke glass, dark oxidized metal finish, black cord

# SkLO

## Drape Arm 8

CHANDELIER



The Drape Arm 8 Chandelier consists of 8 individual pendants suspended in an oval pattern from an 8-spoke brass armature suspended in turn by a rigid brass stem. Each pendant is a lit sphere of handblown Czech glass, available in two sizes: 4.5"/110mm or 7"/180mm. Each pendant is suspended on a fabric-wrapped electrical cord. The exposed cords leave the canopy and pass through the ends of the individual arms.

UL listed suitable for dry and damp locations (US & Canada)

Sockets 120V G9 7W Max

LED bulbs included

Glass available in two sizes

Requires recessed electrical box for installation

Standard canopy does NOT accommodate sloped ceilings or swagging of this light – other canopy options are available at additional cost – see Canopy Variants specification sheet

Specify rigid brass tube stem length – Rigid brass tube stems are not field adjustable

Stem lengths over 48"/1220mm available at additional cost

Standard cord length 72"/1800mm – field adjustable – longer lengths available at additional cost

Fixture weights (approximate): 25lbs/11kg (LT376)  
30lbs/14kg (LT377)

All glass dimensions are approximate – handblown glass dimensions vary by nature and intent

Made in the Czech Republic

LT376 [---][--] 4.5"/110mm glass  
LT377 [---][--] 7"/180mm glass

Glass colors

- Clear [CLR]
- New Blue [NBL]
- Olivin [OLV]
- Smoke [SMK]
- White [WHT]

Metal finishes

- Dark Oxidized [DX]
- Brushed Brass [BB]
- Brushed Nickel [BN]
- Polished Nickel [PN]

Cord Colors

- Black
- Blue
- Gold
- Gray



twentieth

sales@twentieth.net

323.904.1200

www.twentieth.net

Copyright © May 2023 Sklo.com

32



Copyright © May 2023 Sklo.com

33

# SkLO

## Drape Circle 8

CHANDELIER

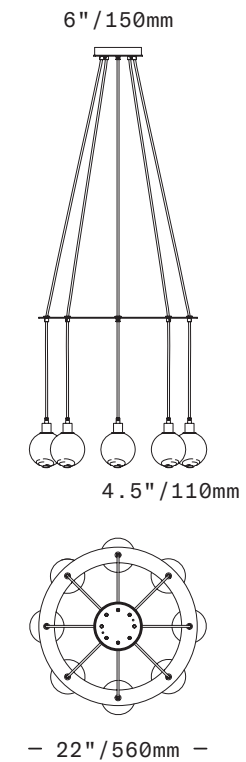


Drape Circle 8 Chandelier with smoke glass, dark oxidized metal finish, black cord

# SkLO

## Drape Circle 8

CHANDELIER



The Drape Circle 8 Chandelier consists of 8 individual pendants gathered and supported by a brass ring. Each pendant features a 4.5"/110mm diameter sphere of handblown Czech glass suspended on a fabric-wrapped electrical cord. The cords pass through the ring and are evenly spaced around the circumference. The glass diffusers feature the signature SkLO double-dipped, fire-polished mouths which show where the glass is broken from the blower's pipe, making each unique. Cord lengths are field adjustable.

UL listed suitable for dry and damp locations (US & Canada)

Sockets 120V G9 7W Max

LED bulbs included

Requires recessed electrical box for installation

Not recommended for sloped ceilings

Standard cord length 72"/1800mm – field adjustable – longer lengths available at additional cost

Fixture weight (approximate): 25lbs/11kg

All glass dimensions are approximate – handblown glass dimensions vary by nature and intent

Made in the Czech Republic

LT280 [---][--] Drape Circle 8 Chandelier

Glass colors

- Clear [CLR]
- New Blue [NBL]
- Olivin [OLV]
- Smoke [SMK]
- White [WHT]

Metal finishes

- Dark Oxidized [DX]
- Brushed Brass [BB]
- Brushed Nickel [BN]
- Polished Nickel [PN]

Cord Colors

- Black
- Blue
- Gold
- Gray



twentieth

sales@twentieth.net

323.904.1200

www.twentieth.net

Copyright © May 2023 Sklo.com

34



Copyright © May 2023 Sklo.com

35

# SkLO

## Drape Circle 12

CHANDELIER

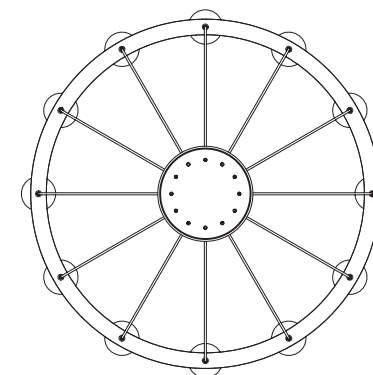
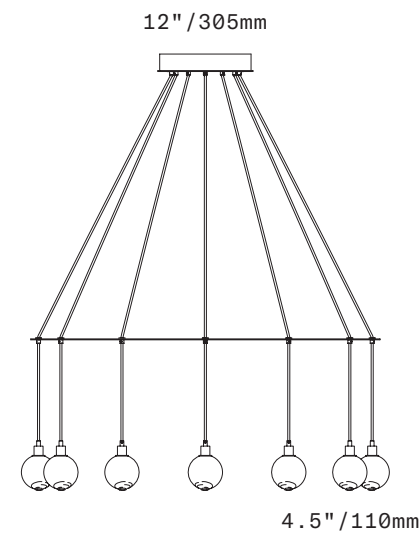


Drape Circle 12 Chandelier with 4.5"/110mm white glass, brushed brass metal finish, gold cord

# SkLO

## Drape Circle 12

CHANDELIER



44" / 1120mm

The Drape Circle 12 Chandelier consists of 12 individual pendants gathered and supported by a brass ring. Each pendant features a sphere of handblown Czech glass suspended on a fabric-wrapped electrical cord. The cords pass through the ring and are evenly spaced around the circumference. The glass diffusers feature the signature SkLO double-dipped, fire-polished mouths which show where the glass is broken from the blower's pipe, making each unique. Cord lengths are field adjustable.

UL listed suitable for dry and damp locations (US & Canada)

Sockets 120V G9 7W Max

LED bulbs included

Glass available in two sizes

Requires recessed electrical box for installation

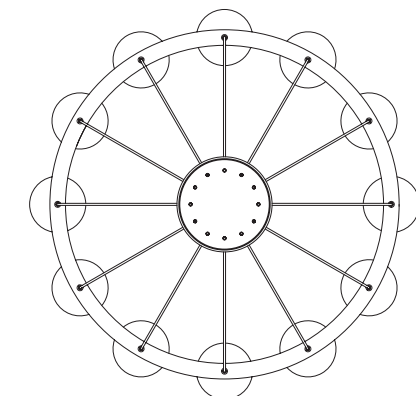
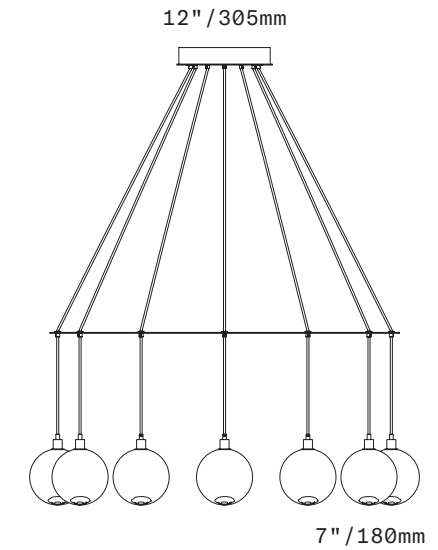
Not recommended for sloped ceilings

Standard cord length 72"/1800mm – field adjustable – longer lengths available at additional cost

Fixture weight (approximate): 45lbs/20kg (LT282)  
63lbs/28kg (LT283)

All glass dimensions are approximate – handblown glass dimensions vary by nature and intent

Made in the Czech Republic



49" / 1245mm

LT282 [---][--] 4.5"/110mm glass  
LT283 [---][--] 7"/180mm glass

Glass colors

- Clear [CLR]
- New Blue [NBL]
- Olivin [OLV]
- Smoke [SMK]
- White [WHT]

Metal finishes

- Dark Oxidized [DX]
- Brushed Brass [BB]
- Brushed Nickel [BN]
- Polished Nickel [PN]

Cord Colors

- Black
- Blue
- Gold
- Gray



twentieth

sales@twentieth.net

323.904.1200

www.twentieth.net

Copyright © May 2023 Sklo.com

36



Copyright © May 2023 Sklo.com

37

# SkLO

## Drape Circle 18

CHANDELIER

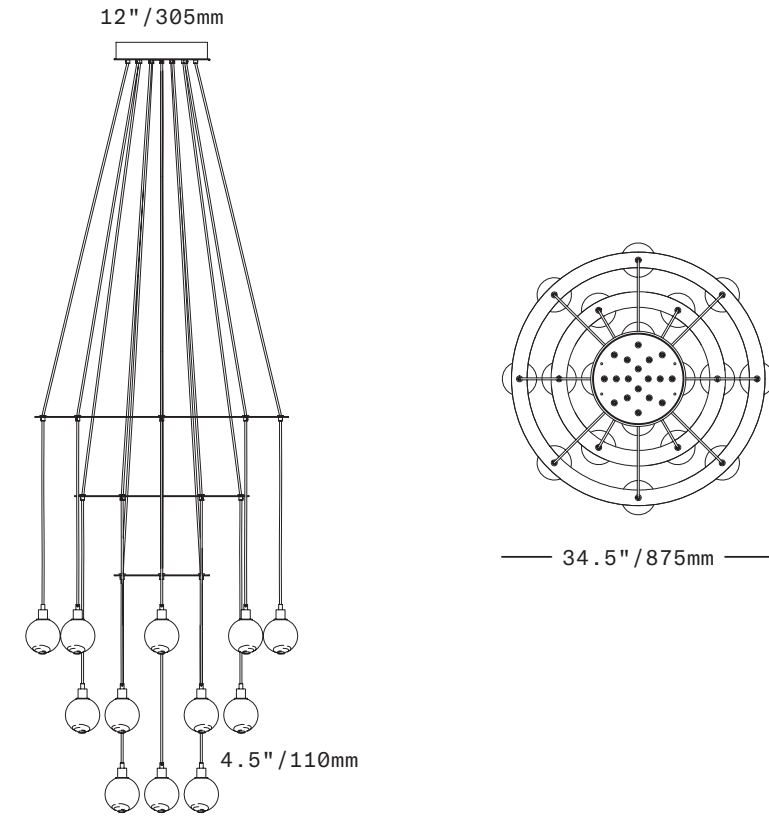


Drape Circle 18 Chandelier with white glass, dark oxidized metal finish, black cord

# SkLO

## Drape Circle 18

CHANDELIER



The Drape Circle 18 Chandelier consists of 18 individual pendants gathered and supported by a series of three brass rings. Each pendant features a 4.5"/110mm diameter sphere of handblown Czech glass suspended on a fabric-wrapped electrical cord. The cords pass through the rings and support the rings. The glass diffusers feature the signature SkLO double-dipped, fire-polished mouths which show where the glass is broken from the blower's pipe, making each unique. Cord lengths are field adjustable. Multiple compositions possible – drawing+dimension above represent only one recommended possibility.

UL listed suitable for dry and damp locations (US & Canada)

Sockets 120V G9 7W Max

LED bulbs included

Requires recessed electrical box for installation

Not recommended for sloped ceilings

Field assembly + composition during installation is standard – see installation instructions – SkLO will pre-assemble + compose fixture to specification on request (pre-assembled fixtures not field adjustable)

Standard cord length 120"/3050mm – field adjustable – longer lengths available at additional cost

Fixture weight (approximate): 90lbs/41kg

All glass dimensions are approximate – handblown glass dimensions vary by nature and intent

Made in the Czech Republic

LT285 [---][--] Drape Circle 18 Chandelier

- Glass colors
- Clear [CLR]
  - New Blue [NBL]
  - Olivin [OLV]
  - Smoke [SMK]
  - White [WHT]
- Metal finishes
- Dark Oxidized [DX]
  - Brushed Brass [BB]
  - Brushed Nickel [BN]
  - Polished Nickel [PN]
- Cord Colors
- Black
  - Blue
  - Gold
  - Gray



twentieth

sales@twentieth.net

323.904.1200

www.twentieth.net

Copyright © May 2023 Sklo.com

38



Copyright © May 2023 Sklo.com

39



Private Residence, Copenhagen  
Designer, Nadia Olive Schnack  
Photography, Lars Gundersen



# SkLO

## Drape Circle 28

CHANDELIER

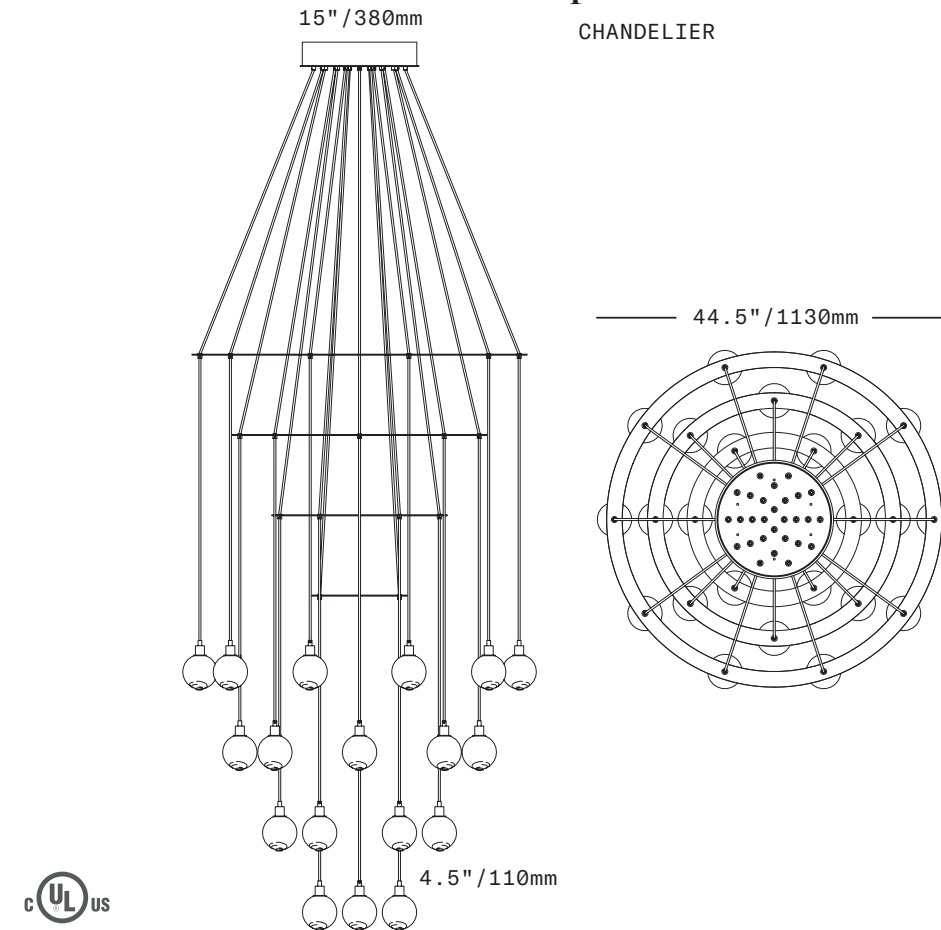


Drape Circle 28 Chandelier in an elongated composition (14 foot / 410cm overall drop length) with a palette of dark oxidized brass, black cord and white glass

# SkLO

## Drape Circle 28

CHANDELIER



The Drape Circle 28 Chandelier consists of 28 individual pendants gathered and supported by a series of tiered brass rings. Each pendant features a 4.5"/110mm diameter sphere of handblown Czech glass suspended on a fabric-wrapped electrical cord. The cords pass through and are connected to the rings. The glass diffusers feature the signature SkLO double-dipped, fire-polished mouths which show where the glass is broken from the blower's pipe, making each unique. Cord lengths are field adjustable. Multiple compositions possible – drawing+dimension above represent only one recommended possibility.

UL listed suitable for dry and damp locations (US & Canada)  
Sockets 120V G9 7W Max  
LED bulbs included  
Requires recessed electrical box for installation  
Not recommended for sloped ceilings

Field assembly + composition during installation is standard – see installation instructions – SkLO will pre-assemble + compose fixture to specification on request (pre-assembled fixtures not field adjustable)

Standard cord length 120"/3050mm – field adjustable – longer lengths available at additional cost  
Fixture weight (approximate): 180lbs/82kg  
All glass dimensions are approximate – handblown glass dimensions vary by nature and intent  
Made in the Czech Republic

- LT286 [---][---] Drape Circle 28 Chandelier
- Glass colors
- Clear [CLR]
  - New Blue [NBL]
  - Olivin [OLV]
  - Smoke [SMK]
  - White [WHT]
- Metal finishes
- Dark Oxidized [DX]
  - Brushed Brass [BB]
  - Brushed Nickel [BN]
  - Polished Nickel [PN]
- Cord Colors
- Black
  - Blue
  - Gold
  - Gray



twentieth

sales@twentieth.net

323.904.1200

www.twentieth.net

Copyright © May 2023 Sklo.com 42



Copyright © May 2023 Sklo.com 43

# SkLO

## Drape Composition 1

PENDANT

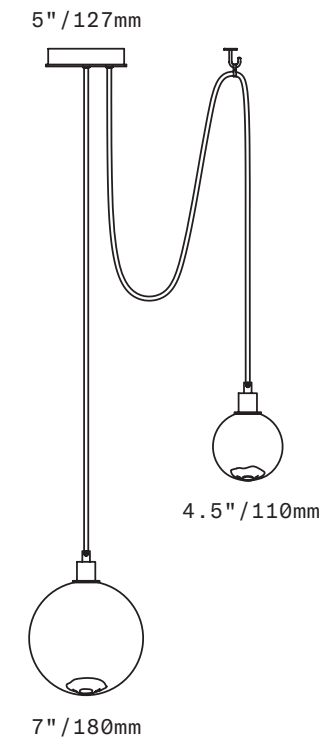


Drape Composition 1 Pendant with white glass, brushed brass metal finish, black cord

# SkLO

## Drape Composition 1

PENDANT



The Drape Composition 1 is a multi-pendant fixture with 2 pendants suspended from a single canopy. Each pendant is suspended on a fabric-wrapped electrical cord. The center pendant hangs straight down from the canopy and features a 7"/180mm diameter sphere of handblown glass. The outer pendant is swagged to a ceiling hook (included) and features a smaller 4.5"/110mm diameter sphere of handblown glass. The glass diffusers feature the signature SkLO double-dipped, fire-polished mouths which show where the glass is broken from the blower's pipe, making each unique. Cord lengths are field adjustable.

UL listed suitable for dry and damp locations (US & Canada)

Sockets 120V G9 7W Max

LED bulbs included

Requires recessed electrical box for installation

Accommodates sloped ceilings

Standard cord length 72"/1800mm – field adjustable – longer lengths available at additional cost

Fixture weight (approximate): 8lbs/3.5kg

All glass dimensions are approximate – handblown glass dimensions vary by nature and intent

Made in the Czech Republic

LT181 [---][---] Drape Composition 1 Pendant

- Glass colors
- Clear [CLR]
  - New Blue [NBL]
  - Olivin [OLV]
  - Smoke [SMK]
  - White [WHT]
- Metal finishes
- Dark Oxidized [DX]
  - Brushed Brass [BB]
  - Brushed Nickel [BN]
  - Polished Nickel [PN]
- Cord Colors
- Black
  - Blue
  - Gold
  - Gray



twentieth

sales@twentieth.net

323.904.1200

www.twentieth.net

Copyright © May 2023 Sklo.com

44



Copyright © May 2023 Sklo.com

45

# SkLO

## Drape Composition 2

PENDANT

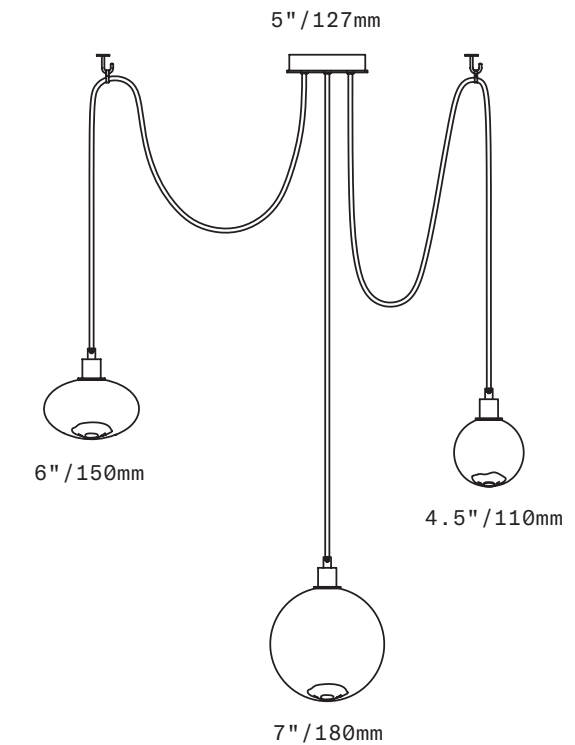


Drape Composition 2 Pendant with white glass, brushed brass metal finish, gray cord

# SkLO

## Drape Composition 2

PENDANT



The Drape Composition 2 is a multi-pendant fixture with 3 pendants suspended from a single canopy. Each pendant is suspended on a fabric-wrapped electrical cord. The center pendant hangs straight down from the canopy and features a 7"/180mm diameter sphere of handblown glass. The outer pendants are swagged to ceiling hooks (included) – one features a smaller 4.5"/110mm diameter sphere of handblown glass and the other a 6"/150mm diameter ovoid of handblown glass. The glass diffusers feature the signature SkLO double-dipped, fire-polished mouths which show where the glass is broken from the blower's pipe, making each unique. Cord lengths are field adjustable.

UL listed suitable for dry and damp locations (US & Canada)

Sockets 120V G9 7W Max

LED bulbs included

Requires recessed electrical box for installation

Accommodates sloped ceilings

Standard cord length 72"/1800mm – field adjustable – longer lengths available at additional cost

Fixture weight (approximate): 11lbs/5kg

All glass dimensions are approximate – handblown glass dimensions vary by nature and intent

Made in the Czech Republic

LT182 [---][--]

Glass colors

Drape Composition 2 Pendant

- Clear [CLR]
- New Blue [NBL]
- Olivin [OLV]
- Smoke [SMK]
- White [WHT]

Metal finishes

- Dark Oxidized [DX]
- Brushed Brass [BB]
- Brushed Nickel [BN]
- Polished Nickel [PN]

Cord Colors

- Black
- Blue
- Gold
- Gray



twentieth

sales@twentieth.net

323.904.1200

www.twentieth.net

Copyright © May 2023 Sklo.com

46



Copyright © May 2023 Sklo.com

47



# SkLO

## Drape Hook

PENDANT

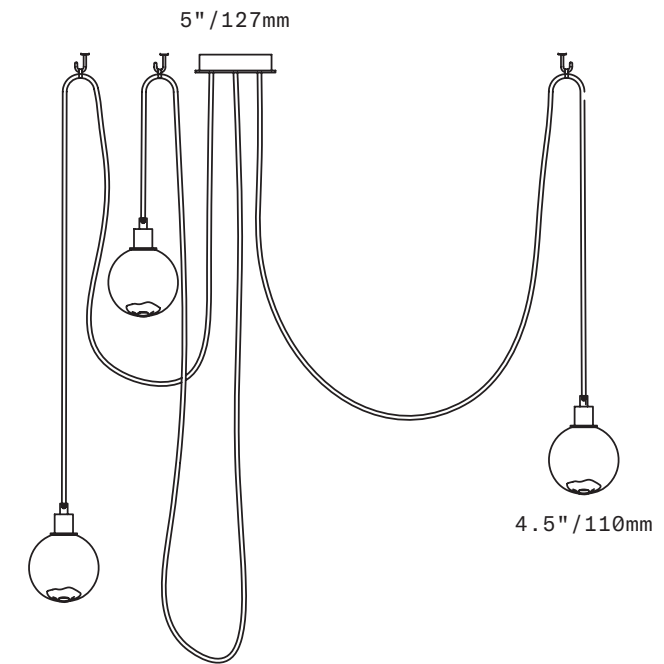


Drape Hook 9 Pendant with olivin glass, brushed brass metal finish, gold cord

# SkLO

## Drape Hook 3

PENDANT



The Drape Hook 3 Pendant is a multi-pendant fixture featuring lit spheres of handblown Czech glass suspended from a single canopy and swagged to ceiling hooks (included). Each pendant is suspended on a fabric-wrapped electrical cord and features a 4.5"/110mm diameter spherical glass shade. The glass shades feature the signature SkLO double-dipped, fire-polished mouths which show where the glass is broken from the blower's pipe, making each unique. Cord lengths are field adjustable. Infinite compositions are possible.

UL listed suitable for dry and damp locations (US & Canada)

Sockets 120V G9 7W Max

LED bulbs included

Requires recessed electrical box for installation

Accommodates sloped ceilings

Standard cord length 72"/1800mm – field adjustable – longer lengths available at additional cost

All glass dimensions are approximate – handblown glass dimensions vary by nature and intent

Made in the Czech Republic

LT172 [---][--]

Drape Hook 3 Pendant

Glass colors

- Clear [CLR]
- New Blue [NBL]
- Olivin [OLV]
- Smoke [SMK]
- White [WHT]

Metal finishes

- Dark Oxidized [DX]
- Brushed Brass [BB]
- Brushed Nickel [BN]
- Polished Nickel [PN]

Cord Colors

- Black
- Blue
- Gold
- Gray



twentieth

sales@twentieth.net

323.904.1200

www.twentieth.net

Copyright © May 2023 Sklo.com

48



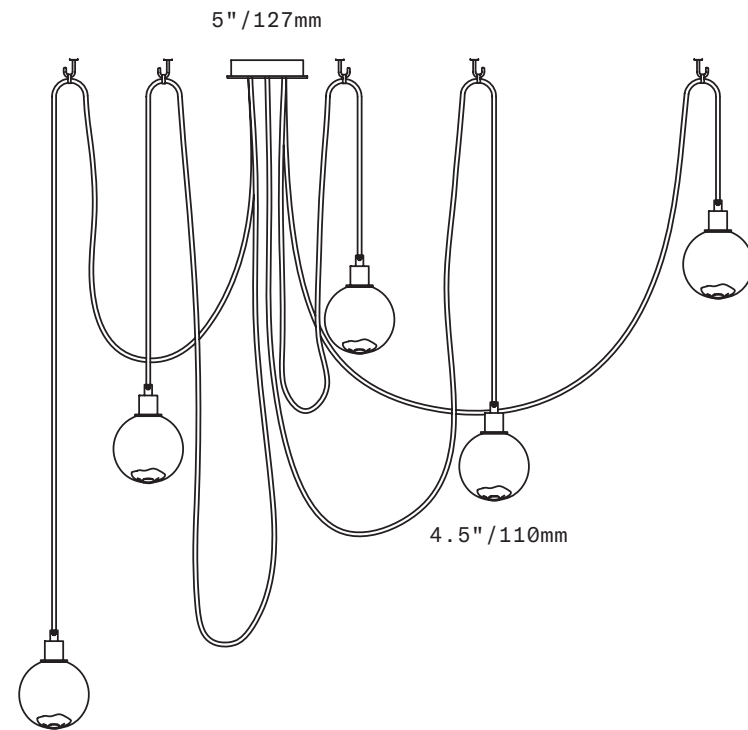
Copyright © May 2023 Sklo.com

49

# SkLO

## Drape Hook 5

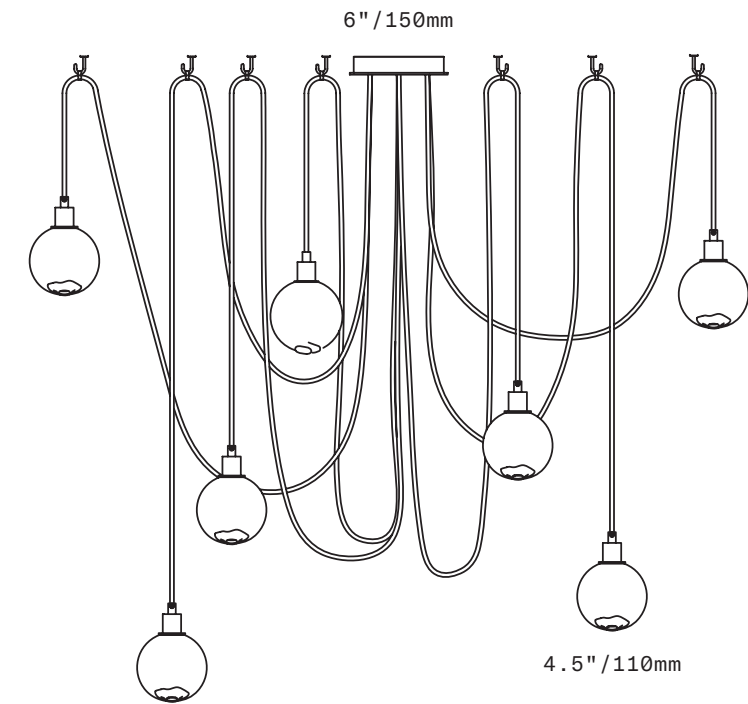
PENDANT



# SkLO

## Drape Hook 7

PENDANT



The Drape Hook 5 Pendant is a multi-pendant fixture featuring lit spheres of handblown Czech glass suspended from a single canopy and swagged to ceiling hooks (included). Each pendant is suspended on a fabric-wrapped electrical cord and features a 4.5"/110mm diameter spherical glass shade. The glass shades feature the signature SkLO double-dipped, fire-polished mouths which show where the glass is broken from the blower's pipe, making each unique. Cord lengths are field adjustable. Infinite compositions are possible.

UL listed suitable for dry and damp locations (US & Canada)

Sockets 120V G9 7W Max

LED bulbs included

Requires recessed electrical box for installation

Accommodates sloped ceilings

Standard cord length 72"/1800mm – field adjustable – longer lengths available at additional cost

All glass dimensions are approximate – handblown glass dimensions vary by nature and intent

Made in the Czech Republic

LT174 [---][--]

Drape Hook 5 Pendant

Glass colors

- Clear [CLR]
- New Blue [NBL]
- Olivin [OLV]
- Smoke [SMK]
- White [WHT]

Metal finishes

- Dark Oxidized [DX]
- Brushed Brass [BB]
- Brushed Nickel [BN]
- Polished Nickel [PN]

Cord Colors

- Black
- Blue
- Gold
- Gray



The Drape Hook 7 Pendant is a multi-pendant fixture featuring lit spheres of handblown Czech glass suspended from a single canopy and swagged to ceiling hooks (included). Each pendant is suspended on a fabric-wrapped electrical cord and features a 4.5"/110mm diameter spherical glass shade. The glass shades feature the signature SkLO double-dipped, fire-polished mouths which show where the glass is broken from the blower's pipe, making each unique. Cord lengths are field adjustable. Infinite compositions are possible.

UL listed suitable for dry and damp locations (US & Canada)

Sockets 120V G9 7W Max

LED bulbs included

Requires recessed electrical box for installation

Accommodates sloped ceilings

Standard cord length 72"/1800mm – field adjustable – longer lengths available at additional cost

All glass dimensions are approximate – handblown glass dimensions vary by nature and intent

Made in the Czech Republic

LT176 [---][--]

Drape Hook 7 Pendant

Glass colors

- Clear [CLR]
- New Blue [NBL]
- Olivin [OLV]
- Smoke [SMK]
- White [WHT]

Metal finishes

- Dark Oxidized [DX]
- Brushed Brass [BB]
- Brushed Nickel [BN]
- Polished Nickel [PN]

Cord Colors

- Black
- Blue
- Gold
- Gray



twentieth

sales@twentieth.net

323.904.1200

www.twentieth.net

Copyright © May 2023 Sklo.com

50



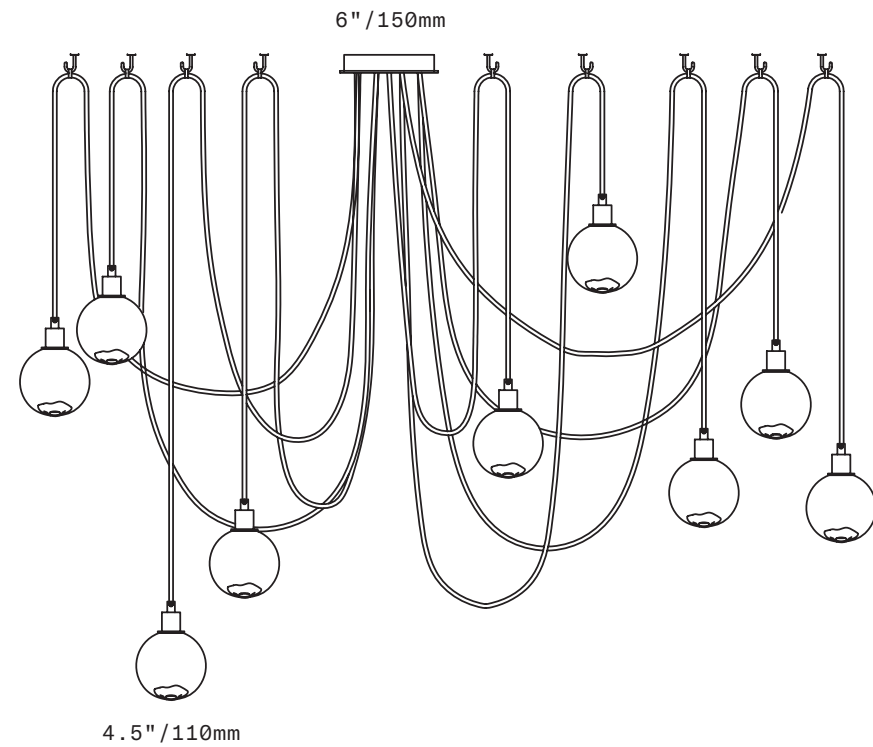
Copyright © May 2023 Sklo.com

51

# SkLO

## Drape Hook 9

PENDANT



The Drape Hook 9 Pendant is a multi-pendant fixture featuring lit spheres of handblown Czech glass suspended from a single canopy and swagged to ceiling hooks (included). Each pendant is suspended on a fabric-wrapped electrical cord and features a 4.5"/110mm diameter spherical glass shade. The glass shades feature the signature SkLO double-dipped, fire-polished mouths which show where the glass is broken from the blower's pipe, making each unique. Cord lengths are field adjustable. Infinite compositions are possible.

UL listed suitable for dry and damp locations (US & Canada)

Sockets 120V G9 7W Max

LED bulbs included

Requires recessed electrical box for installation

Accommodates sloped ceilings

Standard cord length 72"/1800mm – field adjustable – longer lengths available at additional cost

All glass dimensions are approximate – handblown glass dimensions vary by nature and intent

Made in the Czech Republic

LT177 [---][--] Drape Hook 9 Pendant

- |                |   |
|----------------|---|
| Glass colors   | <ul style="list-style-type: none"> <li>○ Clear [CLR]</li> <li>● New Blue [NBL]</li> <li>● Olivin [OLV]</li> <li>● Smoke [SMK]</li> <li>○ White [WHT]</li> </ul>     |
| Metal finishes | <ul style="list-style-type: none"> <li>● Dark Oxidized [DX]</li> <li>● Brushed Brass [BB]</li> <li>● Brushed Nickel [BN]</li> <li>○ Polished Nickel [PN]</li> </ul> |
| Cord Colors    | <ul style="list-style-type: none"> <li>● Black</li> <li>● Blue</li> <li>● Gold</li> <li>● Gray</li> </ul>   |



Drape Hook 5 Pendant with white glass, dark oxidized metal finish, black cord



twentieth

sales@twentieth.net

323.904.1200

www.twentieth.net

Copyright © May 2023 Sklo.com

52



Copyright © May 2022 Sklo.com

53

# SkLO

## Drape Linear

CHANDELIER

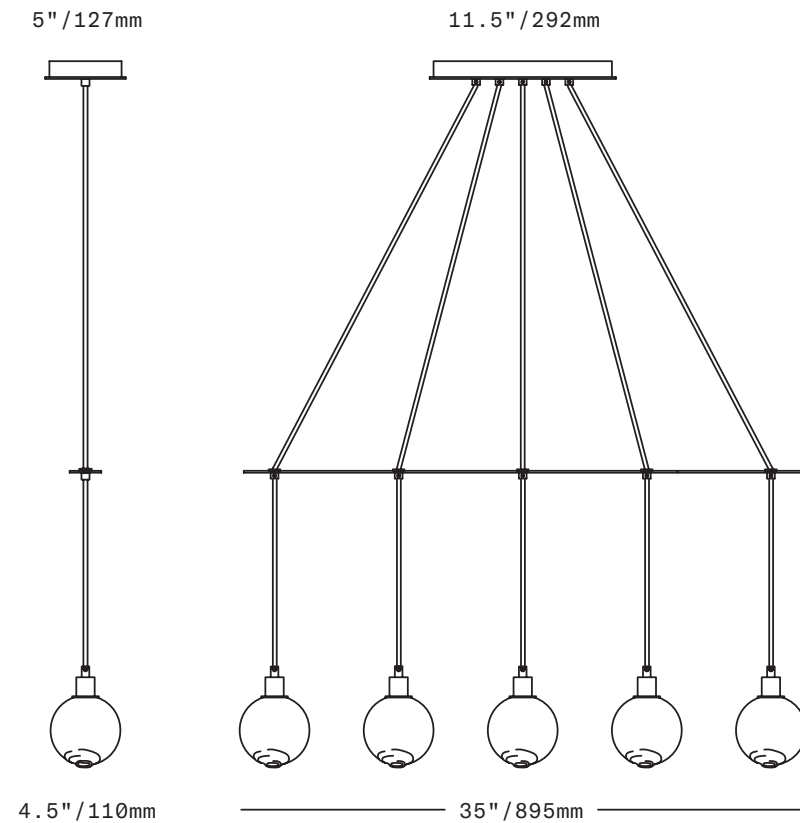


Drape Linear 7 Chandelier with white glass, dark oxidized metal finish, gold cord

# SkLO

## Drape Linear 5

CHANDELIER



The Drape Linear 5 Chandelier consists of 5 individual pendants gathered into a straight line and supported by a flat brass bar. Each pendant features a 4.5"/110mm diameter sphere of handblown Czech glass suspended on a fabric-wrapped electrical cord. The cords pass through and are affixed to the bar and are evenly spaced around its length. The glass diffusers feature the signature SkLO double-dipped, fire-polished mouths which show where the glass is broken from the blower's pipe, making each unique. Cord lengths are field adjustable.

UL listed suitable for dry and damp locations (US & Canada)

Sockets 120V G9 7W Max

LED bulbs included

Requires recessed electrical box for installation

Accommodates sloped ceilings

Standard cord length 72"/1800mm – field adjustable – longer lengths available at additional cost

Fixture weight (approximate): 17lbs/8kg

All glass dimensions are approximate – handblown glass dimensions vary by nature and intent

Made in the Czech Republic

LT399 [---][--] Drape Linear 5 Chandelier

- Glass colors
- Clear [CLR]
  - New Blue [NBL]
  - Olivin [OLV]
  - Smoke [SMK]
  - White [WHT]
- Metal finishes
- Dark Oxidized [DX]
  - Brushed Brass [BB]
  - Brushed Nickel [BN]
  - Polished Nickel [PN]
- Cord Colors
- Black
  - Blue
  - Gold
  - Gray



twentieth

sales@twentieth.net

323.904.1200

www.twentieth.net

Copyright © May 2023 Sklo.com

54



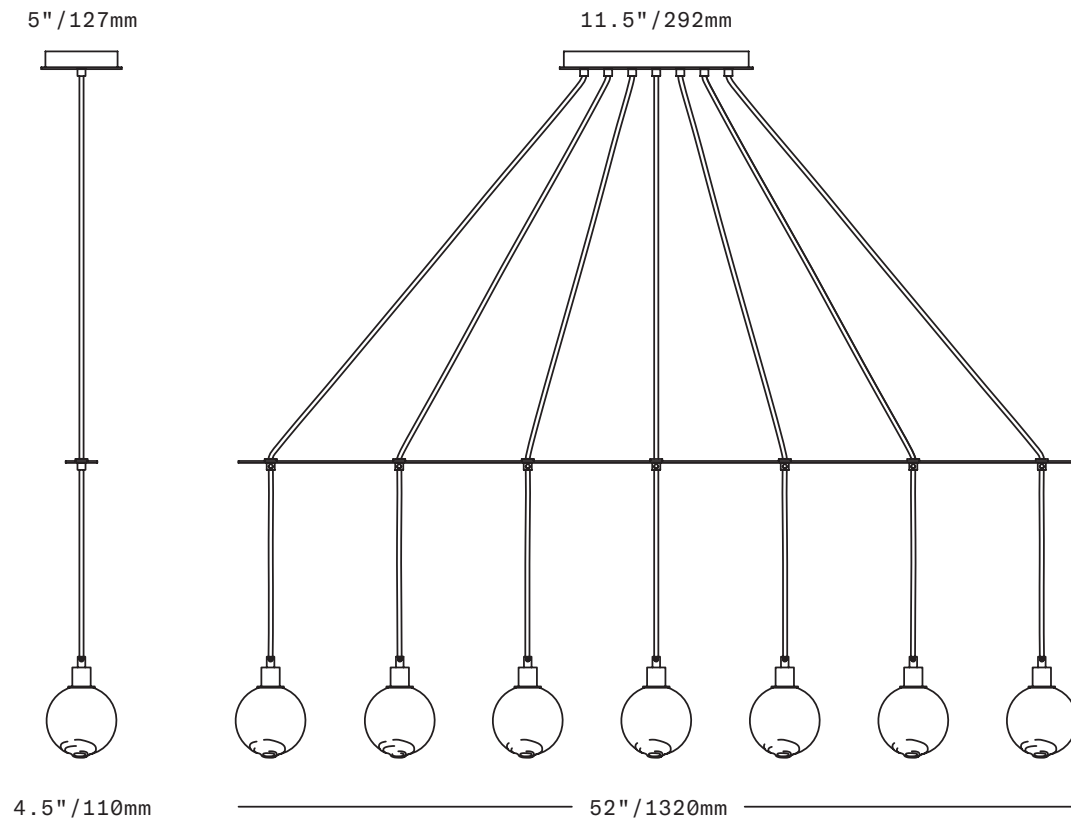
Copyright © May 2023 Sklo.com

55

# SkLO

## Drape Linear 7

CHANDELIER



The Drape Linear 7 Chandelier consists of 7 individual pendants gathered into a straight line and supported by a flat brass bar. Each pendant features a 4.5"/110mm diameter sphere of handblown Czech glass suspended on a fabric-wrapped electrical cord. The cords pass through and are affixed to the bar and are evenly spaced around its length. The glass diffusers feature the signature SkLO double-dipped, fire-polished mouths which show where the glass is broken from the blower's pipe, making each unique. Cord lengths are field adjustable.

UL listed suitable for dry and damp locations (US & Canada)

Sockets 120V G9 7W Max

LED bulbs included

Requires recessed electrical box for installation

Accommodates sloped ceilings

Standard cord length 72"/1800mm – field adjustable – longer lengths available at additional cost

Fixture weight (approximate): 22lbs/10kg

All glass dimensions are approximate – handblown glass dimensions vary by nature and intent

Made in the Czech Republic

LT400 [---][--] Drape Linear 7 Chandelier

Glass colors

- Clear [CLR]
- New Blue [NBL]
- Olivin [OLV]
- Smoke [SMK]
- White [WHT]

Metal finishes

- Dark Oxidized [DX]
- Brushed Brass [BB]
- Brushed Nickel [BN]
- Polished Nickel [PN]

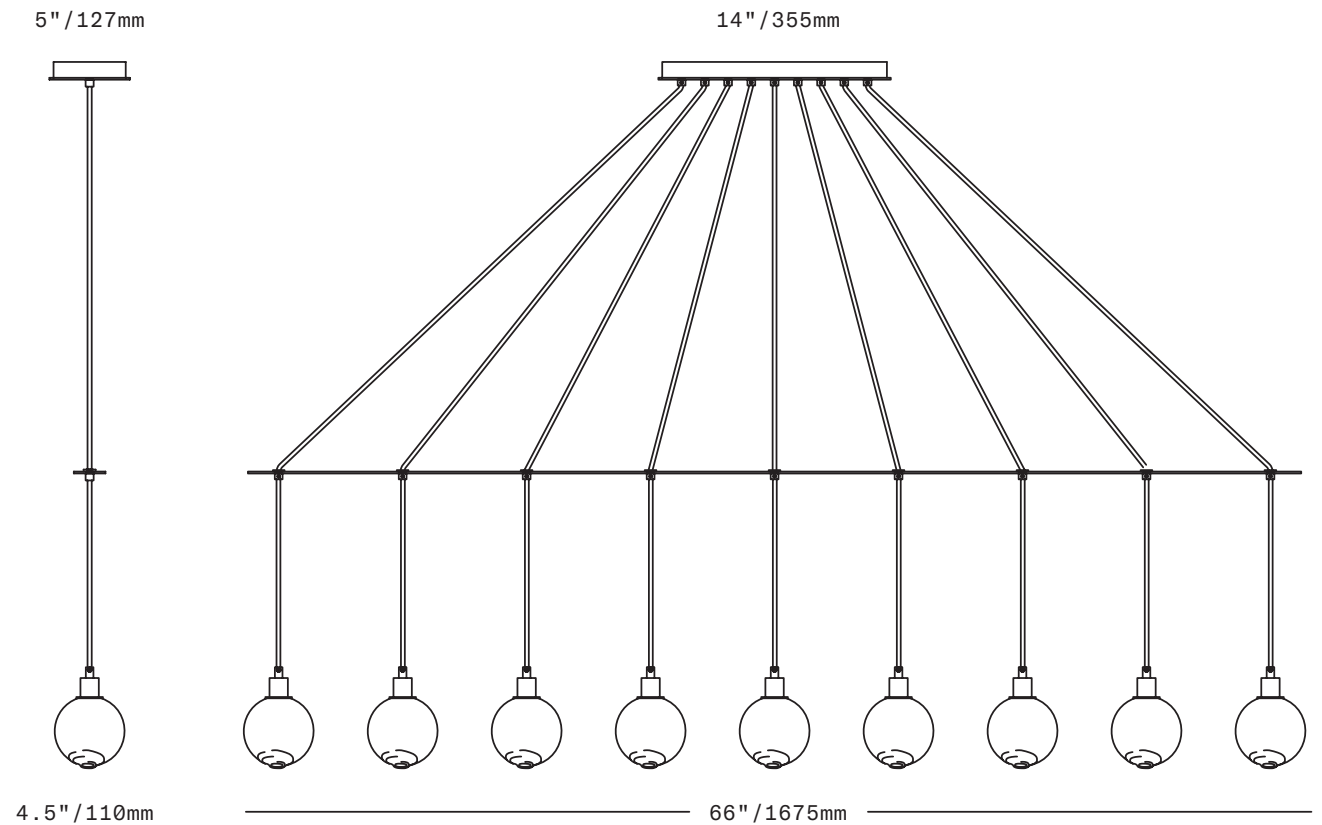
Cord Colors

- Black
- Blue
- Gold
- Gray

# SkLO

## Drape Linear 9

CHANDELIER



The Drape Linear 9 Chandelier consists of 9 individual pendants gathered into a straight line and supported by a flat brass bar. Each pendant features a 4.5"/110mm diameter sphere of handblown Czech glass suspended on a fabric-wrapped electrical cord. The cords pass through and are affixed to the bar and are evenly spaced around its length. The glass diffusers feature the signature SkLO double-dipped, fire-polished mouths which show where the glass is broken from the blower's pipe, making each unique. Cord lengths are field adjustable.

UL listed suitable for dry and damp locations (US & Canada)

Sockets 120V G9 7W Max

LED bulbs included

Requires recessed electrical box for installation

Accommodates sloped ceilings

Standard cord length 72"/1800mm – field adjustable – longer lengths available at additional cost

Fixture weight (approximate): 27lbs/12kg

All glass dimensions are approximate – handblown glass dimensions vary by nature and intent

Made in the Czech Republic

LT401 [---][--] Drape Linear 9 Chandelier

Glass colors

- Clear [CLR]
- New Blue [NBL]
- Olivin [OLV]
- Smoke [SMK]
- White [WHT]

Metal finishes

- Dark Oxidized [DX]
- Brushed Brass [BB]
- Brushed Nickel [BN]
- Polished Nickel [PN]

Cord Colors

- Black
- Blue
- Gold
- Gray



twentieth

sales@twentieth.net

323.904.1200

www.twentieth.net

Copyright © May 2023 Sklo.com

56



Copyright © May 2023 Sklo.com

57

# SkLO

## Drape Skirt 9

CHANDELIER

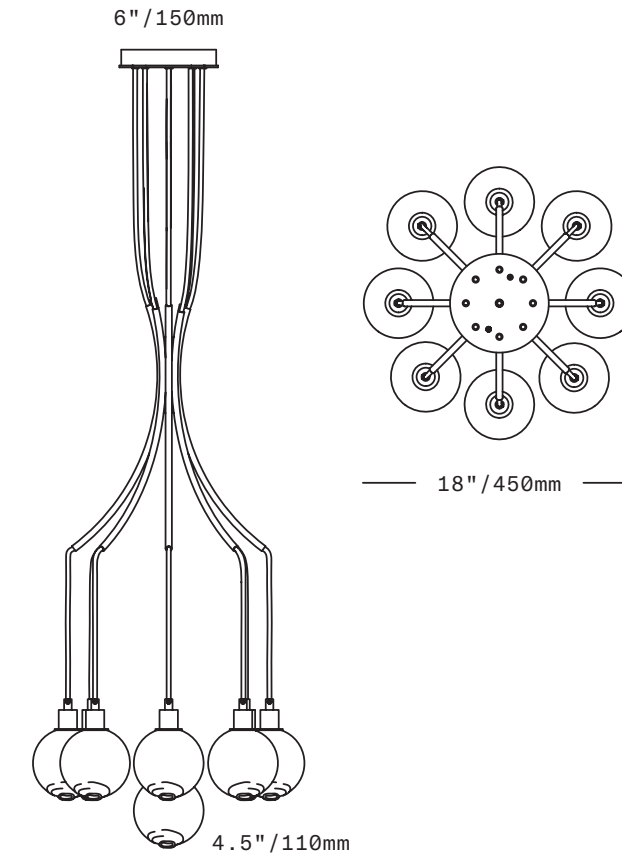


Drape Skirt 9 Chandelier with white glass, brushed brass metal finish, blue cord

# SkLO

## Drape Skirt 9

CHANDELIER



The Drape Skirt 9 Chandelier consists of 9 individual pendants gathered and supported by a central brass "skirt" structure. Each pendant features a 4.5"/110mm diameter sphere of handblown Czech glass suspended on a fabric-wrapped electrical cord. The cords pass through the tubes of the "skirt", and the slight friction created by the cord passing through the bent tubing holds the "skirt" in place. The "skirt" element can be located anywhere along the length of the fixture/cords. The glass diffusers feature the signature SkLO double-dipped, fire-polished mouths which show where the glass is broken from the blower's pipe, making each unique. Cord lengths are field adjustable.

UL listed suitable for dry and damp locations (US & Canada)

Sockets 120V G9 7W Max

LED bulbs included

Requires recessed electrical box for installation

Accommodates sloped ceilings

Standard cord length 72"/1800mm – field adjustable – longer lengths available at additional cost

Fixture weight (approximate): 25lbs/11kg

All glass dimensions are approximate – handblown glass dimensions vary by nature and intent

Made in the Czech Republic

LT295 [---][--] Drape Skirt 9 Chandelier

Glass colors

- Clear [CLR]
- New Blue [NBL]
- Olivin [OLV]
- Smoke [SMK]
- White [WHT]

Metal finishes

- Dark Oxidized [DX]
- Brushed Brass [BB]
- Brushed Nickel [BN]
- Polished Nickel [PN]

Cord Colors

- Black
- Blue
- Gold
- Gray



twentieth

sales@twentieth.net

323.904.1200

www.twentieth.net

Copyright © May 2023 Sklo.com

58



Copyright © May 2023 Sklo.com

59



*Kanoun Patisserie, Paris*  
Architect, Vincent Eschalié  
Interiors, Diane de Kergal  
Photography, Nicolas Matheus

twentieth

sales@twentieth.net 323.904.1200 www.twentieth.net

# SkLO

## Drape Skirt 15

CHANDELIER

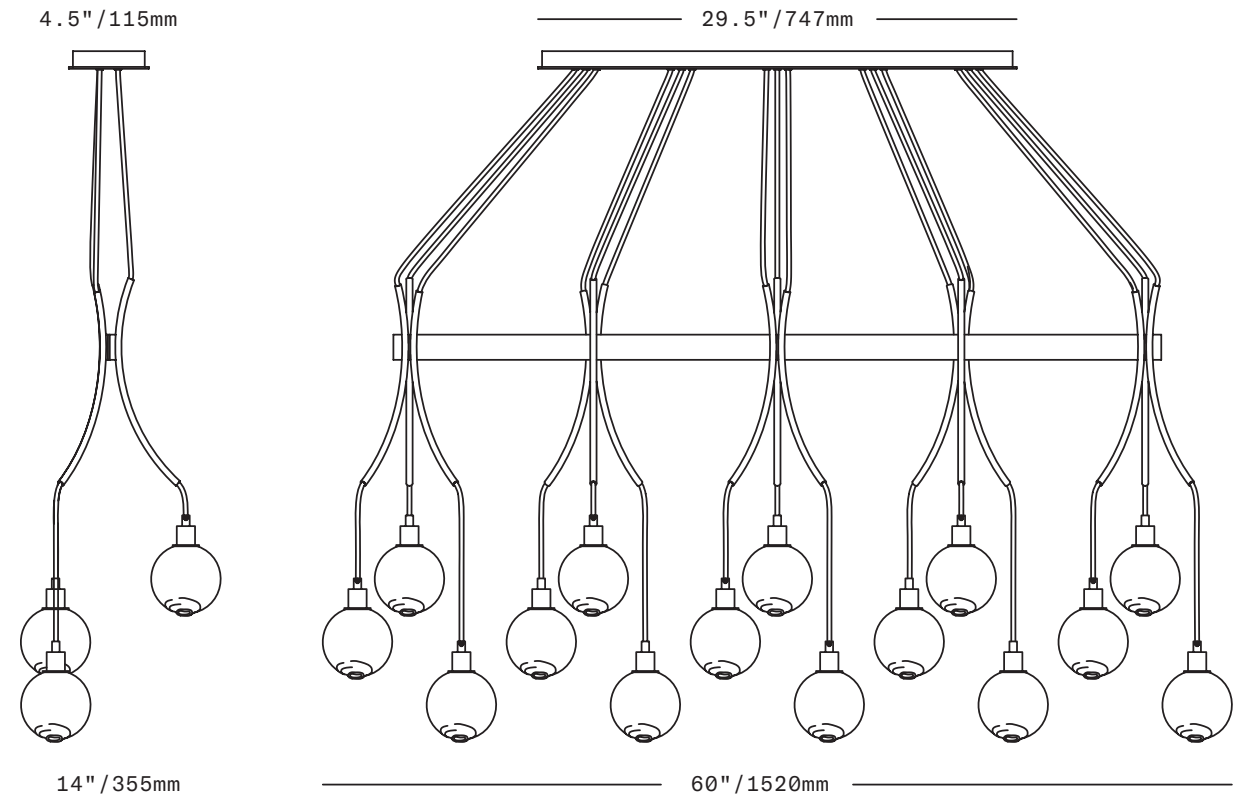


Drape Skirt 15 Chandelier with white glass, brushed brass metal finish, black cord

# SkLO

## Drape Skirt 15

CHANDELIER



The Drape Skirt 15 Chandelier consists of 15 individual pendants gathered into 5 groups of 3 and supported by a series of 5 brass "skirt" structures along the length of a brass bar. The brass "skirts" attach to the bar by a series of simple slotted connections, allowing the "skirts" to hold the bar with the slight friction of the cords passing through the smooth brass tubes of the "skirts". Each pendant features a 4.5"/110mm diameter sphere of handblown Czech glass suspended on a fabric-wrapped electrical cord. The cords pass through and are affixed to the bar and are evenly spaced around its length. The glass diffusers feature the signature SkLO double-dipped, fire-polished mouths which show where the glass is broken from the blower's pipe, making each unique. Cord lengths are field adjustable.

UL listed suitable for dry and damp locations (US & Canada)

Sockets 120V G9 7W Max

LED bulbs included

Requires recessed electrical box for installation

Not recommended for sloped ceilings

Standard cord length 72"/1800mm – field adjustable – longer lengths available at additional cost

Fixture weight (approximate): 50lbs/23kg

All glass dimensions are approximate – handblown glass dimensions vary by nature and intent

Made in the Czech Republic

LT290 [---][--] Drape Skirt 15 Chandelier

- Glass colors
- Clear [CLR]
  - New Blue [NBL]
  - Olivin [OLV]
  - Smoke [SMK]
  - White [WHT]
- Metal finishes
- Dark Oxidized [DX]
  - Brushed Brass [BB]
  - Brushed Nickel [BN]
  - Polished Nickel [PN]
- Cord Colors
- Black
  - Blue
  - Gold
  - Gray



twentieth

sales@twentieth.net

323.904.1200

www.twentieth.net

Copyright © May 2023 Sklo.com

62



Copyright © May 2023 Sklo.com

63



# SkLO

## Drape Skirt 18

CHANDELIER

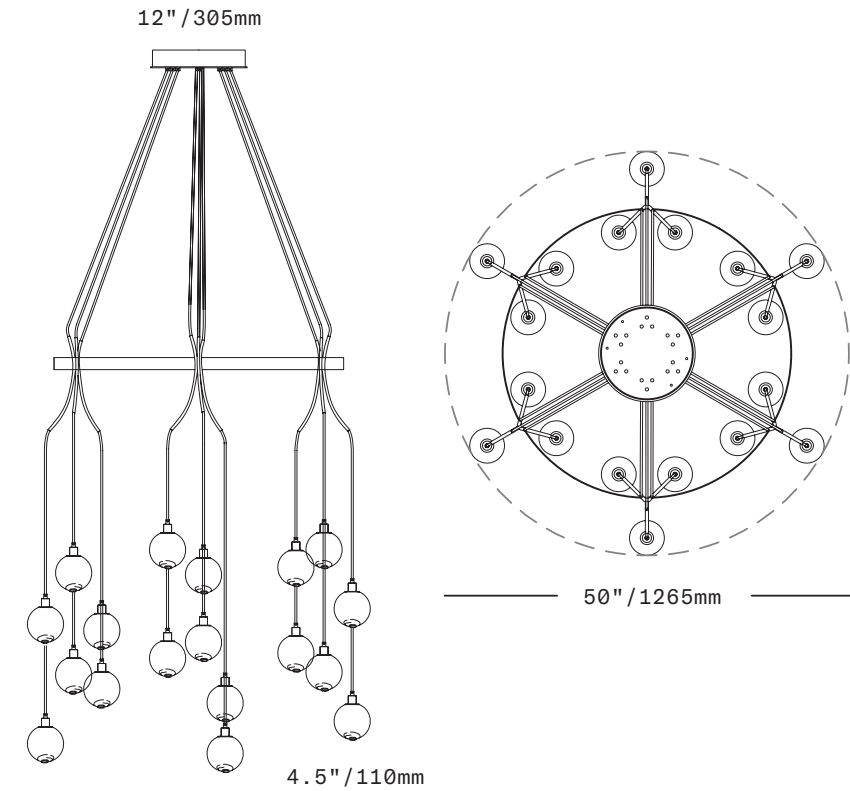


Drape Skirt 18 Chandelier with white glass, brushed brass metal finish, black cord

# SkLO

## Drape Skirt 18

CHANDELIER



The Drape Skirt 18 Chandelier consists of 18 individual pendants gathered into 6 groups of 3 and supported by a series of 6 brass "skirt" structures arranged around the circumference of a brass ring. The brass "skirts" attach to the ring by a series of simple slotted connections, allowing the "skirts" to hold the ring with the slight friction of the cords passing through the smooth brass tubes of the "skirts". Each pendant features a 4.5"/110mm diameter sphere of handblown Czech glass suspended on a fabric-wrapped electrical cord. The glass diffusers feature the signature SkLO double-dipped, fire-polished mouths which show where the glass is broken from the blower's pipe, making each unique. Cord lengths are field adjustable.

UL listed suitable for dry and damp locations (US & Canada)

Sockets 120V G9 7W Max

LED bulbs included

Requires recessed electrical box for installation

Not recommended for sloped ceilings

Standard cord length 96"/2400mm – field adjustable – longer lengths available at additional cost

Fixture weight (approximate): 65lbs/30kg

All glass dimensions are approximate – handblown glass dimensions vary by nature and intent

Made in the Czech Republic

LT293 [---][--] Drape Skirt 18 Chandelier

Glass colors

- Clear [CLR]
- New Blue [NBL]
- Olivin [OLV]
- Smoke [SMK]
- White [WHT]

Metal finishes

- Dark Oxidized [DX]
- Brushed Brass [BB]
- Brushed Nickel [BN]
- Polished Nickel [PN]

Cord Colors

- Black
- Blue
- Gold
- Gray



twentieth

sales@twentieth.net

323.904.1200

www.twentieth.net

Copyright © May 2023 Sklo.com

64



Copyright © May 2023 Sklo.com

65



*The Shelby Bar / Nexus Club, New York City*  
Architect, Morris Adjmi Architects  
Photography, Nicole Franzen

twentieth

sales@twentieth.net 323.904.1200 www.twentieth.net

# SkLO

## Float 1.0

PENDANT

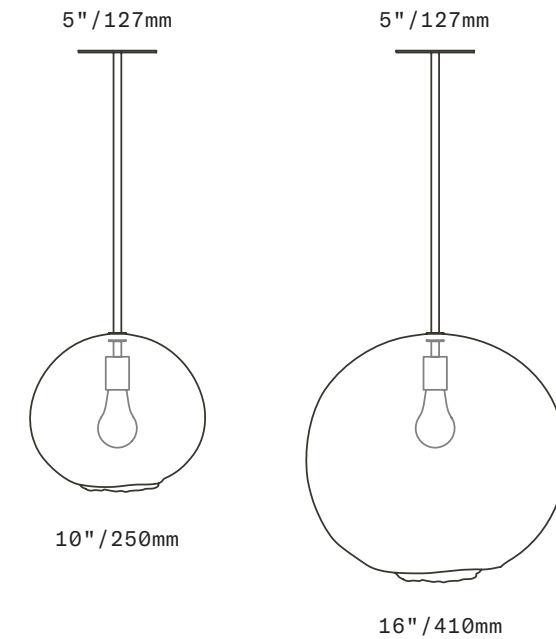


Float 1.0 Pendants with white glass and brushed brass metal finish

# SkLO

## Float 1.0

PENDANT



Spheres of handblown Czech glass with molten, organically shaped open mouths on the underside. Suspended on rigid brass tube stems, the Float Pendants are blown without the use of moulds, so that the spherical shades are intentionally imperfect in their form. These details allow for the minimal design to show its handmade nature – no two exactly alike.

UL listed suitable for dry and damp locations (US & Canada)

Socket 120V E26 60W Max

LED bulb included

Glass available in two sizes

Requires recessed electrical box for installation

Standard canopy does NOT accommodate sloped ceilings or swagging of this light – other canopy options are available at additional cost – see Canopy Variants specification sheet

Specify overall drop length – Rigid brass tube stems are not field adjustable

Minimum overall drop lengths: 22"/560mm (LT251)  
27"/685mm (LT252)

Lengths over the below available at additional cost:  
53"/1350mm (LT251)  
58"/1470mm (LT252)

Fixture weights (approximate): 8lbs/3.5kg (LT251)  
15lbs/7kg (LT252)

All glass dimensions are approximate – handblown glass dimensions vary by nature and intent

Made in the Czech Republic

LT251 [---][--]  
LT252 [---][--]

10"/250mm glass  
16"/410mm glass

Glass colors

- Amber [AMB]
- Clear [CLR]
- Smoke [SMK]
- Smokey Brown [SMB]
- White [WHT]

Metal finishes

- Dark Oxidized [DX]
- Brushed Brass [BB]
- Brushed Nickel [BN]
- Polished Nickel [PN]



twentieth

sales@twentieth.net

323.904.1200

www.twentieth.net

Copyright © May 2023 Sklo.com

68



Copyright © May 2023 Sklo.com

69



twentieth

sales@twentieth.net 323.904.1200 www.twentieth.net

# SkLO

## Float 2.0

LIGHT

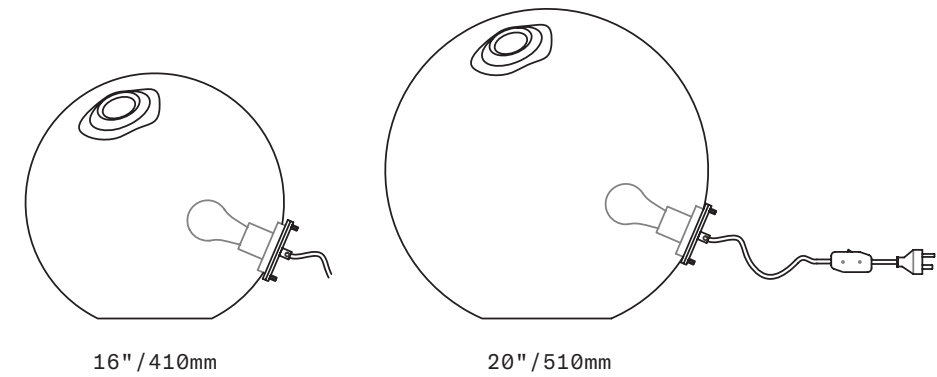


Float 2.0 Light with 20"/510mm smoke glass and brushed brass metal finish

# SkLO

## Float 2.0

LIGHT



Large spheres of handblown Czech glass with a custom brass socket assembly through one side. Each glass sphere is blown by hand without the use of moulds, and so is slightly imperfect in shape. Available in two sizes. Each is broken hot from the blower's pipe and the mouth then fire-polished to create an uncontrollable detail unique to each piece. Two brass thumb screws attach the removable bulb-and-socket from the side of the glass.

UL listed suitable for dry locations only (US & Canada)

Socket 120V E26 60W Max

LED bulb included

Glass available in two sizes

72"/1800mm black fabric-wrapped cord with in-line switch

All glass dimensions are approximate – handblown glass dimensions vary by nature and intent

Made in the Czech Republic

LT216 [---][--] 16"/410mm glass  
LT220 [---][--] 20"/510mm glass

Glass colors

- Amber [AMB]
- Clear [CLR]
- Smoke [SMK]
- Smokey Brown [SMB]
- White [WHT]

Metal finishes

- Dark Oxidized [DX]
- Brushed Brass [BB]
- Brushed Nickel [BN]
- Polished Nickel [PN]



twentieth

sales@twentieth.net

323.904.1200

www.twentieth.net

Copyright © May 2023 Sklo.com 72



Copyright © May 2023 Sklo.com 73

# SkLO

## Float 2.0

PENDANT

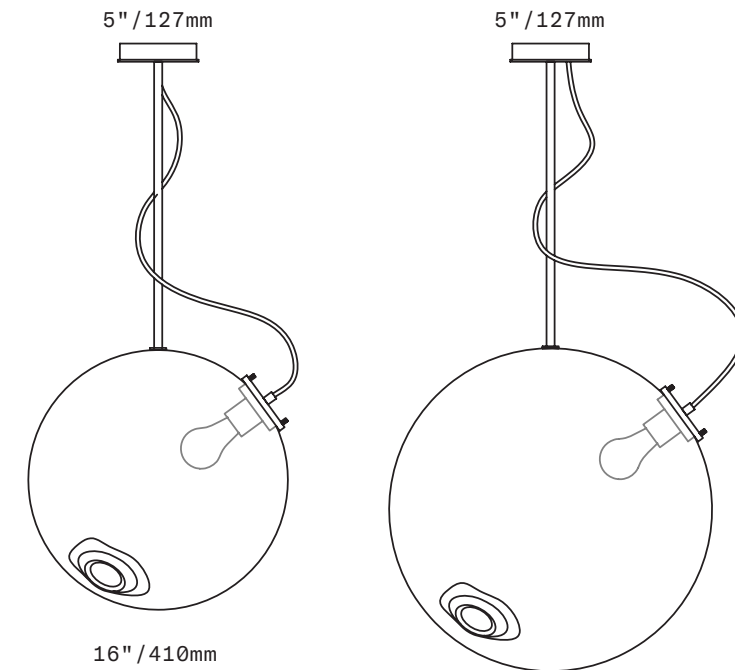


Float 2.0 Pendants with 20"/510mm clear and smoke glass, brushed brass metal finish, black cords

# SkLO

## Float 2.0

PENDANT



Large spheres of handblown Czech glass suspended on rigid brass stems. Two glass sizes available. A custom brass socket assembly through one side holds the light bulb and is connected to the canopy at the ceiling with a length of exposed fabric-wrapped electrical cord. Each glass sphere is blown by hand without the use of moulds, and so is slightly imperfect in shape. Two brass thumb screws attach the removable bulb-and-socket from the side of the glass.

UL listed suitable for dry and damp locations (US & Canada)

Socket 120V E26 60W Max

LED bulb included

Glass available in two sizes

Requires recessed electrical box for installation

Standard canopy does NOT accommodate sloped ceilings or swagging of this light – other canopy options are available at additional cost – see Canopy Variants specification sheet

Specify overall drop length – Rigid brass tube stems are not field adjustable

Minimum overall drop lengths: 29"/735mm (LT259)  
33"/840mm (LT319)

Lengths over the below available at additional cost:  
64"/1630mm (LT259)  
68"/1730mm (LT319)

Fabric-wrapped electrical cord length will be supplied based on overall drop length specified – field adjustable

Fixture weights (approximate): 16lbs/7kg (LT259)  
20lbs/9kg (LT319)

All glass dimensions are approximate – handblown glass dimensions vary by nature and intent

Made in the Czech Republic

20" / 510mm

LT259 [---][---]  
LT319 [---][---]

Glass colors

- Amber [AMB]
- Clear [CLR]
- Smoke [SMK]
- Smokey Brown [SMB]
- White [WHT]

Metal finishes

- Dark Oxidized [DX]
- Brushed Brass [BB]
- Brushed Nickel [BN]
- Polished Nickel [PN]

Cord Colors

- Black
- Blue
- Gold
- Gray



twentieth

sales@twentieth.net

323.904.1200

www.twentieth.net

Copyright © May 2023 Sklo.com

74



Copyright © May 2023 Sklo.com

75

# SkLO

## Fold

PENDANT

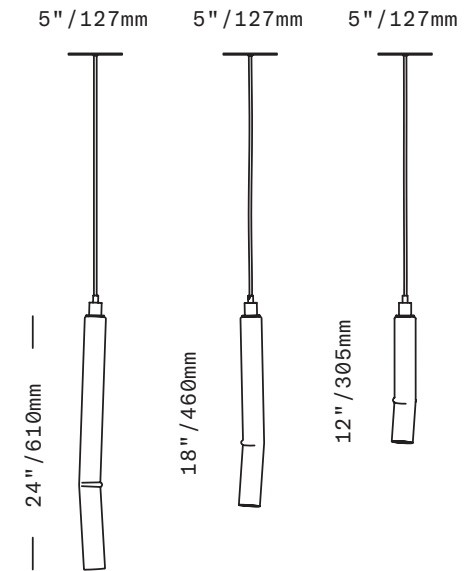


From left: Fold 18 Pendant with gray cord, Fold 24 Pendant with black cord, and Fold 12 Pendant with gold cord. All in white glass with brushed brass metal finish.

# SkLO

## Fold

PENDANT



Cylinders of handblown Czech glass with a gentle, intentional “fold”. Approximately 2”/50mm in diameter, the cylinders are sculpted by hand, each slightly different. Available in three different lengths of Fold glass: 12”/305mm, 18”/460mm, and 24”/610mm. Suspended on a fabric-wrapped electrical cord from a simple brass canopy. Cord lengths are field adjustable.

UL listed suitable for dry and damp locations (US & Canada)

Socket 120V G9 7W Max

LED bulb included

Requires recessed electrical box for installation

Accommodates sloped ceilings

Standard cord length 72”/1800mm – field adjustable – longer lengths available at additional cost

Fixture weights (approximate):  
 2lbs/0.9kg (LT110)  
 2.5lbs/1.2kg (LT111)  
 3lbs/1.4kg (LT112)

All glass dimensions are approximate – handblown glass dimensions vary by nature and intent

Made in the Czech Republic

LT110 [---][--]  
 LT111 [---][--]  
 LT112 [---][--]

Glass colors  
 Clear [CLR]  
 White [WHT]

Metal finishes  
 Dark Oxidized [DX]  
 Brushed Brass [BB]  
 Brushed Nickel [BN]  
 Polished Nickel [PN]

Cord Colors  
 Black  
 Blue  
 Gold  
 Gray



twentieth

sales@twentieth.net

323.904.1200

www.twentieth.net

Copyright © May 2023 Sklo.com

76



Copyright © May 2023 Sklo.com

77

# SkLO

## Fold Linear

CHANDELIER

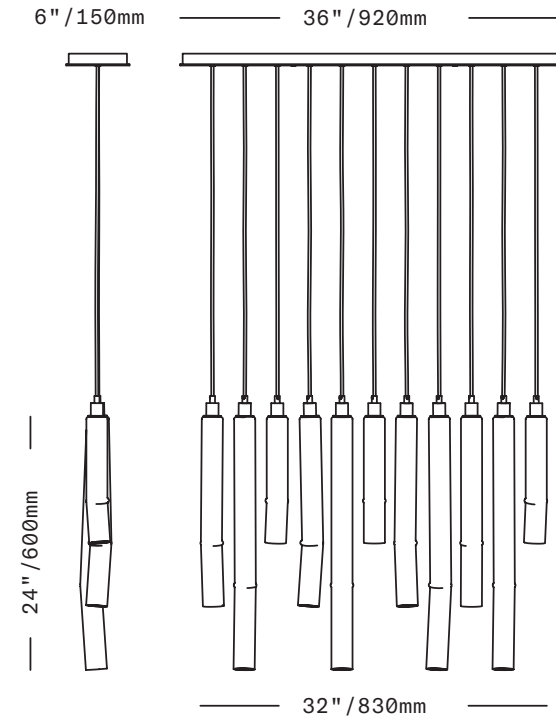


Fold Linear 11 Chandelier with white glass, brushed brass metal finish, black cord

# SkLO

## Fold Linear 11

CHANDELIER



The Fold Linear 11 Chandelier consists of 11 individual pendants suspended in a row from a single rectangular canopy. Each pendant features one of the signature glass elements of the Fold collection: Cylinders of handblown Czech glass with a gentle, intentional “fold”. Approximately 2”/50mm in diameter, the cylinders are sculpted by hand, each slightly different. The glass comes in a mix of 3 different lengths: 12”/305mm, 18”/460mm, and 24”/610mm. Suspended on a fabric-wrapped electrical cord. Cord lengths are field adjustable.

UL listed suitable for dry and damp locations (US & Canada)

Sockets 120V G9 7W Max

LED bulbs included

Requires recessed electrical box for installation

Accommodates sloped ceilings

Standard cord length 72”/1800mm – field adjustable – longer lengths available at additional cost

Fixture weight (approximate): 55lbs/25kg

All glass dimensions are approximate – handblown glass dimensions vary by nature and intent

Made in the Czech Republic

LT423 [---][--] Fold Linear 11 Chandelier

Glass colors  
 Clear [CLR]  
 White [WHT]

Metal finishes  
 Dark Oxidized [DX]  
 Brushed Brass [BB]  
 Brushed Nickel [BN]  
 Polished Nickel [PN]

Cord Colors  
 Black  
 Blue  
 Gold  
 Gray



twentieth

sales@twentieth.net

323.904.1200

www.twentieth.net

Copyright © May 2023 Sklo.com

78



Copyright © May 2023 Sklo.com

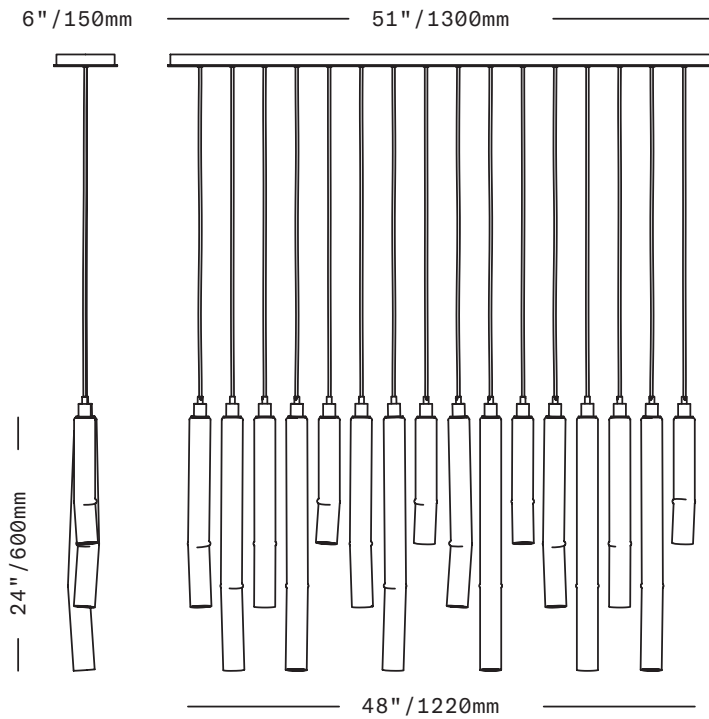
79



# SkLO

## Fold Linear 16

CHANDELIER



The Fold Linear 16 Chandelier consists of 16 individual pendants suspended in a row from a single rectangular canopy. Each pendant features one of the signature glass elements of the Fold collection: Cylinders of handblown Czech glass with a gentle, intentional “fold”. Approximately 2”/50mm in diameter, the cylinders are sculpted by hand, each slightly different. The glass comes in a mix of 3 different lengths: 12”/305mm, 18”/460mm, and 24”/610mm. Suspended on a fabric-wrapped electrical cord. Cord lengths are field adjustable.

UL listed suitable for dry and damp locations (US & Canada)

Sockets 120V G9 7W Max

LED bulbs included

Requires recessed electrical box for installation

Accommodates sloped ceilings

Standard cord length 72”/1800mm – field adjustable – longer lengths available at additional cost

Fixture weight (approximate): 80lbs/36kg

All glass dimensions are approximate – handblown glass dimensions vary by nature and intent

Made in the Czech Republic

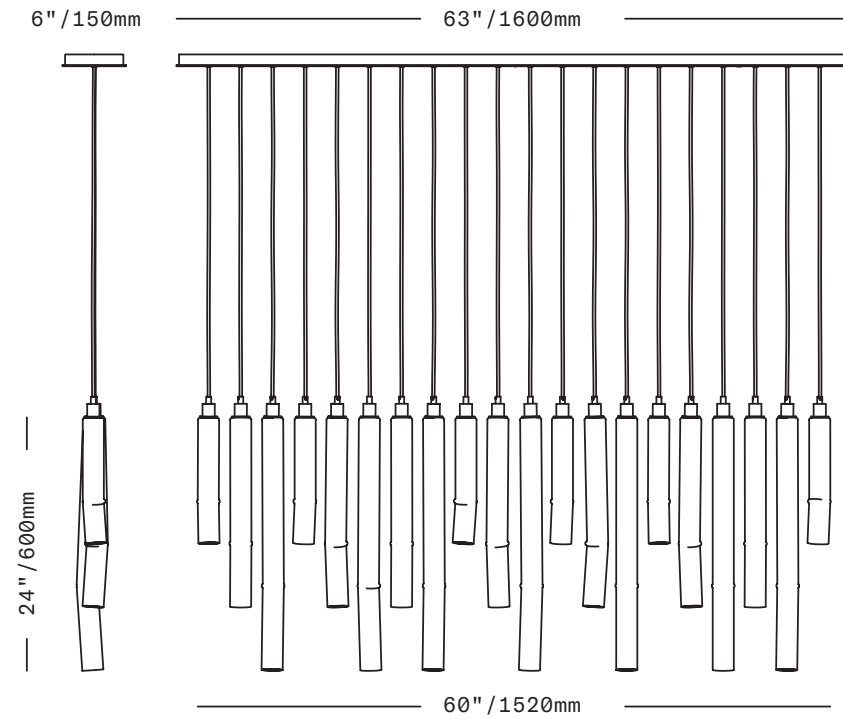
LT424 [---][--] Fold Linear 16 Chandelier

- Glass colors
- Clear [CLR]
  - White [WHT]
- Metal finishes
- Dark Oxidized [DX]
  - Brushed Brass [BB]
  - Brushed Nickel [BN]
  - Polished Nickel [PN]
- Cord Colors
- Black
  - Blue
  - Gold
  - Gray

# SkLO

## Fold Linear 20

CHANDELIER



The Fold Linear 20 Chandelier consists of 20 individual pendants suspended in a row from a single rectangular canopy. Each pendant features one of the signature glass elements of the Fold collection: Cylinders of handblown Czech glass with a gentle, intentional “fold”. Approximately 2”/50mm in diameter, the cylinders are sculpted by hand, each slightly different. The glass comes in a mix of 3 different lengths: 12”/305mm, 18”/460mm, and 24”/610mm. Suspended on a fabric-wrapped electrical cord. Cord lengths are field adjustable.

UL listed suitable for dry and damp locations (US & Canada)

Sockets 120V G9 7W Max

LED bulbs included

Requires recessed electrical box for installation

Accommodates sloped ceilings

Standard cord length 72”/1800mm – field adjustable – longer lengths available at additional cost

Fixture weight (approximate): 100lbs/45kg

All glass dimensions are approximate – handblown glass dimensions vary by nature and intent

Made in the Czech Republic

LT425 [---][--] Fold Linear 20 Chandelier

- Glass colors
- Clear [CLR]
  - White [WHT]
- Metal finishes
- Dark Oxidized [DX]
  - Brushed Brass [BB]
  - Brushed Nickel [BN]
  - Polished Nickel [PN]
- Cord Colors
- Black
  - Blue
  - Gold
  - Gray



twentieth

sales@twentieth.net

323.904.1200

www.twentieth.net

Copyright © May 2023 Sklo.com 80



Copyright © May 2023 Sklo.com 81

# SkLO

## Fold Round

CHANDELIER

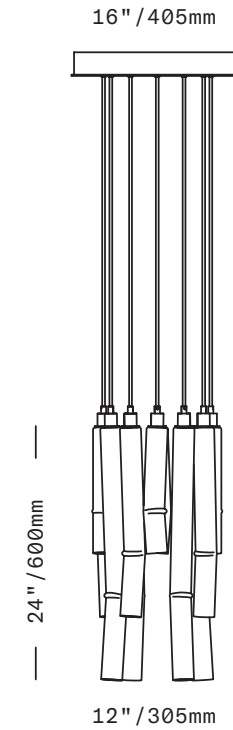


Fold Round 12 Chandelier with white glass, dark oxidized metal finish, black cord

# SkLO

## Fold Round 12

CHANDELIER



The Fold Round 12 Chandelier consists of 12 individual pendants suspended in a circle from a single round canopy. Each pendant features one of the signature glass elements of the Fold collection: Cylinders of handblown Czech glass with a gentle, intentional "fold". Approximately 2"/50mm in diameter, the cylinders are sculpted by hand, each slightly different. The glass comes in a mix of 3 different lengths: 12"/305mm, 18"/460mm, and 24"/610mm. Suspended on a fabric-wrapped electrical cord. Cord lengths are field adjustable.

UL listed suitable for dry and damp locations (US & Canada)

Sockets 120V G9 7W Max

LED bulbs included

Requires recessed electrical box for installation

Accommodates sloped ceilings

Standard cord length 72"/1800mm – field adjustable – longer lengths available at additional cost

Fixture weight (approximate): 60lbs/27kg

All glass dimensions are approximate – handblown glass dimensions vary by nature and intent

Made in the Czech Republic

LT420 [---][--] Fold Round 12 Chandelier

Glass colors  Clear [CLR]  
 White [WHT]

Metal finishes  Dark Oxidized [DX]  
 Brushed Brass [BB]  
 Brushed Nickel [BN]  
 Polished Nickel [PN]

Cord Colors  Black  
 Blue  
 Gold  
 Gray



twentieth

sales@twentieth.net

323.904.1200

www.twentieth.net

Copyright © May 2023 Sklo.com

82



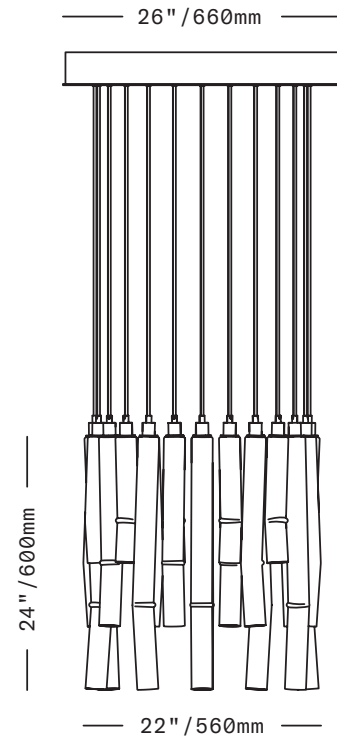
Copyright © May 2023 Sklo.com

83

# SkLO

## Fold Round 24

CHANDELIER



The Fold Round 24 Chandelier consists of 24 individual pendants suspended in a circle from a single round canopy. Each pendant features one of the signature glass elements of the Fold collection: Cylinders of handblown Czech glass with a gentle, intentional “fold”. Approximately 2”/50mm in diameter, the cylinders are sculpted by hand, each slightly different. The glass comes in a mix of 3 different lengths: 12”/305mm, 18”/460mm, and 24”/610mm. Suspended on a fabric-wrapped electrical cord. Cord lengths are field adjustable.

UL listed suitable for dry and damp locations (US & Canada)

Sockets 120V G9 7W Max

LED bulbs included

Requires recessed electrical box for installation

Accommodates sloped ceilings

Standard cord length 72”/1800mm – field adjustable – longer lengths available at additional cost

Fixture weight (approximate): 160lbs/73kg

All glass dimensions are approximate – handblown glass dimensions vary by nature and intent

Made in the Czech Republic

LT421 [---][--] Fold Round 24 Chandelier

- Glass colors
- Clear [CLR]
  - White [WHT]
- Metal finishes
- Dark Oxidized [DX]
  - Brushed Brass [BB]
  - Brushed Nickel [BN]
  - Polished Nickel [PN]
- Cord Colors
- Black
  - Blue
  - Gold
  - Gray



twentieth

sales@twentieth.net

323.904.1200

www.twentieth.net

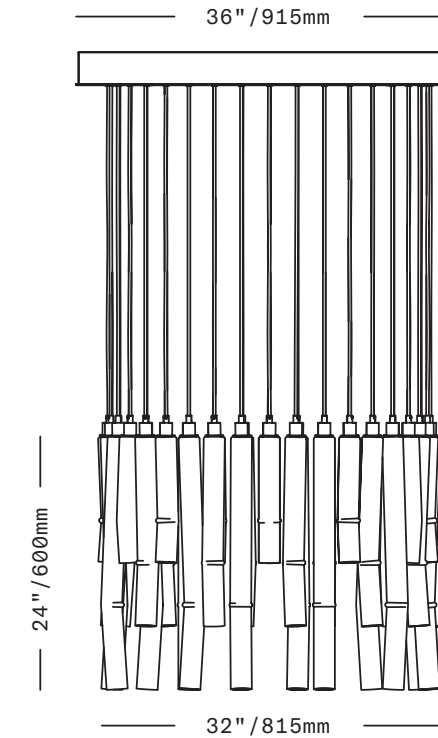
Copyright © May 2023 Sklo.com

84

# SkLO

## Fold Round 36

CHANDELIER



The Fold Round 36 Chandelier consists of 36 individual pendants suspended in a circle from a single round canopy. Each pendant features one of the signature glass elements of the Fold collection: Cylinders of handblown Czech glass with a gentle, intentional “fold”. Approximately 2”/50mm in diameter, the cylinders are sculpted by hand, each slightly different. The glass comes in a mix of 3 different lengths: 12”/305mm, 18”/460mm, and 24”/610mm. Suspended on a fabric-wrapped electrical cord. Cord lengths are field adjustable.

UL listed suitable for dry and damp locations (US & Canada)

Sockets 120V G9 7W Max

LED bulbs included

Requires recessed electrical box for installation

Accommodates sloped ceilings

Standard cord length 72”/1800mm – field adjustable – longer lengths available at additional cost

Fixture weight (approximate): 200lbs/91kg

All glass dimensions are approximate – handblown glass dimensions vary by nature and intent

Made in the Czech Republic

LT422 [---][--] Fold Round 36 Chandelier

- Glass colors
- Clear [CLR]
  - White [WHT]
- Metal finishes
- Dark Oxidized [DX]
  - Brushed Brass [BB]
  - Brushed Nickel [BN]
  - Polished Nickel [PN]
- Cord Colors
- Black
  - Blue
  - Gold
  - Gray



Copyright © May 2023 Sklo.com

85



*Curly's Cove, Bodega Bay California*  
Architect, Lundberg Design  
Photography, Lundberg Design

twentieth

sales@twentieth.net

323.904.1200

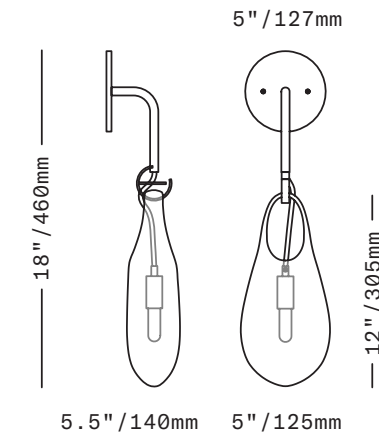
www.twentieth.net

**SkLO**  
Hold 12  
SCONCE



Hold 12 Sconce with white glass, brushed brass metal finish, black cord

**SkLO**  
Hold 12  
SCONCE



A smaller version of the SkLO Hold Vessel – an expressive glass vessel that appears to droop from its hook as if molten – serves as a shade on this wall sconce. The socket is suspended from the hook on a fabric-wrapped electrical cord and is loosely suspended within the glass. A removable threaded pin within the brass hook can be used to secure the glass if required.

UL listed suitable for dry and damp locations (US & Canada)

Socket 120V G9 7W Max

LED bulb included

Requires recessed electrical box for installation

Fixture weight (approximate): 5lbs/2.5kg

All glass dimensions are approximate – handblown glass dimensions vary by nature and intent

Made in the Czech Republic

LT267 [---][--]

Hold 12 Sconce

Glass colors

- Clear [CLR]
- Gray [GRY]
- New Blue [NBL]
- Olivin [OLV]
- Smoke [SMK]
- White [WHT]

Metal finishes

- Dark Oxidized [DX]
- Brushed Brass [BB]
- Brushed Nickel [BN]
- Polished Nickel [PN]

Cord Colors

- Black
- Blue
- Gold
- Gray



twentieth

sales@twentieth.net

323.904.1200

www.twentieth.net

Copyright © May 2023 Sklo.com

88



Copyright © May 2023 Sklo.com

89

# SkLO

## Hold 18

SCONCE

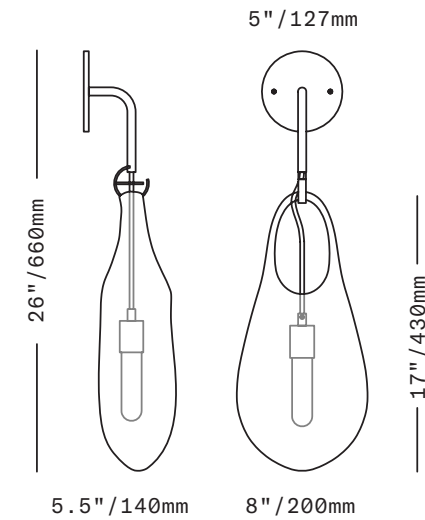


Hold 18 Sconce with smoke glass, brushed brass metal finish, black cord

# SkLO

## Hold 18

SCONCE



An expressive glass vessel that appears to droop from its hook as if molten serves as a shade on this wall sconce. The socket is suspended from the hook on a fabric-wrapped electrical cord and is loosely suspended within the glass. A removable threaded pin within the brass hook can be used to secure the glass if required.

UL listed suitable for dry and damp locations (US & Canada)

Socket 120V E26 60W Max

LED bulb included

Requires recessed electrical box for installation

Fixture weight (approximate): 6lbs/3kg

All glass dimensions are approximate – handblown glass dimensions vary by nature and intent

Made in the Czech Republic

LT261 [---][--]

Glass colors

Hold 18 Sconce

- Clear [CLR]
- Gray [GRY]
- New Blue [NBL]
- Olivin [OLV]
- Smoke [SMK]
- White [WHT]

Metal finishes

- Dark Oxidized [DX]
- Brushed Brass [BB]
- Brushed Nickel [BN]
- Polished Nickel [PN]

Cord Colors

- Black
- Blue
- Gold
- Gray



twentieth

sales@twentieth.net

323.904.1200

www.twentieth.net

Copyright © May 2023 Sklo.com

90



Copyright © May 2023 Sklo.com

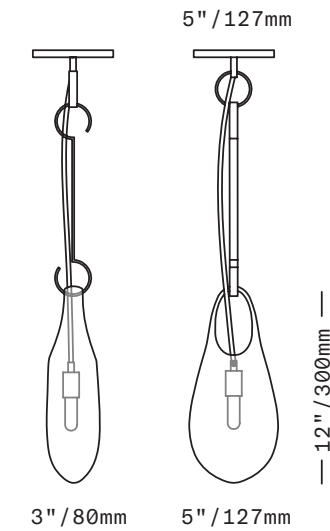
91

**SkLO**  
Hold 12  
PENDANT



Hold 12 Pendant with white glass, brushed brass metal finish, black cord

**SkLO**  
Hold 12  
PENDANT



A smaller version of the SkLO Hold Vessel – an expressive glass vessel that appears to droop from its hook as if molten – serves as a shade on this pendant. The glass shade hangs from a double-ended brass hook, custom fabricated to the specified length. The hook hangs from a loop at the canopy. The brass socket is suspended on an exposed fabric-wrapped electrical cord from the loop at the canopy and suspends the light bulb within the opening at the top of the glass.

UL listed suitable for dry and damp locations (US & Canada)

Socket 120V G9 7W Max

LED bulb included

Requires recessed electrical box for installation

Accommodates sloped ceilings

Specify overall drop length – not field adjustable – brass hook is custom fabricated to order – overall drop length must be specified at the time of order

Minimum overall drop length: 28"/700mm

Lengths over 42"/1070mm available at additional cost

Fixture weight (approximate): 6lbs/3kg

All glass dimensions are approximate – handblown glass dimensions vary by nature and intent

Made in the Czech Republic

- LT265 [---][--] Hold 12 Pendant
- Glass colors
- Clear [CLR]
  - Gray [GRY]
  - New Blue [NBL]
  - Olivin [OLV]
  - Smoke [SMK]
  - White [WHT]
- Metal finishes
- Dark Oxidized [DX]
  - Brushed Brass [BB]
  - Brushed Nickel [BN]
  - Polished Nickel [PN]
- Cord Colors
- Black
  - Blue
  - Gold
  - Gray



twentieth

sales@twentieth.net

323.904.1200

www.twentieth.net

Copyright © May 2023 Sklo.com

92



Copyright © May 2023 Sklo.com

93

# SkLO

## Hold 18

PENDANT

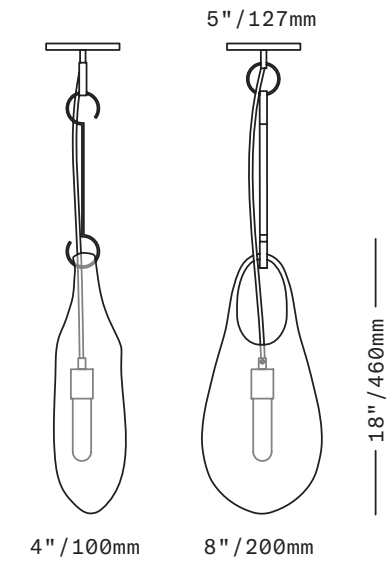


Hold 18 Pendant with white glass, dark oxidized metal finish, black cord

# SkLO

## Hold 18

PENDANT



An expressive glass vessel that appears to droop from its hook as if molten serves as a shade on this pendant. The glass shade hangs from a double-ended brass hook, custom fabricated to the specified length. The hook hangs from a loop at the canopy. The brass socket is suspended on an exposed fabric-wrapped electrical cord from the loop at the canopy and suspends the light bulb within the opening at the top of the glass.

UL listed suitable for dry and damp locations (US & Canada)

Socket 120V E26 60W Max

LED bulb included

Requires recessed electrical box for installation

Accommodates sloped ceilings

Specify overall drop length – not field adjustable – brass hook is custom fabricated to order – overall drop length must be specified at the time of order

Minimum overall drop length: 33"/840mm

Lengths over 48"/1220mm available at additional cost

Fixture weight (approximate): 7lbs/3.5kg

All glass dimensions are approximate – handblown glass dimensions vary by nature and intent

Made in the Czech Republic

- LT262 [---][--] Hold 18 Pendant
- Glass colors
- Clear [CLR]
  - Gray [GRY]
  - New Blue [NBL]
  - Olivin [OLV]
  - Smoke [SMK]
  - White [WHT]
- Metal finishes
- Dark Oxidized [DX]
  - Brushed Brass [BB]
  - Brushed Nickel [BN]
  - Polished Nickel [PN]
- Cord Colors
- Black
  - Blue
  - Gold
  - Gray



twentieth

sales@twentieth.net

323.904.1200

www.twentieth.net

Copyright © May 2023 Sklo.com

94



Copyright © May 2023 Sklo.com

95



# SkLO

## Hold Pin 1.09

PENDANT

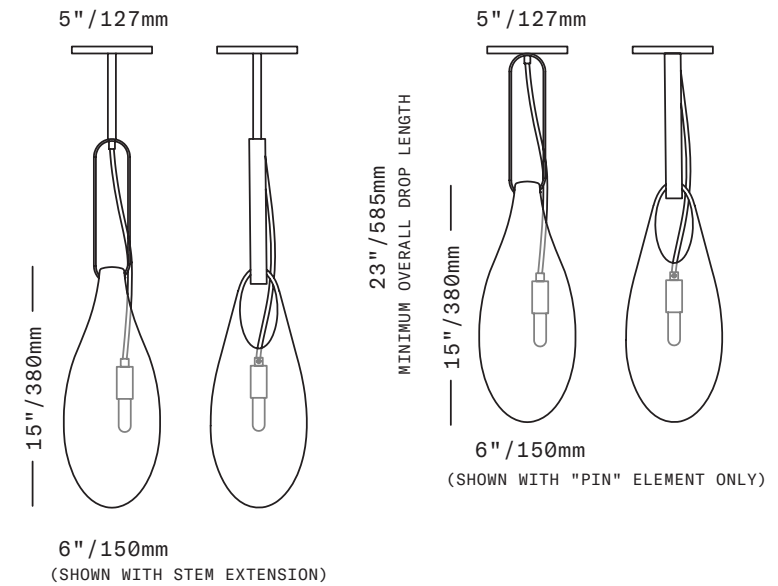


Hold Pin 1.09 Pendant with white glass, brushed brass metal finish, black cord

# SkLO

## Hold Pin 1.09

PENDANT



An expressive glass vessel that appears to stretch under its weight serves as a shade in this pendant. The glass element here is different from that of the Hold Sconce and Hold Pendant in that it is round and not flattened, and it is also of a different size. The glass element hangs from a brass "pin" element, made of a continuous ribbon of the brass bar, which opens and closes to allow for removal of the glass. The brass socket is suspended on an exposed fabric-wrapped electrical cord from the top of the "pin" and suspends the light bulb within the opening at the top of the glass.

UL listed suitable for dry and damp locations (US & Canada)

Socket 120V G9 7W Max

LED bulb included

Requires recessed electrical box for installation

Standard canopy does NOT accommodate sloped ceilings or swagging of this light – other canopy options are available at additional cost – see Canopy Variants specification sheet

Specify overall drop length – not field adjustable

Minimum overall drop length (no stem extension):  
23" / 585mm

Lengths over 62" / 1580mm available at additional cost

Fixture weight (approximate): 6lbs / 3kg

All glass dimensions are approximate – handblown glass dimensions vary by nature and intent

Made in the Czech Republic

LT368 [---][--] Hold Pin 1.09 Pendant

- Glass colors
- Clear [CLR]
  - Gray [GRY]
  - New Blue [NBL]
  - Olivin [OLV]
  - Smoke [SMK]
  - White [WHT]
- Metal finishes
- Dark Oxidized [DX]
  - Brushed Brass [BB]
  - Brushed Nickel [BN]
  - Polished Nickel [PN]
- Cord Colors
- Black
  - Blue
  - Gold
  - Gray



twentieth

sales@twentieth.net

323.904.1200

www.twentieth.net

Copyright © May 2023 Sklo.com

96



Copyright © May 2023 Sklo.com

97

# SkLO

## Hold Pin 1.21

PENDANT

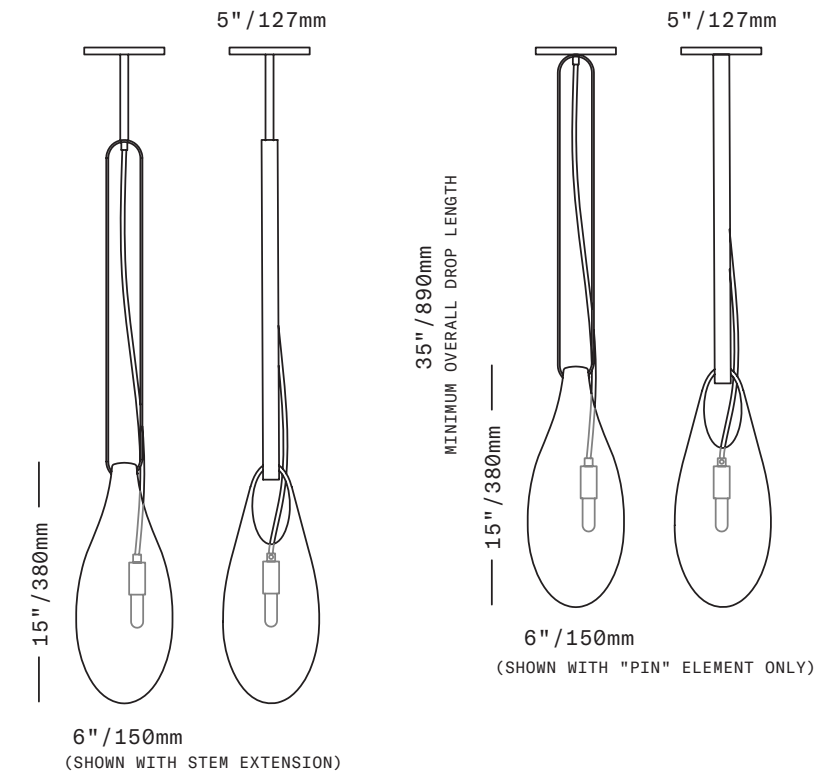


Hold Pin 1.21 Pendants with white glass, brushed brass metal finish, black cord

# SkLO

## Hold Pin 1.21

PENDANT



An expressive glass vessel that appears to stretch under its weight serves as a shade in this pendant. The glass element here is different from that of the Hold Sconce and Hold Pendant in that it is round and not flattened, and it is also of a different size. The glass element hangs from a brass "pin" element, made of a continuous ribbon of the brass bar, which opens and closes to allow for removal of the glass. The brass socket is suspended on an exposed fabric-wrapped electrical cord from the top of the "pin" and suspends the light bulb within the opening at the top of the glass.

UL listed suitable for dry and damp locations (US & Canada)

Socket 120V G9 7W Max

LED bulb included

Requires recessed electrical box for installation

Standard canopy does NOT accommodate sloped ceilings or swagging of this light – other canopy options are available at additional cost – see Canopy Variants specification sheet

Specify overall drop length – not field adjustable

Minimum overall drop length (no stem extension):  
35"/890mm

Lengths over 74"/1880mm available at additional cost

Fixture weight (approximate): 7lbs/3.5kg

All glass dimensions are approximate – handblown glass dimensions vary by nature and intent

Made in the Czech Republic

LT365 [---][--] Hold Pin 1.21 Pendant

- Glass colors
- Clear [CLR]
  - Gray [GRY]
  - New Blue [NBL]
  - Olivin [OLV]
  - Smoke [SMK]
  - White [WHT]
- Metal finishes
- Dark Oxidized [DX]
  - Brushed Brass [BB]
  - Brushed Nickel [BN]
  - Polished Nickel [PN]
- Cord Colors
- Black
  - Blue
  - Gold
  - Gray



twentieth

sales@twentieth.net

323.904.1200

www.twentieth.net

Copyright © May 2023 Sklo.com

98



Copyright © May 2023 Sklo.com

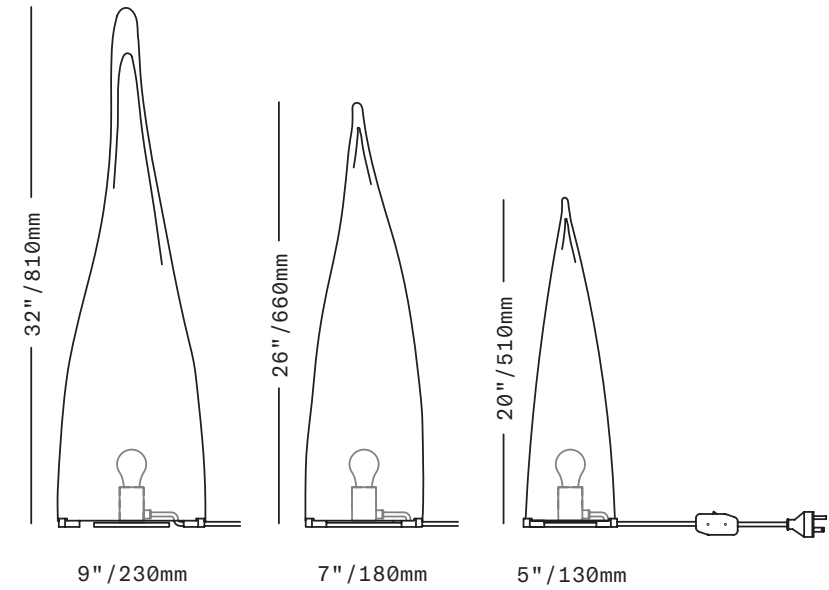
99

**SkLO**  
Kin  
LIGHT



Large and small Kin Light with brushed brass metal finish

**SkLO**  
Kin  
LIGHT



The Kin Light combines a conical shade of handblown Czech glass with a separate brass socket. The glass is opaque white at the open base and fades to clear at the top, and is available in three different sizes. The polished bottom edge of the glass rests atop three brass risers.

Socket 120V E26 60W Max

LED bulb included

Available in three sizes

72"/1800mm black fabric-wrapped cord with in-line switch

All glass dimensions are approximate – handblown glass dimensions vary by nature and intent

Made in the Czech Republic

LT320WHT Small ○ White  
 LT321WHT Medium ○ White  
 LT322WHT Large ○ White

Metal finishes ● Dark Oxidized [DX]  
 ● Brushed Brass [BB]  
 ● Brushed Nickel [BN]  
 ○ Polished Nickel [PN]



twentieth

sales@twentieth.net

323.904.1200

www.twentieth.net

Copyright © May 2023 Sklo.com 100



Copyright © May 2023 Sklo.com 101

# SkLO

## Lasso 1.0

PENDANT

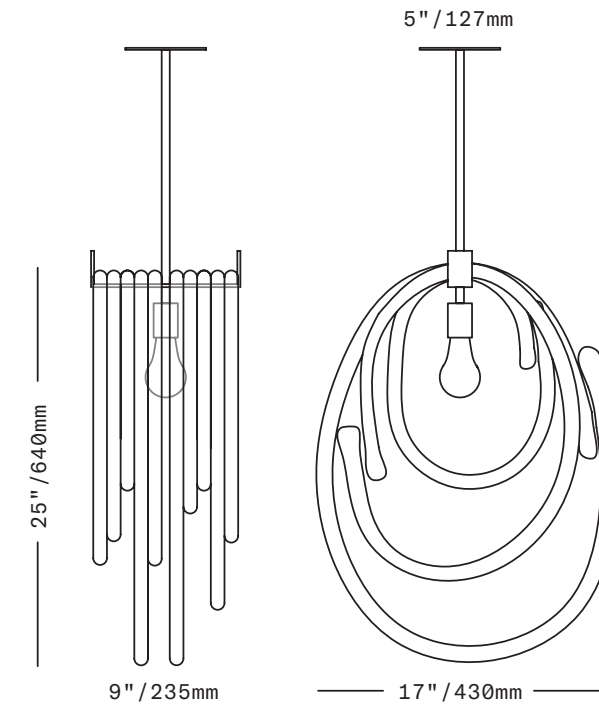


Lasso 1.0 Pendants with clear glass, brushed brass metal finish

# SkLO

## Lasso 1.0

PENDANT



Solid loops of handblown glass serve as a shade for this sculptural pendant. The glass loops come in different sizes, showcasing the amazing quality and clarity of the Czech glass. Each loop is made by hand, so each is unique and slightly different, lending the finished composition a very organic feel.

UL listed suitable for dry and damp locations (US & Canada)

Socket 120V E26 60W Max

LED bulb included

Requires recessed electrical box for installation

Does NOT accommodate sloped ceilings

Specify overall drop length – Rigid brass tube stems are not field adjustable

Minimum overall drop length: 36"/915mm

Lengths over 63"/1600mm available at additional cost

Fixture weight (approximate): 40lbs/18kg

All glass dimensions are approximate – handblown glass dimensions vary by nature and intent

Made in the Czech Republic

LT137 [---][--]

Lasso 1.0 Pendant

Glass colors

- Clear [CLR]
- White [WHT]

Metal finishes

- Dark Oxidized [DX]
- Brushed Brass [BB]
- Brushed Nickel [BN]
- Polished Nickel [PN]



twentieth

sales@twentieth.net

323.904.1200

www.twentieth.net

Copyright © May 2023 Sklo.com

102



Copyright © May 2023 Sklo.com

103



Private Residence  
Designer, @jamesthomasinteriors  
Photography, @trevortondro

twentieth

sales@twentieth.net

323.904.1200

www.twentieth.net

# SkLO

## Lasso 2.0

PENDANT

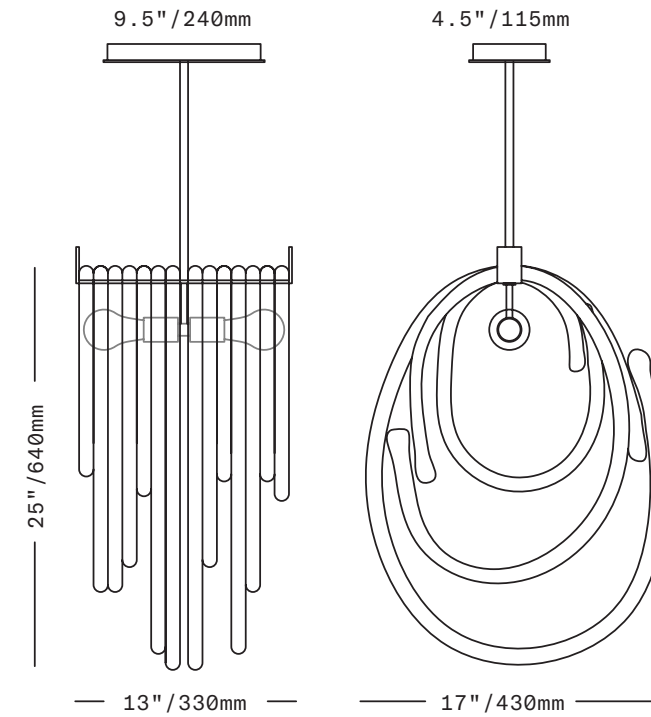


Lasso 2.0 Pendants with clear glass and polished nickel metal finish

# SkLO

## Lasso 2.0

PENDANT



Solid loops of handblown Czech glass serve as a shade for this sculptural pendant. The glass loops are a predetermined set of different sizes and sit atop a brass hook. Two sockets oriented horizontally, back-to-back, are positioned below the hook. Suspended on a rigid brass stem.

UL listed suitable for dry and damp locations (US & Canada)

Sockets 120V E26 60W Max

LED bulbs included

Requires recessed electrical box for installation

Does NOT accommodate sloped ceilings

Specify overall drop length – Rigid brass tube stems are not field adjustable

Minimum overall drop length: 37"/940mm

Lengths over 63"/1600mm available at additional cost

Fixture weight (approximate): 50lbs/23kg

All glass dimensions are approximate – handblown glass dimensions vary by nature and intent

Made in the Czech Republic

LT138 [---][--] Lasso 2.0 Pendant

Glass colors  Clear [CLR]  
 White [WHT]

Metal finishes  Dark Oxidized [DX]  
 Brushed Brass [BB]  
 Brushed Nickel [BN]  
 Polished Nickel [PN]



twentieth

sales@twentieth.net

323.904.1200

www.twentieth.net

Copyright © May 2023 Sklo.com

106



Copyright © May 2023 Sklo.com

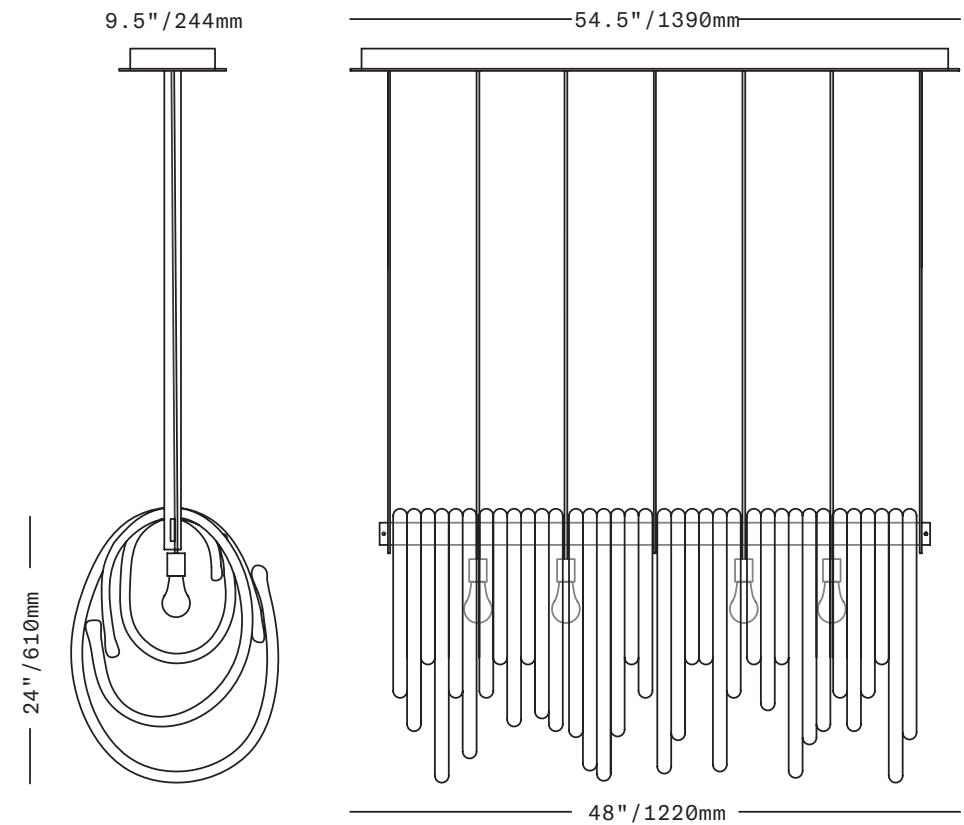
107

**SkLO**  
Lasso  
CHANDELIER



Lasso 48 Chandelier with white glass and dark oxidized metal finish

**SkLO**  
Lasso 48  
CHANDELIER



Large, linear light fixture featuring a long row of glass loops supported on a steel armature. The glass loops come in different sizes, showcasing the amazing quality and clarity of the Czech handblown glass. Each loop is made by hand, so each is unique and slightly different, lending the finished composition a very organic feel. Each socket hangs individually from the canopy on an exposed fabric-wrapped electrical cord and nestles within the glass loops.

UL listed suitable for dry locations only (US & Canada)

Sockets 120V E26 60W Max

LED bulbs included

Requires recessed electrical box for installation

Does NOT accommodate sloped ceilings

Specify overall drop length – not field adjustable

Fixture weight (approximate): 300lbs/136kg

Allow 12 weeks for delivery

All glass dimensions are approximate – handblown glass dimensions vary by nature and intent

Made in the Czech Republic

LT140 [---][--] Lasso 48 Chandelier

Glass colors ○ Clear [CLR]  
○ White [WHT]

Metal finishes ● Dark Oxidized [DX]  
● Brushed Nickel [BN]  
○ Polished Nickel [PN]



twentieth

sales@twentieth.net

323.904.1200

www.twentieth.net

Copyright © May 2023 Sklo.com

108



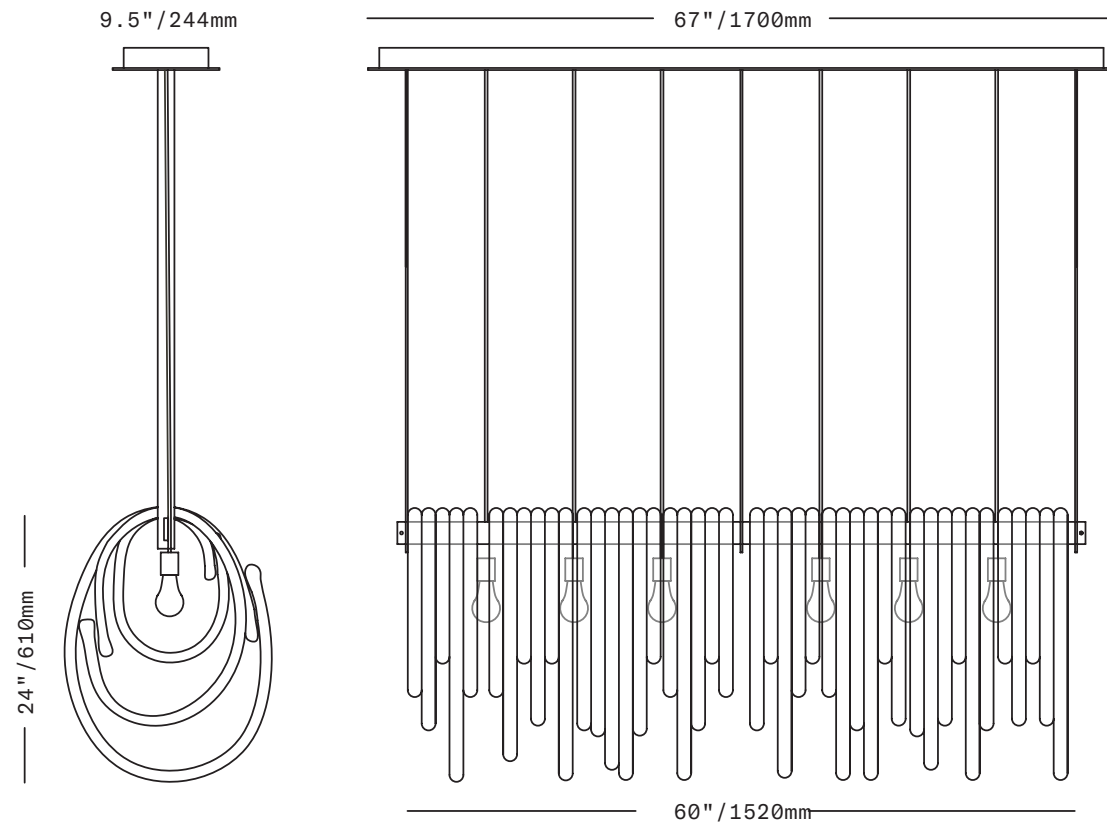
Copyright © May 2023 Sklo.com

109

# SkLO

## Lasso 60

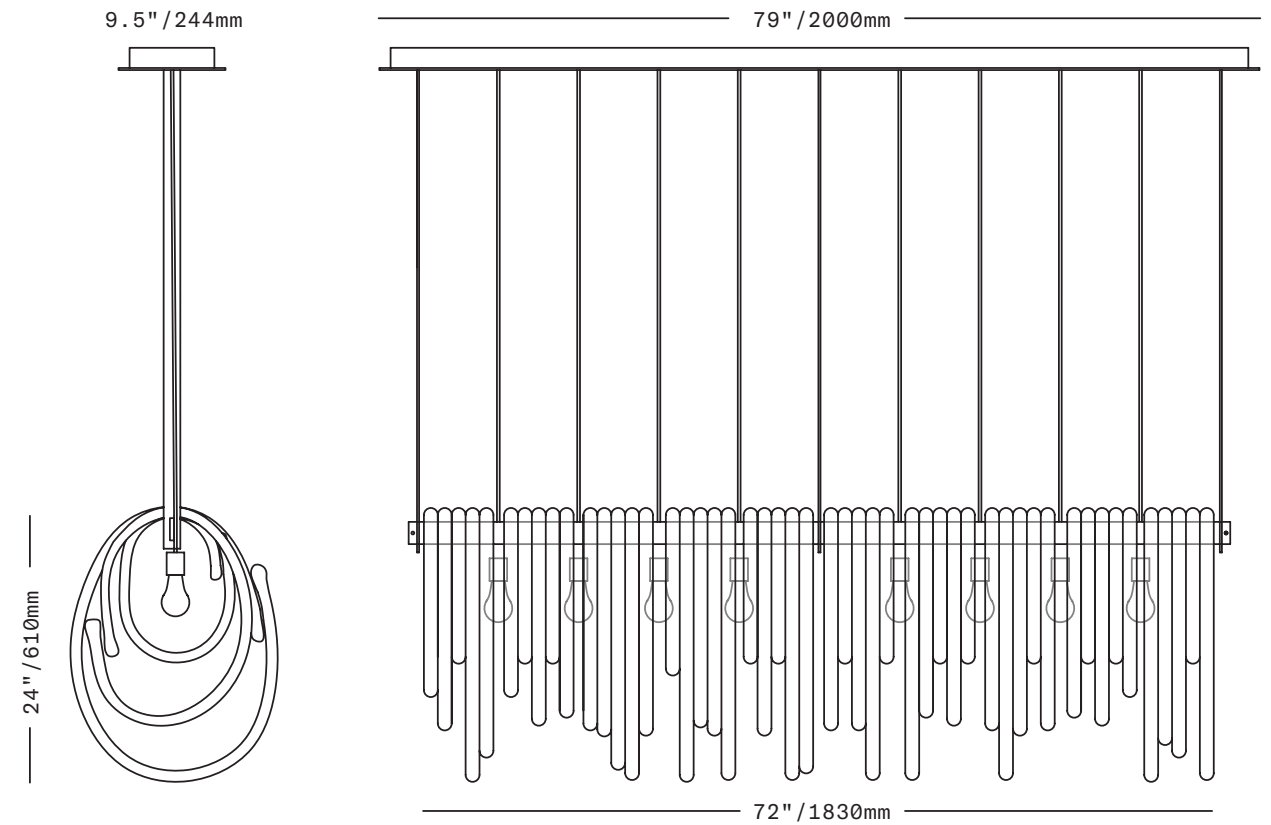
CHANDELIER



# SkLO

## Lasso 72

CHANDELIER



Large, linear light fixture featuring a long row of glass loops supported on a steel armature. The glass loops come in different sizes, showcasing the amazing quality and clarity of the Czech handblown glass. Each loop is made by hand, so each is unique and slightly different, lending the finished composition a very organic feel. Each socket hangs individually from the canopy on an exposed fabric-wrapped electrical cord and nestles within the glass loops.

UL listed suitable for dry locations only (US & Canada)

Sockets 120V E26 60W Max

LED bulbs included

Requires recessed electrical box for installation

Does NOT accommodate sloped ceilings

Specify overall drop length – not field adjustable

Fixture weight (approximate): 375lbs/170kg

Allow 12 weeks for delivery

All glass dimensions are approximate – handblown glass dimensions vary by nature and intent

Made in the Czech Republic

LT141 [---][--] Lasso 60 Chandelier

Glass colors  
 Clear [CLR]  
 White [WHT]

Metal finishes  
 Dark Oxidized [DX]  
 Brushed Nickel [BN]  
 Polished Nickel [PN]



Large, linear light fixture featuring a long row of glass loops supported on a steel armature. The glass loops come in different sizes, showcasing the amazing quality and clarity of the Czech handblown glass. Each loop is made by hand, so each is unique and slightly different, lending the finished composition a very organic feel. Each socket hangs individually from the canopy on an exposed fabric-wrapped electrical cord and nestles within the glass loops.

UL listed suitable for dry locations only (US & Canada)

Sockets 120V E26 60W Max

LED bulbs included

Requires recessed electrical box for installation

Does NOT accommodate sloped ceilings

Specify overall drop length – not field adjustable

Fixture weight (approximate): 450lbs/205kg

Allow 12 weeks for delivery

All glass dimensions are approximate – handblown glass dimensions vary by nature and intent

Made in the Czech Republic

LT142 [---][--] Lasso 72 Chandelier

Glass colors  
 Clear [CLR]  
 White [WHT]

Metal finishes  
 Dark Oxidized [DX]  
 Brushed Nickel [BN]  
 Polished Nickel [PN]



twentieth

sales@twentieth.net

323.904.1200

www.twentieth.net

Copyright © May 2023 Sklo.com

110



Copyright © May 2023 Sklo.com

111

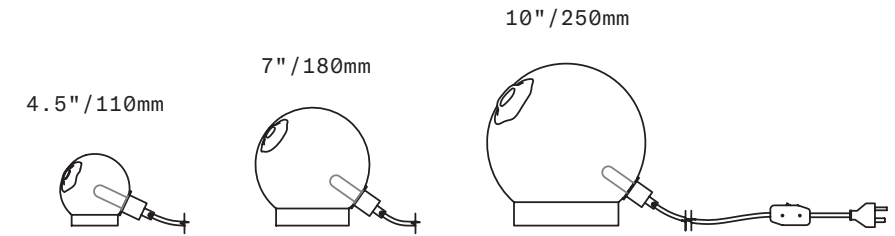


SkLO  
Once  
LIGHT



Once Light with 10"/250mm white glass, brushed brass metal finish, black cord

SkLO  
Once  
LIGHT



The Once Light is a single lit sphere of handblown Czech glass that rests atop a brass ring (included). Available in three sizes. The glass diffuser features the signature SkLO double-dipped, fire-polished mouths which show where the glass is broken from the blower's pipe, making each unique.

UL listed suitable for dry locations only (US & Canada)

Socket 120V G9 7W Max

LED bulb included

Available in three sizes

72"/1800mm black fabric-wrapped cord with in-line switch

All glass dimensions are approximate – handblown glass dimensions vary by nature and intent

Made in the Czech Republic

LT165 [---][--] 4.5"/110mm glass  
 LT166 [---][--] 7"/180mm glass  
 LT167 [---][--] 10"/250mm glass

Glass colors

- Clear [CLR]
- New Blue [NBL]
- Olivin [OLV]
- Smoke [SMK]
- White [WHT]

Metal finishes

- Dark Oxidized [DX]
- Brushed Brass [BB]
- Brushed Nickel [BN]
- Polished Nickel [PN]



twentieth

sales@twentieth.net

323.904.1200

www.twentieth.net

Copyright © May 2023 Sklo.com

112



Copyright © May 2023 Sklo.com

113

# SkLO

## Reflect

PENDANT

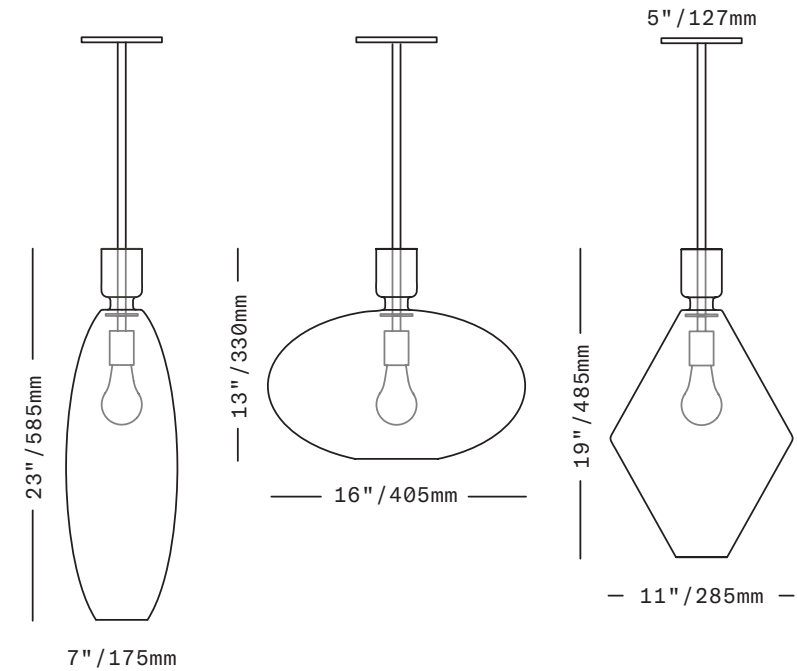


From left: shape 1, shape 2 and shape 3 Reflect Pendant with brushed brass metal finish

# SkLO

## Reflect

PENDANT



Reflect Pendants are a series of mirror-plated glass pendants in different geometric shapes suspended on rigid brass stems. The glass is mirrored using a unique process that produces an opaque mirror appearance when the light is off but allows light to pass through when on. Each shape has an open mouth at the bottom, the hole ground, and polished. The glass sits on a rest at the end of the stem and lifts to expose the socket for changing the bulb.

UL listed suitable for dry and damp locations (US & Canada)

Socket 120V E26 60W Max

LED bulb included

Available in three different shapes

Requires recessed electrical box for installation

Standard canopy does NOT accommodate sloped ceilings or swagging of this light – other canopy options are available at additional cost – see Canopy Variants specification sheet

Specify overall drop length – Rigid brass tube stems are not field adjustable

Minimum overall drop lengths: 31"/790mm (LT370)  
21"/535mm (LT371)  
27"/685mm (LT372)

Lengths over the below available at additional cost:  
56"/1420mm (LT370)  
46"/1170mm (LT371)  
52"/1320mm (LT372)

Fixture weight (approximate): 15lbs/7kg

All glass dimensions are approximate – handblown glass dimensions vary by nature and intent

Made in the Czech Republic

LT370SLV [-] Shape 1 ● Silver Mirror  
LT371SLV [-] Shape 2 ● Silver Mirror  
LT372SLV [-] Shape 3 ● Silver Mirror

Metal finishes ● Dark Oxidized [DX]  
● Brushed Brass [BB]  
● Brushed Nickel [BN]  
○ Polished Nickel [PN]



twentieth

sales@twentieth.net

323.904.1200

www.twentieth.net

Copyright © May 2023 Sklo.com

114



Copyright © May 2023 Sklo.com

115

# SkLO

## Stem 1X

PENDANT

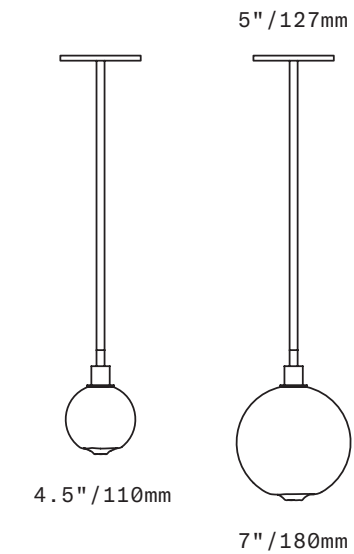


Stem 1X Pendant with 4.5"/110mm white glass and brushed brass metal finish

# SkLO

## Stem 1X

PENDANT



The Stem 1X Pendants are minimal pendants of lit spheres of handblown Czech glass suspended on rigid brass stems. The glass diffuser features the signature SkLO double-dipped, fire-polished mouths which show where the glass is broken from the blower's pipe, making each unique.

UL listed suitable for dry and damp locations (US & Canada)

Socket 120V G9 7W Max

LED bulb included

Glass available in two sizes

Requires recessed electrical box for installation

Standard canopy does NOT accommodate sloped ceilings or swagging of this light – other canopy options are available at additional cost – see Canopy Variants specification sheet

Specify overall drop length – Rigid brass tube stems are not field adjustable

Minimum overall drop lengths: 18"/460mm (LT310)  
20.5"/520mm (LT312)

Lengths over the below available at additional cost:  
43"/1100mm (LT310)  
46"/1170mm (LT312)

Fixture weights (approximate): 3.5lbs/1.5kg (LT310)  
5lbs/2.25kg (LT312)

All glass dimensions are approximate – handblown glass dimensions vary by nature and intent

Made in the Czech Republic

LT310 [---][--]  
LT312 [---][--]

Glass colors

- Clear [CLR]
- New Blue [NBL]
- Olivin [OLV]
- Smoke [SMK]
- White [WHT]

Metal finishes

- Dark Oxidized [DX]
- Brushed Brass [BB]
- Brushed Nickel [BN]
- Polished Nickel [PN]



twentieth

sales@twentieth.net

323.904.1200

www.twentieth.net

Copyright © May 2023 Sklo.com

116



Copyright © May 2023 Sklo.com

117

# SkLO

## Stem 2X

PENDANT

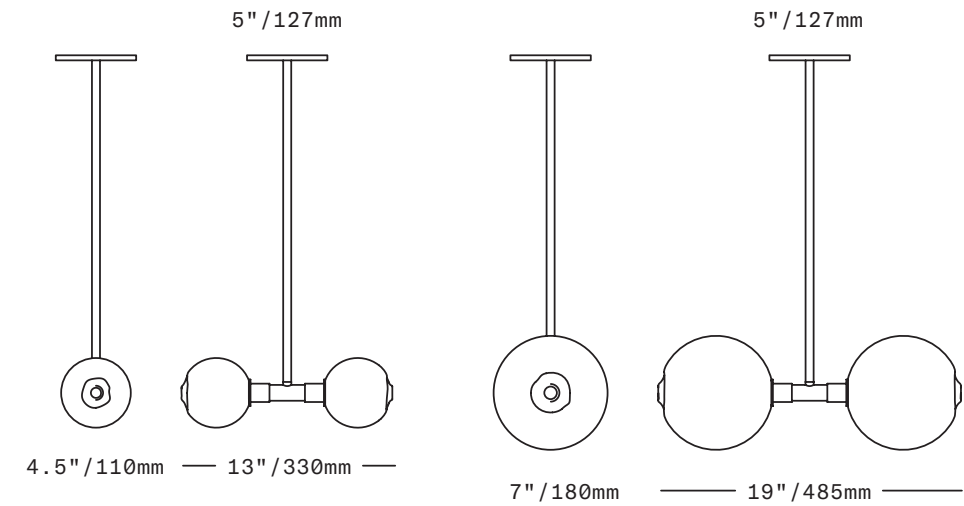


Stem 2X Pendant with 4.5"/110mm white glass and brushed brass metal finish

# SkLO

## Stem 2X

PENDANT



The Stem 2X Pendants are minimal pendants consisting of a pair of lit spheres of handblown Czech glass suspended on rigid brass stems. The glass diffusers feature the signature SkLO double-dipped, fire-polished mouths which show where the glass is broken from the blower's pipe, making each unique.

UL listed suitable for dry and damp locations (US & Canada)

Sockets 120V G9 7W Max

LED bulbs included

Glass available in two sizes

Requires recessed electrical box for installation

Standard canopy does NOT accommodate sloped ceilings or swagging of this light – other canopy options are available at additional cost – see Canopy Variants specification sheet

Specify overall drop length – Rigid brass tube stems are not field adjustable

Minimum overall drop lengths: 15"/380mm (LT311)  
17"/430mm (LT314)

Lengths over the below available at additional cost:  
40"/1020mm (LT311)  
40"/1020mm (LT314)

Fixture weights (approximate): 6lbs/2.75kg (LT311)  
9lbs/4kg (LT314)

All glass dimensions are approximate – handblown glass dimensions vary by nature and intent

Made in the Czech Republic

LT311 [---][--] 4.5"/110mm glass  
LT314 [---][--] 7"/180mm glass

Glass colors

- Clear [CLR]
- New Blue [NBL]
- Olivin [OLV]
- Smoke [SMK]
- White [WHT]

Metal finishes

- Dark Oxidized [DX]
- Brushed Brass [BB]
- Brushed Nickel [BN]
- Polished Nickel [PN]



twentieth

sales@twentieth.net

323.904.1200

www.twentieth.net

Copyright © May 2023 Sklo.com

118



Copyright © May 2023 Sklo.com

119

# SkLO

## Stem 3x

PENDANT

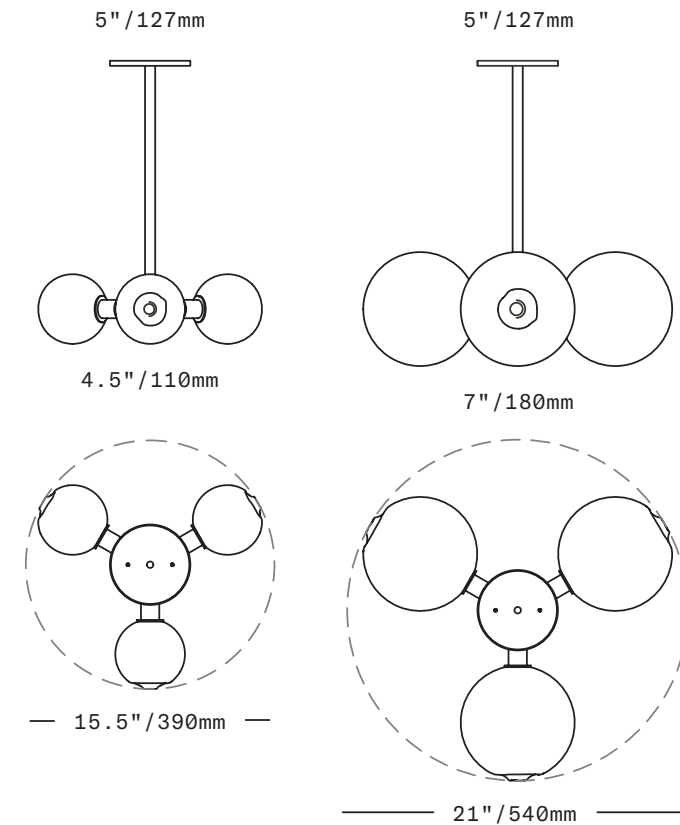


Stem 3X Pendant with 7"/180mm white glass and brushed brass metal finish

# SkLO

## Stem 3x

PENDANT



The Stem 3X Pendants are minimal pendants of 3 lit spheres of Czech handblown glass mounted on a 3-arm horizontal armature and suspended on rigid brass stems. The glass diffusers feature the signature SkLO double-dipped, fire-polished mouths which show where the glass is broken from the blower's pipe, making each unique.

UL listed suitable for dry and damp locations (US & Canada)

Sockets 120V G9 7W Max

LED bulbs included

Glass available in two sizes

Requires recessed electrical box for installation

Standard canopy does NOT accommodate sloped ceilings or swagging of this light – other canopy options are available at additional cost – see Canopy Variants specification sheet

Specify overall drop length – Rigid brass tube stems are not field adjustable

Minimum overall drop lengths: 15"/380mm (LT383)  
17"/430mm (LT384)

Lengths over the below available at additional cost:  
50"/1270mm (LT383)  
50"/1270mm (LT384)

Fixture weights (approximate): 9lbs/4kg (LT383)  
14lbs/6.5kg (LT384)

All glass dimensions are approximate – handblown glass dimensions vary by nature and intent

Made in the Czech Republic

LT383 [---][--] 4.5"/110mm glass  
LT384 [---][--] 7"/180mm glass

Glass colors

- Clear [CLR]
- New Blue [NBL]
- Olivin [OLV]
- Smoke [SMK]
- White [WHT]

Metal finishes

- Dark Oxidized [DX]
- Brushed Brass [BB]
- Brushed Nickel [BN]
- Polished Nickel [PN]



twentieth

sales@twentieth.net

323.904.1200

www.twentieth.net

Copyright © May 2023 Sklo.com

120



Copyright © May 2023 Sklo.com

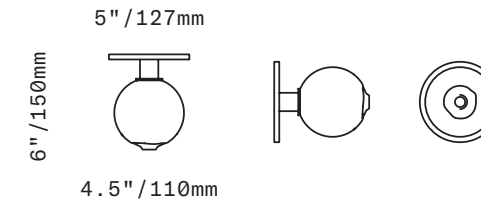
121

**SkLO**  
Stem 1X  
SCONCE / CEILING



Stem 1X Sconce/Ceiling with clear glass and brushed brass metal finish

**SkLO**  
Stem 1X  
SCONCE / CEILING



The Stem 1X Sconce/Ceiling is a minimal light suitable for use as a ceiling light or wall light. It consists of a single sphere of handblown Czech glass on a simple brass socket and canopy. The glass diffuser features the signature SkLO double-dipped, fire-polished mouths which show where the glass is broken from the blower's pipe, making each unique.

UL listed suitable for dry and damp locations (US & Canada)

Socket 120V G9 7W Max

LED bulb included

Requires recessed electrical box for installation

Fixture weight (approximate): 3lbs/1.5kg

All glass dimensions are approximate – handblown glass dimensions vary by nature and intent

Made in the Czech Republic

LT271 [---][--]

Glass colors

Stem 1X Sconce/Ceiling

- Clear [CLR]
- New Blue [NBL]
- Olivin [OLV]
- Smoke [SMK]
- White [WHT]

Metal finishes

- Dark Oxidized [DX]
- Brushed Brass [BB]
- Brushed Nickel [BN]
- Polished Nickel [PN]



twentieth

sales@twentieth.net

323.904.1200

www.twentieth.net

Copyright © May 2023 Sklo.com

122



Copyright © May 2023 Sklo.com

123

# SkLO

## Stem 2X

SCONCE / CEILING

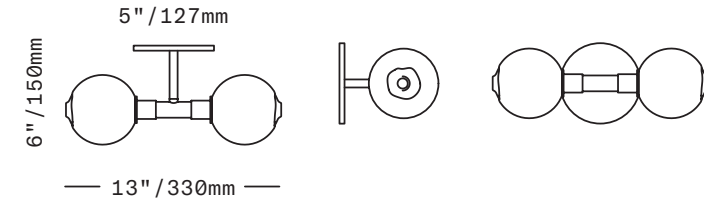


Stem 2X Sconce/Ceiling with white glass and brushed brass metal finish

# SkLO

## Stem 2X

SCONCE / CEILING



The Stem 2X Sconce/Ceiling is a minimal light consisting of a pair of lit spheres of handblown Czech glass on a simple symmetrical brass armature. Suitable for use as a ceiling light or as a wall light. The glass diffusers feature the signature SkLO double-dipped, fire-polished mouths which show where the glass is broken from the blower's pipe, making each unique.

UL listed suitable for dry and damp locations (US & Canada)

Sockets 120V G9 7W Max

LED bulbs included

Requires recessed electrical box for installation

Fixture weight (approximate): 6lbs/2.75kg

All glass dimensions are approximate – handblown glass dimensions vary by nature and intent

Made in the Czech Republic

LT270 [---][--] Stem 2X Sconce/Ceiling

Glass colors

- Clear [CLR]
- New Blue [NBL]
- Olivin [OLV]
- Smoke [SMK]
- White [WHT]

Metal finishes

- Dark Oxidized [DX]
- Brushed Brass [BB]
- Brushed Nickel [BN]
- Polished Nickel [PN]



twentieth

sales@twentieth.net

323.904.1200

www.twentieth.net

Copyright © May 2023 Sklo.com

124



Copyright © May 2023 Sklo.com

125

# SkLO

## Stem 3x

SCONCE / CEILING

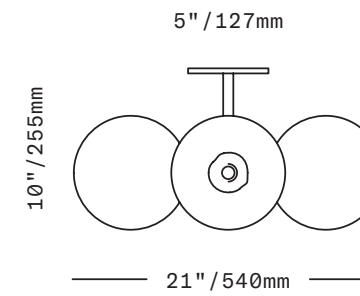
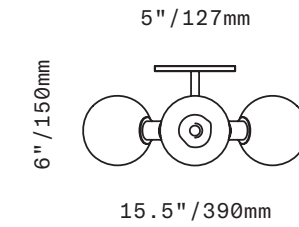
# SkLO

## Stem 3x

SCONCE / CEILING



Stem 3X Sconce/Ceiling with 4.5"/110mm new blue glass and dark oxidized metal finish



The Stem 3X Sconce/Ceiling is a minimal light consisting of 3 lit spheres of handblown Czech glass on a 3-arm brass structure. Suitable for use as a ceiling light or as a wall light. The glass diffusers feature the signature SkLO double-dipped, fire-polished mouths which show where the glass is broken from the blower's pipe, making each unique.

UL listed suitable for dry and damp locations (US & Canada)

Sockets 120V G9 7W Max

LED bulbs included

Glass available in two sizes

Requires recessed electrical box for installation

Fixture weights (approximate): 9lbs/4kg (LT381)  
13.5lbs/6kg (LT382)

All glass dimensions are approximate – handblown glass dimensions vary by nature and intent

Made in the Czech Republic

LT381 [---][--] 4.5"/110mm glass  
LT382 [---][--] 7"/180mm glass

- Glass colors
- Clear [CLR]
  - New Blue [NBL]
  - Olivin [OLV]
  - Smoke [SMK]
  - White [WHT]
- Metal finishes
- Dark Oxidized [DX]
  - Brushed Brass [BB]
  - Brushed Nickel [BN]
  - Polished Nickel [PN]



twentieth

sales@twentieth.net

323.904.1200

www.twentieth.net

Copyright © May 2023 Sklo.com

126



Copyright © May 2023 Sklo.com

127

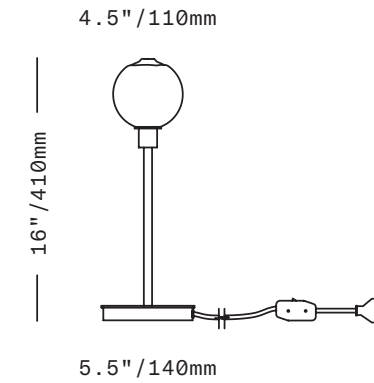


**SkLO**  
Stem 1X  
TABLE LIGHT



Stem 1X Table Light with olivin glass and brushed brass metal finish

**SkLO**  
Stem 1X  
TABLE LIGHT



The Stem 1X Table Light is a minimal design featuring a single lit sphere of handblown Czech glass on a brass stem and base. The glass diffuser features the signature SkLO double-dipped, fire-polished mouths which show where the glass is broken from the blower's pipe, making each unique.

UL listed suitable for dry locations only (US & Canada)

Socket 120V G9 7W Max

LED bulb included

72"/1800mm black fabric-wrapped cord with in-line switch

All glass dimensions are approximate – handblown glass dimensions vary by nature and intent

Made in the Czech Republic

LT272 [---][--]

Stem 1X Table Light

Glass colors

- Clear [CLR]
- New Blue [NBL]
- Olivin [OLV]
- Smoke [SMK]
- White [WHT]

Metal finishes

- Dark Oxidized [DX]
- Brushed Brass [BB]
- Brushed Nickel [BN]
- Polished Nickel [PN]



twentieth

sales@twentieth.net

323.904.1200

www.twentieth.net

Copyright © May 2023 Sklo.com

128



Copyright © May 2023 Sklo.com

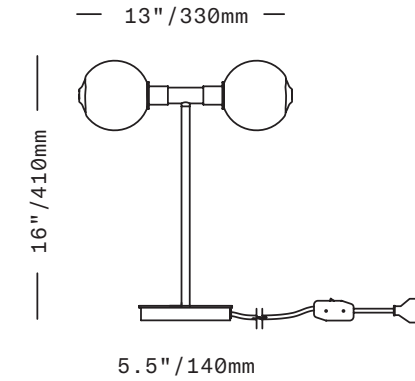
129

**SkLO**  
Stem 2X  
TABLE LIGHT



Stem 2X Table Light with white glass and brushed brass metal finish

**SkLO**  
Stem 2X  
TABLE LIGHT



The Stem 2X Table Light is a minimal design consisting of a pair of lit spheres of handblown Czech glass on a symmetrical armature atop a brass stem and base. The glass diffuser features the signature SkLO double-dipped, fire-polished mouths which show where the glass is broken from the blower's pipe, making each unique.

UL listed suitable for dry locations only (US & Canada)

Sockets 120V G9 7W Max

LED bulbs included

72"/1800mm black fabric-wrapped cord with in-line switch

All glass dimensions are approximate – handblown glass dimensions vary by nature and intent

Made in the Czech Republic

LT273 [---][--]

Stem 2X Table Light

Glass colors

- Clear [CLR]
- New Blue [NBL]
- Olivin [OLV]
- Smoke [SMK]
- White [WHT]

Metal finishes

- Dark Oxidized [DX]
- Brushed Brass [BB]
- Brushed Nickel [BN]
- Polished Nickel [PN]



twentieth

sales@twentieth.net

323.904.1200

www.twentieth.net

Copyright © May 2023 Sklo.com

130



Copyright © May 2023 Sklo.com

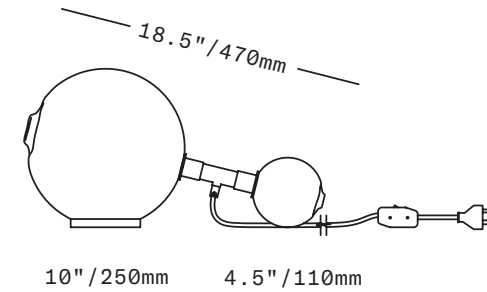
131

**SkLO**  
Twice  
LIGHT



Twice Light with white glass and brushed brass metal finish

**SkLO**  
Twice  
LIGHT



The Twice Light consists of two lit spheres of handblown Czech glass connected by a cylindrical brass armature. Two different diameter spheres make for an asymmetrical light. A brass ring is included with the light and used under the larger sphere to stabilize the light. The glass diffusers feature the signature SkLO double-dipped, fire-polished mouths which show where the glass is broken from the blower's pipe, making each unique.

UL listed suitable for dry locations only (US & Canada)

Sockets 120V G9 7W Max

LED bulbs included

72"/1800mm black fabric-wrapped cord with in-line switch

All glass dimensions are approximate – handblown glass dimensions vary by nature and intent

Made in the Czech Republic

LT190 [---][---]

Twice Light

Glass colors

- Smoke Palette [PSM]
- White [WHT]

Metal finishes

- Dark Oxidized [DX]
- Brushed Brass [BB]
- Brushed Nickel [BN]
- Polished Nickel [PN]



twentieth

sales@twentieth.net

323.904.1200

www.twentieth.net

Copyright © May 2023 Sklo.com

132



Copyright © May 2023 Sklo.com

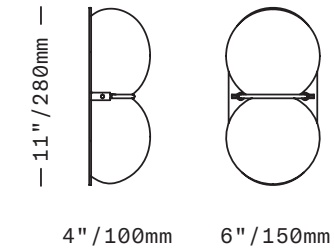
133

**SkLO**  
Twin 1.0  
SCONCE



Twin 1.0 Sconce with white palette glass and dark oxidized metal finish

**SkLO**  
Twin 1.0  
SCONCE



The Twin 1.0 Sconce features a two-tone diffuser of handblown Czech glass made up of two flattened spherical shapes in two colors which are melded together while hot on the glass blowing pipe. The glass is held to a solid brass plate canopy by a brass band that sits between the two spheres. Each sphere is lit from within by its bulb, one in each sphere. The Twin 1.0 sconce is designed to meet ADA requirements in the USA for commercial use in public spaces by always measuring less than 4" total depth from a wall surface. For wall use only – for ceiling applications see the Twin 2.0 Sconce/Ceiling Light. It is strongly recommended that the Twin 1.0 Sconce only be installed in the vertical orientation as shown.

UL listed suitable for dry and damp locations (US & Canada)

Sockets 120V E12 7W Max

LED bulbs included

Requires recessed electrical box for installation

Fixture weight (approximate): 6lbs/2.75kg

All glass dimensions are approximate – handblown glass dimensions vary by nature and intent

Made in the Czech Republic

- LTM06 [---][--] Twin 1.0 Sconce
- Glass colors
- Blue Palette [PBL]
  - Mint Green Palette [MGR]
  - Oyster Palette [OST]
  - Pastel Pink Palette [PPK]
  - White Palette [WHT]
- Metal finishes
- Dark Oxidized [DX]
  - Brushed Brass [BB]
  - Brushed Nickel [BN]
  - Polished Nickel [PN]



twentieth

sales@twentieth.net

323.904.1200

www.twentieth.net

Copyright © May 2023 Sklo.com

134



Copyright © May 2023 Sklo.com

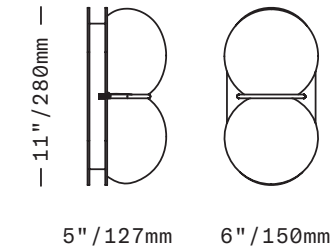
135

**SkLO**  
Twin 2.0  
SCONCE / CEILING



Twin 2.0 Sconce/Ceiling with white palette glass and brushed brass metal finish

**SkLO**  
Twin 2.0  
SCONCE / CEILING



The Twin 2.0 Sconce/Ceiling features a two-tone diffuser of handblown Czech glass made up of two flattened spherical shapes in two colors which are melded together while hot on the glass blowing pipe. The glass is held to a solid brass canopy by a brass band that sits between the two spheres. Each sphere is lit from within by its bulb, one in each sphere.

UL listed suitable for dry and damp locations (US & Canada)

Sockets 120V E12 7W Max

LED bulbs included

Requires recessed electrical box for installation

Fixture weight (approximate): 10lbs/4.5kg

All glass dimensions are approximate – handblown glass dimensions vary by nature and intent

Made in the Czech Republic

LTM08 [---][--] Twin 2.0 Sconce/Ceiling

Glass colors

- Blue Palette [PBL]
- Mint Green Palette [MGR]
- Oyster Palette [OST]
- Pastel Pink Palette [PPK]
- White Palette [WHT]

Metal finishes

- Dark Oxidized [DX]
- Brushed Brass [BB]
- Brushed Nickel [BN]
- Polished Nickel [PN]



twentieth

sales@twentieth.net

323.904.1200

www.twentieth.net

Copyright © May 2023 Sklo.com

136



Copyright © May 2023 Sklo.com

137

# SkLO

## Twin 3.0

PENDANT

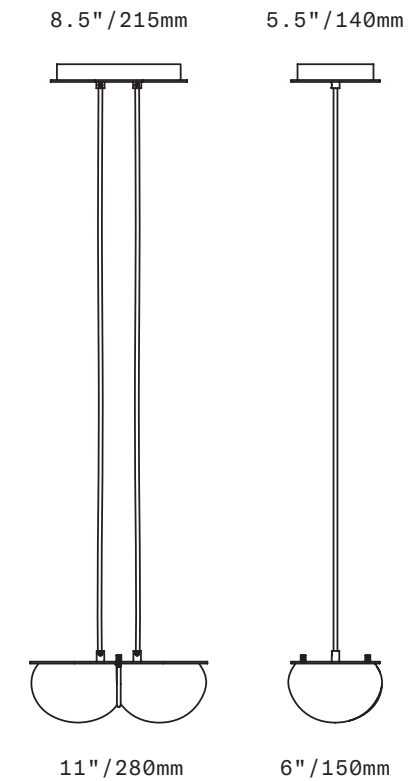


Twin 3.0 Pendant with oyster palette glass, brushed brass metal finish, black cord

# SkLO

## Twin 3.0

PENDANT



A two-tone diffuser of handblown Czech glass made up of two flattened spherical shapes in two colors which are melded together while hot on the glass blower's pipe. The glass is held to a solid brass canopy by a brass band that sits at the "waist" between the two spheres. Each sphere is lit from within by its own bulb, one in each sphere. Suspended on two fabric-wrapped electrical cords from a canopy whose shape mimics the geometry of the pendant itself.

UL listed suitable for dry and damp locations (US & Canada)

Sockets 120V E12 7W Max

LED bulbs included

Accommodates sloped ceilings

Standard cord length 72"/1800mm – field adjustable – longer lengths available at additional cost

Fixture weight (approximate): 10lbs/4.5kg

All glass dimensions are approximate – handblown glass dimensions vary by nature and intent

Made in the Czech Republic

LTM09 [---][--] Twin 3.0 Pendant

Glass colors

- Blue Palette [PBL]
- Mint Green Palette [MGR]
- Oyster Palette [OST]
- Pastel Pink Palette [PPK]
- White Palette [WHT]

Metal finishes

- Dark Oxidized [DX]
- Brushed Brass [BB]
- Brushed Nickel [BN]
- Polished Nickel [PN]

Cord Colors

- Black
- Blue
- Gold
- Gray



twentieth

sales@twentieth.net

323.904.1200

www.twentieth.net

Copyright © May 2023 Sklo.com

138



Copyright © May 2023 Sklo.com

139

# SkLO

## Twin 4.0

PENDANT

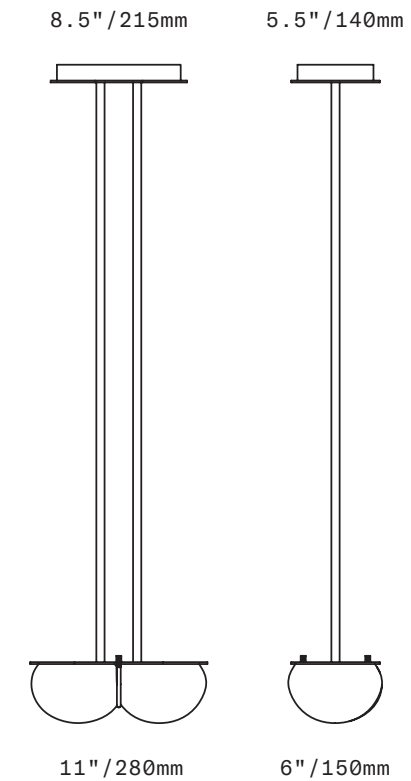


Twin 4.0 Pendant with mint green palette glass and brushed brass metal finish

# SkLO

## Twin 4.0

PENDANT



A two-tone diffuser of handblown Czech glass made up of two flattened spherical shapes in two colors which are melded together while hot on the glass blower's pipe. The glass is held to a solid brass canopy by a brass band that sits at the "waist" between the two spheres. Each sphere is lit from within by its own bulb, one in each sphere. Suspended on two rigid brass tube stems from a canopy whose shape mimics the geometry of the pendant itself.

UL listed suitable for dry and damp locations (US & Canada)

Sockets 120V E12 7W Max

LED bulbs included

Requires recessed electrical box for installation

Does not accommodate sloped ceilings

Specify overall drop length – Rigid brass tube stems are not field adjustable

Minimum overall drop length: 10"/255mm

Lengths over 41"/1040mm available at additional cost

Fixture weight (approximate): 12lbs/5.5kg

All glass dimensions are approximate – handblown glass dimensions vary by nature and intent

Made in the Czech Republic

- LTM10 [---][--]
- Twin 4.0 Pendant
- Glass colors
- Blue Palette [PBL]
  - Mint Green Palette [MGR]
  - Oyster Palette [OST]
  - Pastel Pink Palette [PPK]
  - White Palette [WHT]
- Metal finishes
- Dark Oxidized [DX]
  - Brushed Brass [BB]
  - Brushed Nickel [BN]
  - Polished Nickel [PN]



twentieth

sales@twentieth.net

323.904.1200

www.twentieth.net

Copyright © May 2023 Sklo.com

140



Copyright © May 2023 Sklo.com

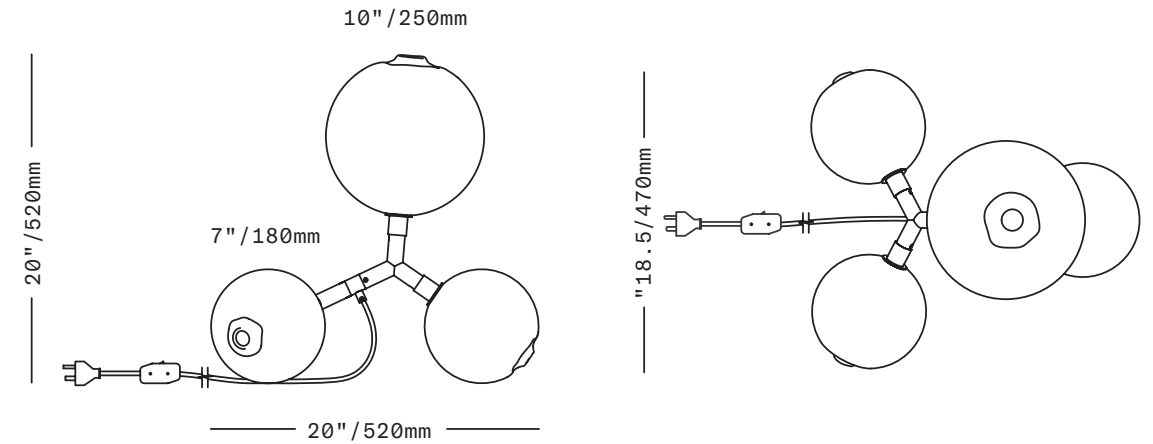
141

**SkLO**  
Veer  
LIGHT



Veer Light with white glass and brushed brass metal finish

**SkLO**  
Veer  
LIGHT



The Veer Light consists of four lit spheres of handblown Czech glass on a brass armature. Three of the spheres are 7" (180mm) in diameter, and the fourth is 10" (250mm) in diameter. The glass diffusers feature the signature SkLO double-dipped, fire-polished mouths which show where the glass is broken from the blower's pipe, making each unique.

UL listed suitable for dry locations only (US & Canada)

Sockets 120V G9 7W Max

LED bulbs included

72"/1800mm black fabric-wrapped cord with in-line switch

All glass dimensions are approximate – handblown glass dimensions vary by nature and intent

Made in the Czech Republic

LT380WHT Veer Light ○ White

- Metal finishes
- Dark Oxidized [DX]
  - Brushed Brass [BB]
  - Brushed Nickel [BN]
  - Polished Nickel [PN]



twentieth

sales@twentieth.net

323.904.1200

www.twentieth.net

Copyright © May 2023 Sklo.com

142



Copyright © May 2023 Sklo.com

143



# SkLO

Veer

PENDANT

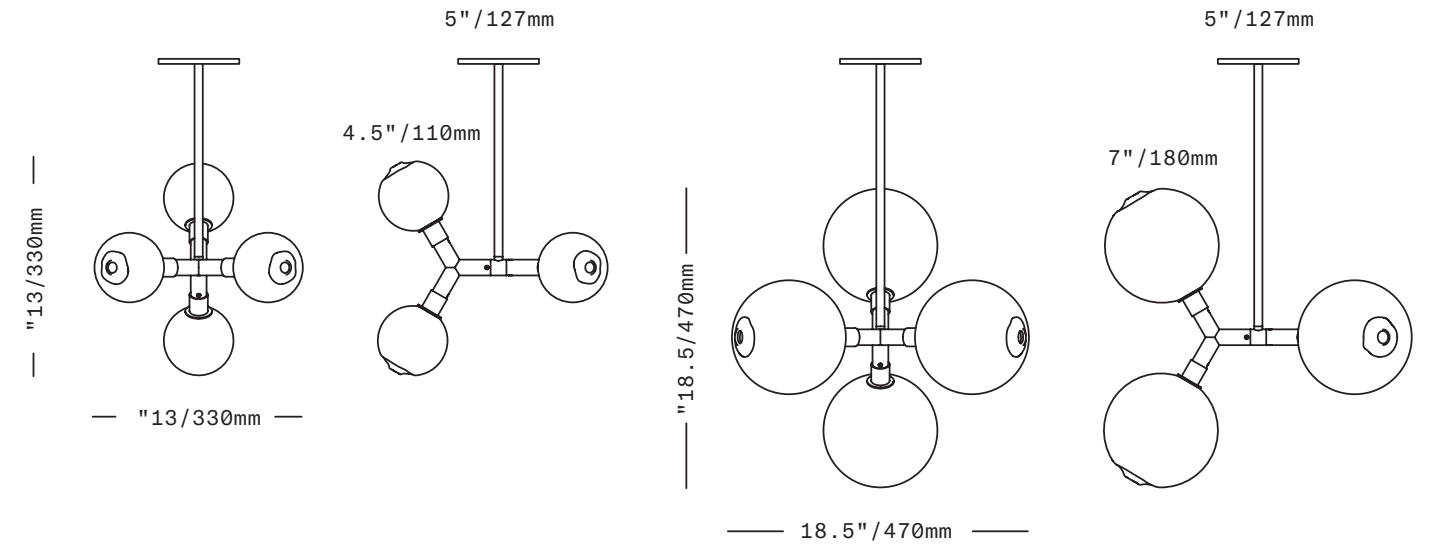


Veer Pendant with 7"/180mm white glass and brushed brass metal finish

# SkLO

Veer

PENDANT



The Veer Pendant consists of 4 lit spheres of handblown Czech glass mounted on a 4-arm brass structure and suspended on a rigid brass stem. The glass is available in two sizes. The glass diffusers feature the signature SkLO double-dipped, fire-polished mouths which show where the glass is broken from the blower's pipe, making each unique.

UL listed suitable for dry and damp locations (US & Canada)

Sockets 120V G9 7W Max

LED bulbs included

Glass available in two sizes

Requires recessed electrical box for installation

Standard canopy does NOT accommodate sloped ceilings or swagging of this light – other canopy options are available at additional cost – see Canopy Variants specification sheet

Specify overall drop length – Rigid brass tube stems are not field adjustable

Minimum overall drop lengths: 21"/535mm (LT385)  
24"/610mm (LT386)

Lengths over the below available at additional cost:  
50"/1270mm (LT385)  
50"/1270mm (LT386)

Fixture weights (approximate): 15lbs/7kg (LT385)  
20lbs/9kg (LT386)

All glass dimensions are approximate – handblown glass dimensions vary by nature and intent

Made in the Czech Republic

LT385 [---][--] 4.5"/110mm glass  
LT386 [---][--] 7"/180mm glass

Glass colors

- Clear [CLR]
- New Blue [NBL]
- Olivin [OLV]
- Smoke [SMK]
- White [WHT]

Metal finishes

- Dark Oxidized [DX]
- Brushed Brass [BB]
- Brushed Nickel [BN]
- Polished Nickel [PN]



twentieth

sales@twentieth.net

323.904.1200

www.twentieth.net

Copyright © May 2023 Sklo.com

144



Copyright © May 2023 Sklo.com

145



twentieth

[sales@twentieth.net](mailto:sales@twentieth.net)

323.904.1200

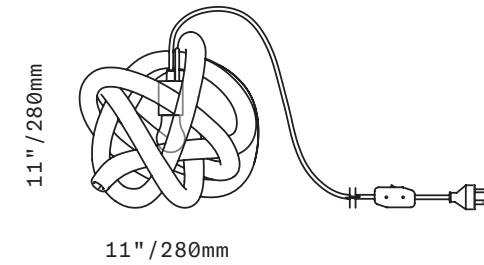
[www.twentieth.net](http://www.twentieth.net)

**SkLO**  
Wrap  
LIGHT



Wrap Light with white glass and brushed brass metal finish

**SkLO**  
Wrap  
LIGHT



Our signature SkLO Large Wrap, a continuous wound length of a handblown Czech glass tube, is transformed into a dynamic table light. The brass light socket has an integral handmade brass hook that allows it to attach to the glass wrap, suspending the bulb within. Each wrap is unique, no two exactly alike.

Socket 120V E26 60W Max

LED bulb included

72"/1800mm black fabric-wrapped cord with in-line switch

All glass dimensions are approximate – handblown glass dimensions vary by nature and intent

Made in the Czech Republic

LT125 [- -] [- -]

Glass colors

Wrap Light

- Amber [AMB]
- Clear [CLR]
- Gray [GRY]
- New Blue [NBL]
- Silver Mirror [SLV]
- Smoke [SMK]
- Steel Blue [SBL]
- White [WHT]

Metal finishes

- Dark Oxidized [DX]
- Brushed Brass [BB]
- Brushed Nickel [BN]
- Polished Nickel [PN]



twentieth

sales@twentieth.net

323.904.1200

www.twentieth.net

Copyright © May 2023 Sklo.com

148



Copyright © May 2023 Sklo.com

149

# SkLO

## Wrap

PENDANT

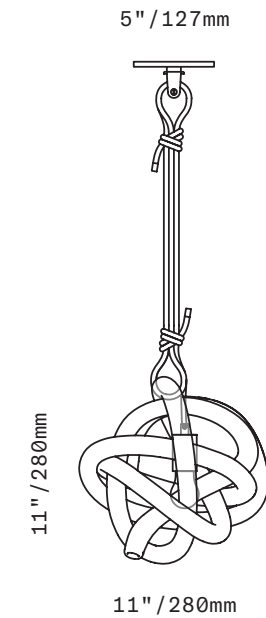


Wrap Pendant with smoke glass, dark oxidized metal finish, black cord

# SkLO

## Wrap

PENDANT



Our signature SkLO Large Wrap, a continuous wound length of a handblown Czech glass tube, is transformed into a pendant. Suspended on a hand-tied length of fabric-wrapped electrical cord. The socket is also suspended on a matching intertwined length of fabric-wrapped electrical cord and allows the light bulb to be nestled within the glass element.

UL listed suitable for dry and damp locations (US & Canada)

Socket 120V E26 60W Max

LED bulb included

Requires recessed electrical box for installation

Accommodates sloped ceilings

Specify overall drop length – not field adjustable

Minimum overall drop length: 26"/660mm

Lengths over 48"/1220mm available at additional cost

Fixture weight (approximate): 7lbs/3kg

All glass dimensions are approximate – handblown glass dimensions vary by nature and intent

Made in the Czech Republic

LT120 [---][--]

Wrap Pendant

Glass colors

- Amber [AMB]
- Clear [CLR]
- Gray [GRY]
- New Blue [NBL]
- Silver Mirror [SLV]
- Smoke [SMK]
- Steel Blue [SBL]
- White [WHT]

Metal finishes

- Dark Oxidized [DX]
- Brushed Brass [BB]
- Brushed Nickel [BN]
- Polished Nickel [PN]

Cord Colors

- Black
- Blue
- Gold
- Gray



twentieth

sales@twentieth.net

323.904.1200

www.twentieth.net

Copyright © May 2023 Sklo.com

150



Copyright © May 2023 Sklo.com

151



twentieth

sales@twentieth.net 323.904.1200 www.twentieth.net

# SkLO

## Wrap Pin 1.09

PENDANT

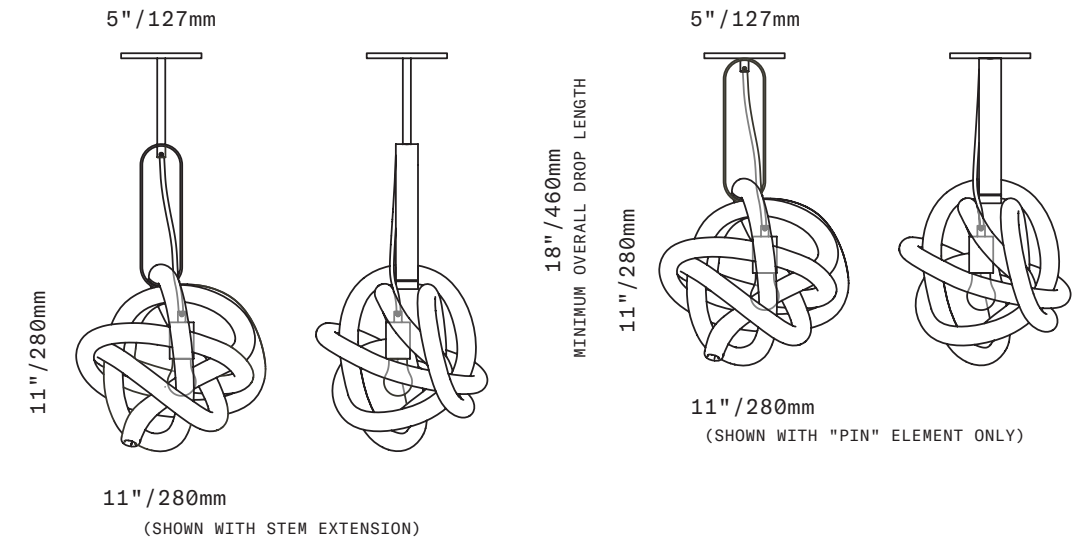


Wrap Pin 1.09 and Wrap Pin 1.21 Pendants with white glass, brushed brass metal finish, black cord

# SkLO

## Wrap Pin 1.09

PENDANT



Our signature SkLO Large Wrap, a continuous wound length of the handblown Czech glass tube, is featured on the Wrap Pin Pendant. The glass element hangs from a brass "pin" element, made of a continuous ribbon of a brass bar, which opens and closes to allow for removal of the glass. The brass socket is suspended on an exposed fabric-wrapped electrical cord from the top of the "pin" and suspends the light bulb within the opening at the top of the glass.

UL listed suitable for dry and damp locations (US & Canada)

Socket 120V E26 60W Max

LED bulb included

Requires recessed electrical box for installation

Standard canopy does NOT accommodate sloped ceilings or swagging of this light – other canopy options are available at additional cost – see Canopy Variants specification sheet

Specify overall drop length – not field adjustable

Minimum overall drop length: 18"/460mm

Lengths over 57"/1450mm available at additional cost

Fixture weight (approximate): 6lbs/3kg

All glass dimensions are approximate – handblown glass dimensions vary by nature and intent

Made in the Czech Republic

- LT127 [---][--]
- Wrap Pin 1.09 Pendant
- Glass colors
- Amber [AMB]
  - Clear [CLR]
  - Gray [GRY]
  - New Blue [NBL]
  - Silver Mirror [SLV]
  - Smoke [SMK]
  - Steel Blue [SBL]
  - White [WHT]
- Metal finishes
- Dark Oxidized [DX]
  - Brushed Brass [BB]
  - Brushed Nickel [BN]
  - Polished Nickel [PN]
- Cord Colors
- Black
  - Blue
  - Gold
  - Gray



twentieth

sales@twentieth.net

323.904.1200

www.twentieth.net

Copyright © May 2023 Sklo.com

154



Copyright © May 2023 Sklo.com

155

# SkLO

## Wrap Pin 1.21

PENDANT

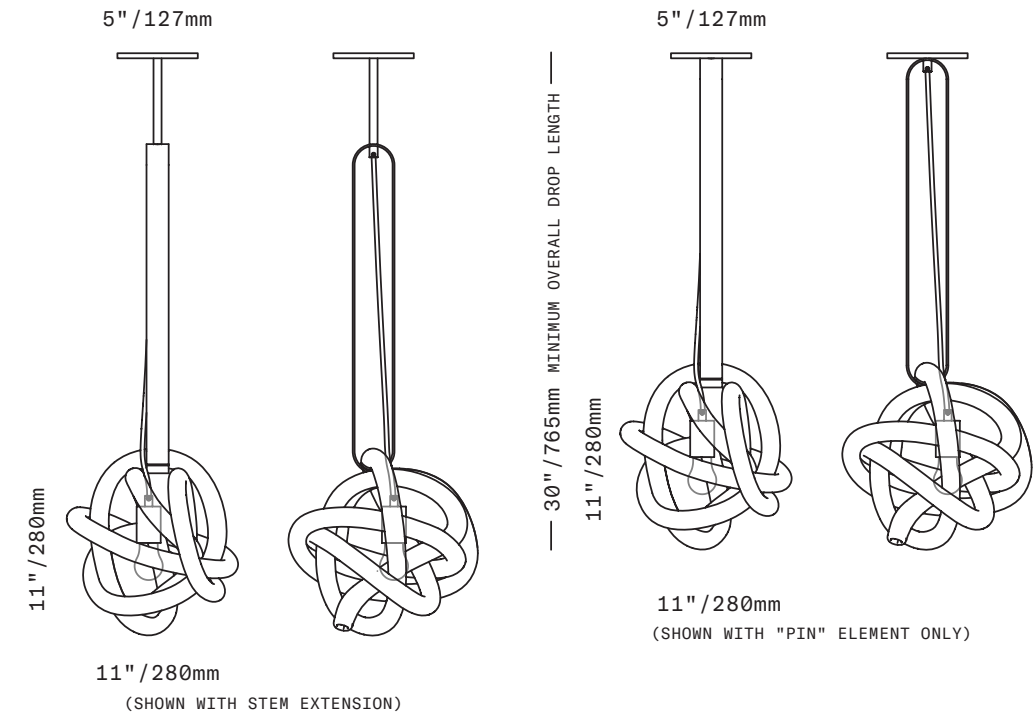


Wrap Pin 1.21 Pendant with clear glass, brushed brass metal finish, gold cord

# SkLO

## Wrap Pin 1.21

PENDANT



Our signature SkLO Large Wrap, a continuous wound length of the handblown Czech glass tube, is featured on the Wrap Pin Pendant. The glass element hangs from a brass "pin" element, made of a continuous ribbon of a brass bar, which opens and closes to allow for removal of the glass. The brass socket is suspended on an exposed fabric-wrapped electrical cord from the top of the "pin" and suspends the light bulb within the opening at the top of the glass.

UL listed suitable for dry and damp locations (US & Canada)

Socket 120V E26 60W Max

LED bulb included

Requires recessed electrical box for installation

Accommodates sloped ceilings

Specify overall drop length – not field adjustable

Minimum overall drop length: 30"/765mm

Lengths over 69"/1750mm available at additional cost

Fixture weight (approximate): 7lbs/3.5kg

All glass dimensions are approximate – handblown glass dimensions vary by nature and intent

Made in the Czech Republic

LT126 [---][--]

Wrap Pin 1.21 Pendant

Glass colors

- Amber [AMB]
- Clear [CLR]
- Gray [GRY]
- New Blue [NBL]
- Silver Mirror [SLV]
- Smoke [SMK]
- Steel Blue [SBL]
- White [WHT]

Metal finishes

- Dark Oxidized [DX]
- Brushed Brass [BB]
- Brushed Nickel [BN]
- Polished Nickel [PN]

Cord Colors

- Black
- Blue
- Gold
- Gray



twentieth

sales@twentieth.net

323.904.1200

www.twentieth.net

Copyright © May 2023 Sklo.com

156



Copyright © May 2023 Sklo.com

157

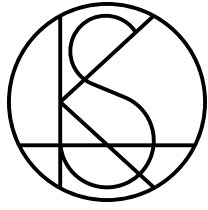
twentieth

[sales@twentieth.net](mailto:sales@twentieth.net)

323.904.1200

[www.twentieth.net](http://www.twentieth.net)





twentieth

[sales@twentieth.net](mailto:sales@twentieth.net)

323.904.1200

[www.twentieth.net](http://www.twentieth.net)