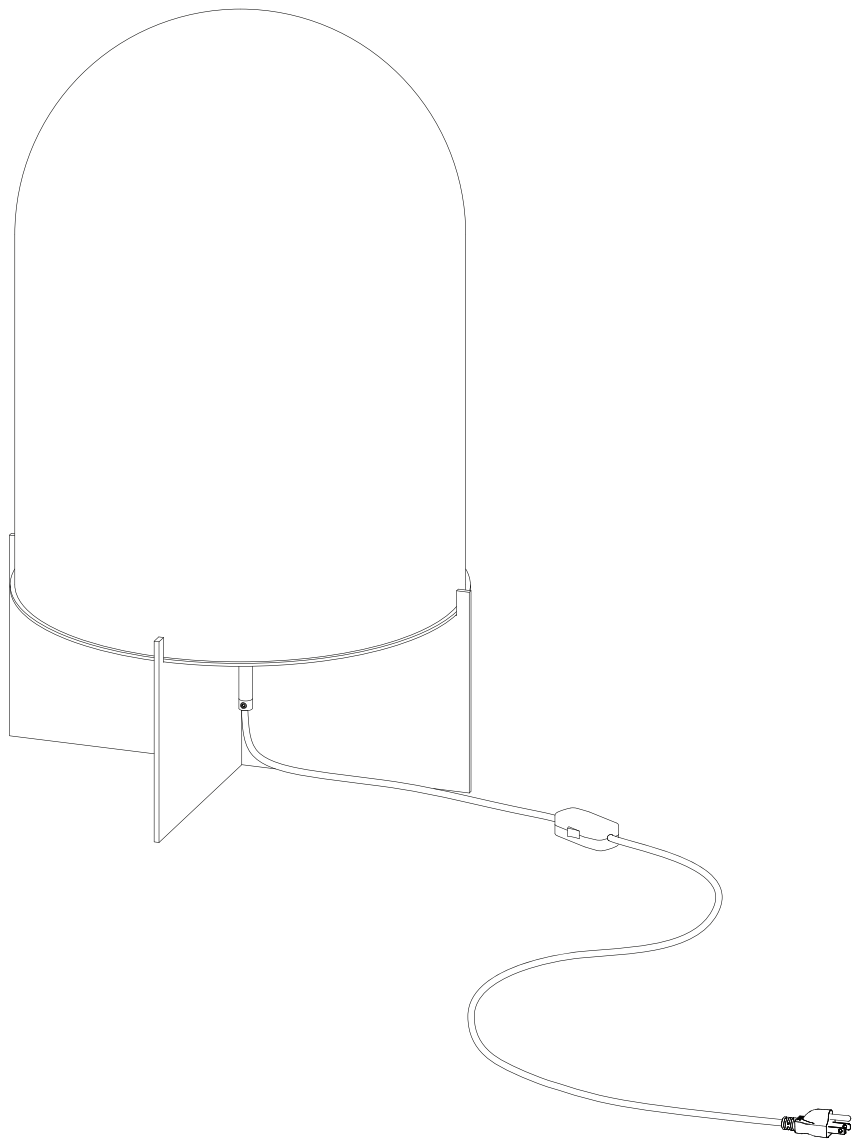




DOME LIGHT

Installation Instructions



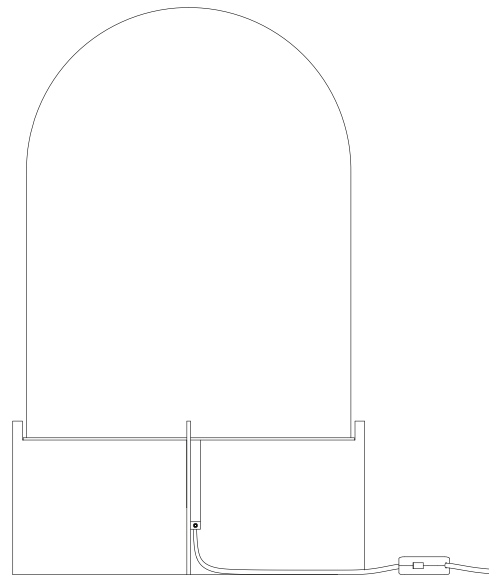


DOME LIGHT

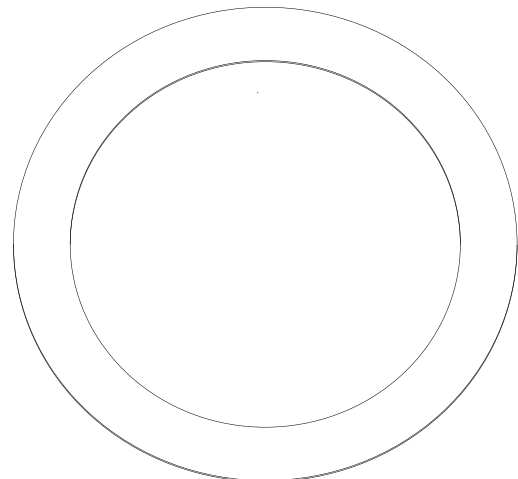
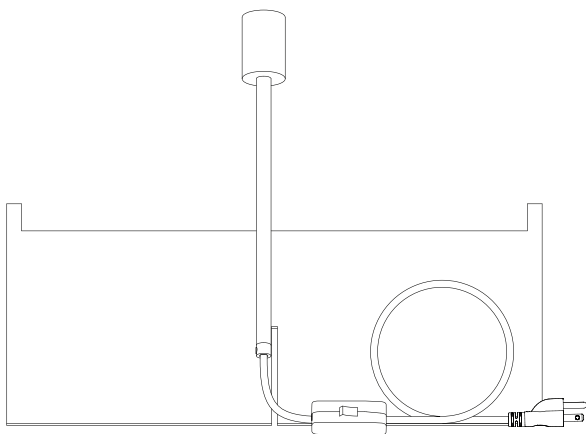
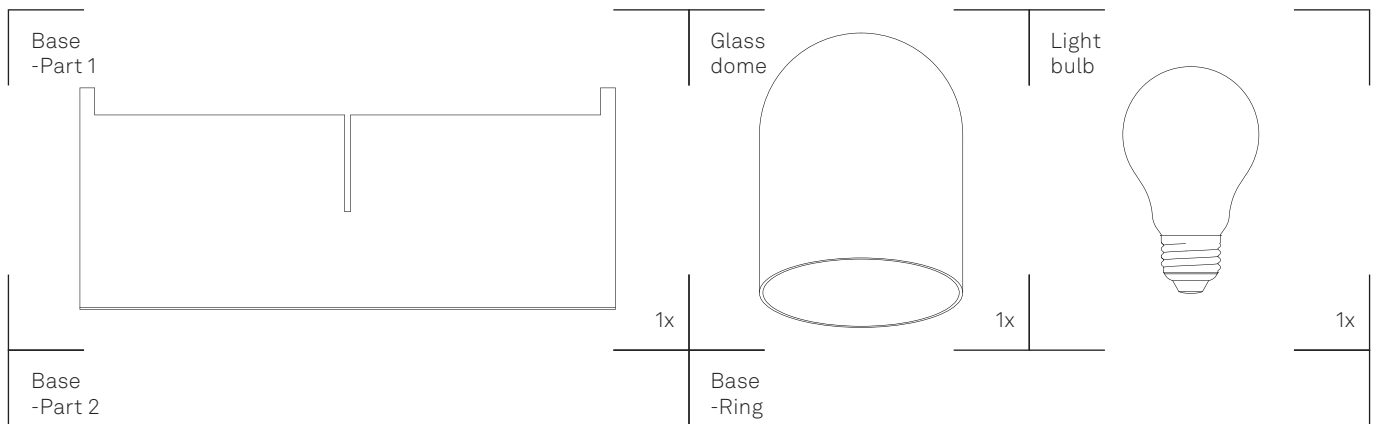
Congratulations on your purchase of a SkLO Dome Light. This product must be installed in accordance with the applicable codes. Use a maximum 60W bulb.

When unpacking individual items and parts of the light fixture, make sure to lay them out on a protective surface that will neither mar the delicate metal finishes nor scratch the glass. Gloves (nitrile) are provided and must be worn during installation to avoid fingerprints on the finish of the exposed metal parts.

Your SkLO fixture will arrive with the hand-blown glass elements packed separately from the light fixture itself.



CONTENTS:



twentieth
sales@twentieth.net

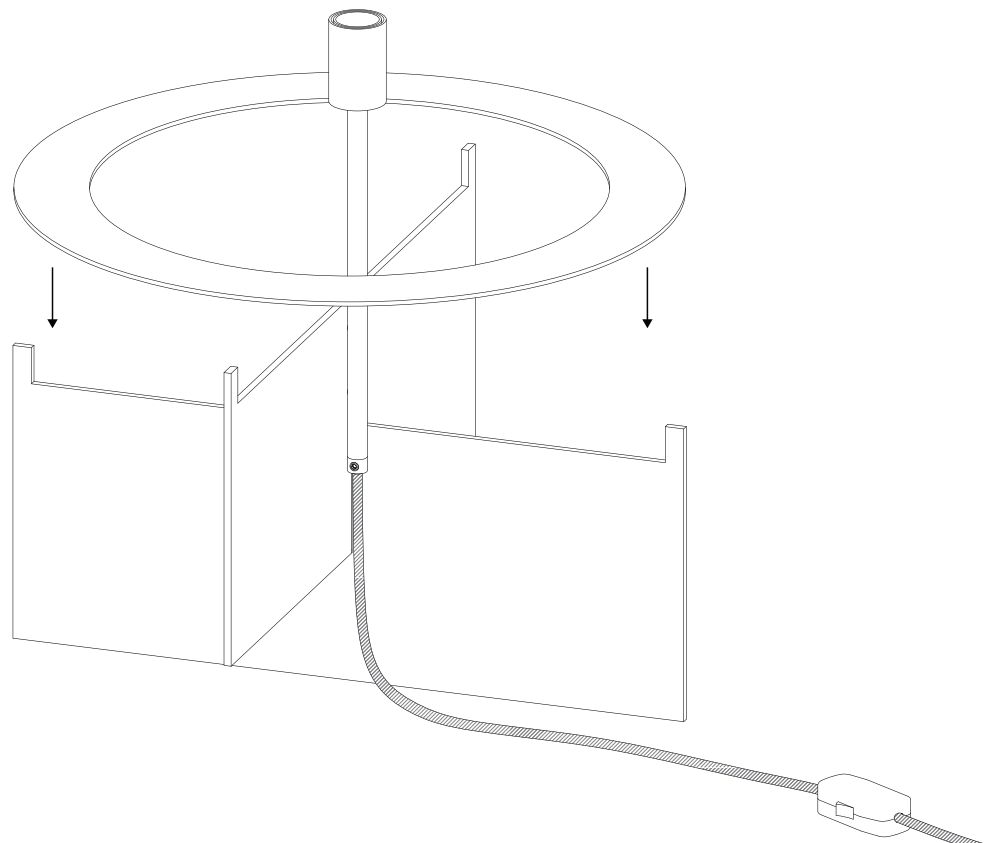
323.904.1200

www.twentieth.net



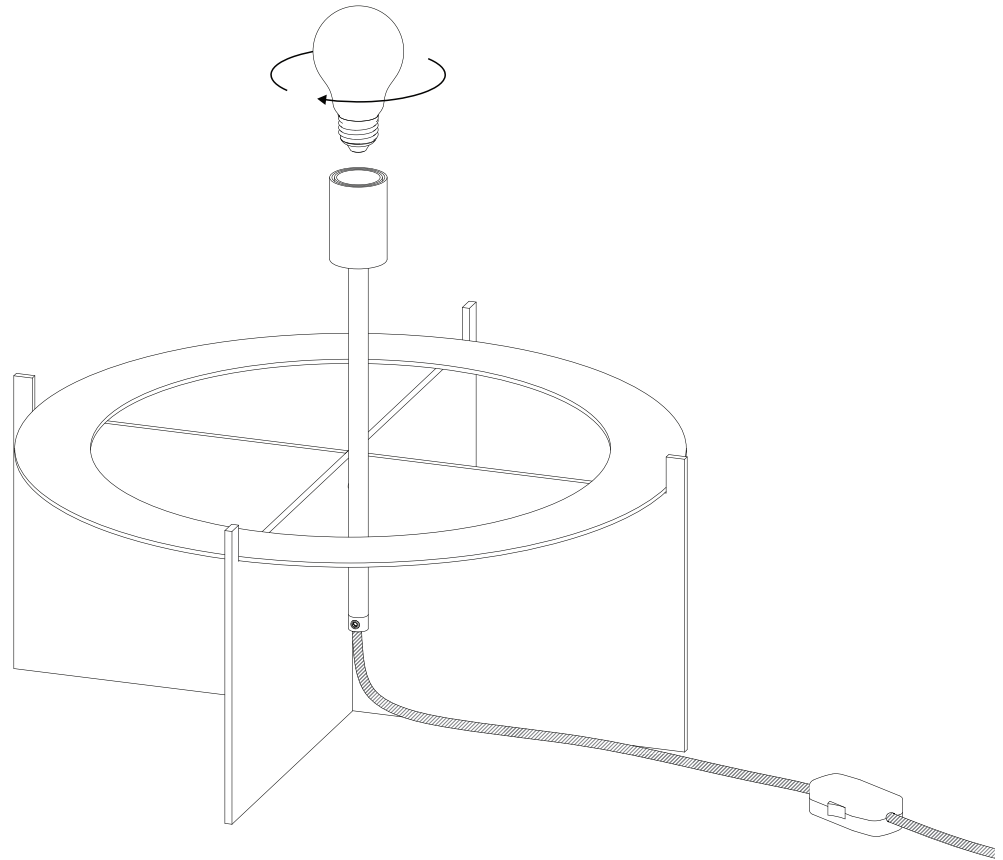
1. Insert Part 2, which includes the stem and socket assembly, into Part 1 of the base using the designated slots. Make sure the two parts fit together perfectly and the upward-facing edges are aligned. Carefully place the ring part on top of the two parts (Figure 1).
2. Install the supplied LED light bulb (60W Max) into the socket (Figure 2).
3. Unwrap the protective packaging from the glass dome. Carefully place the glass dome on top of the base (Figure 3).

1.

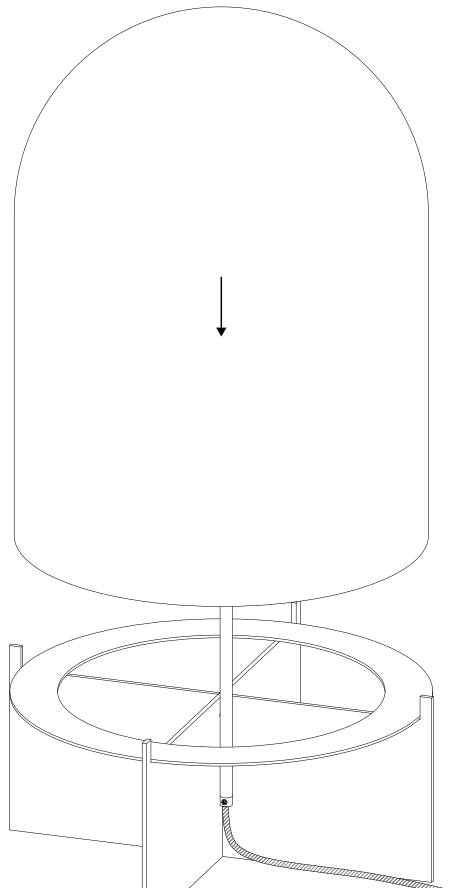




2.



3.



SkLO

twentieth

sales@twentieth.net

323.904.1200

www.twentieth.net