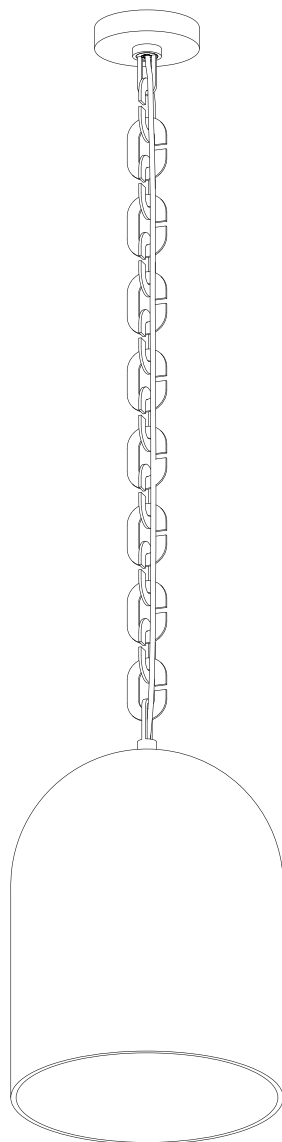




DOME PENDANT

Installation Instructions



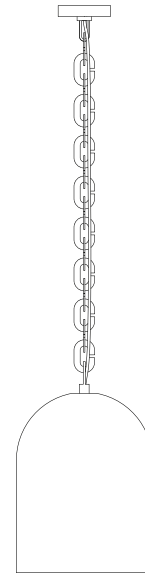


DOME PENDANT

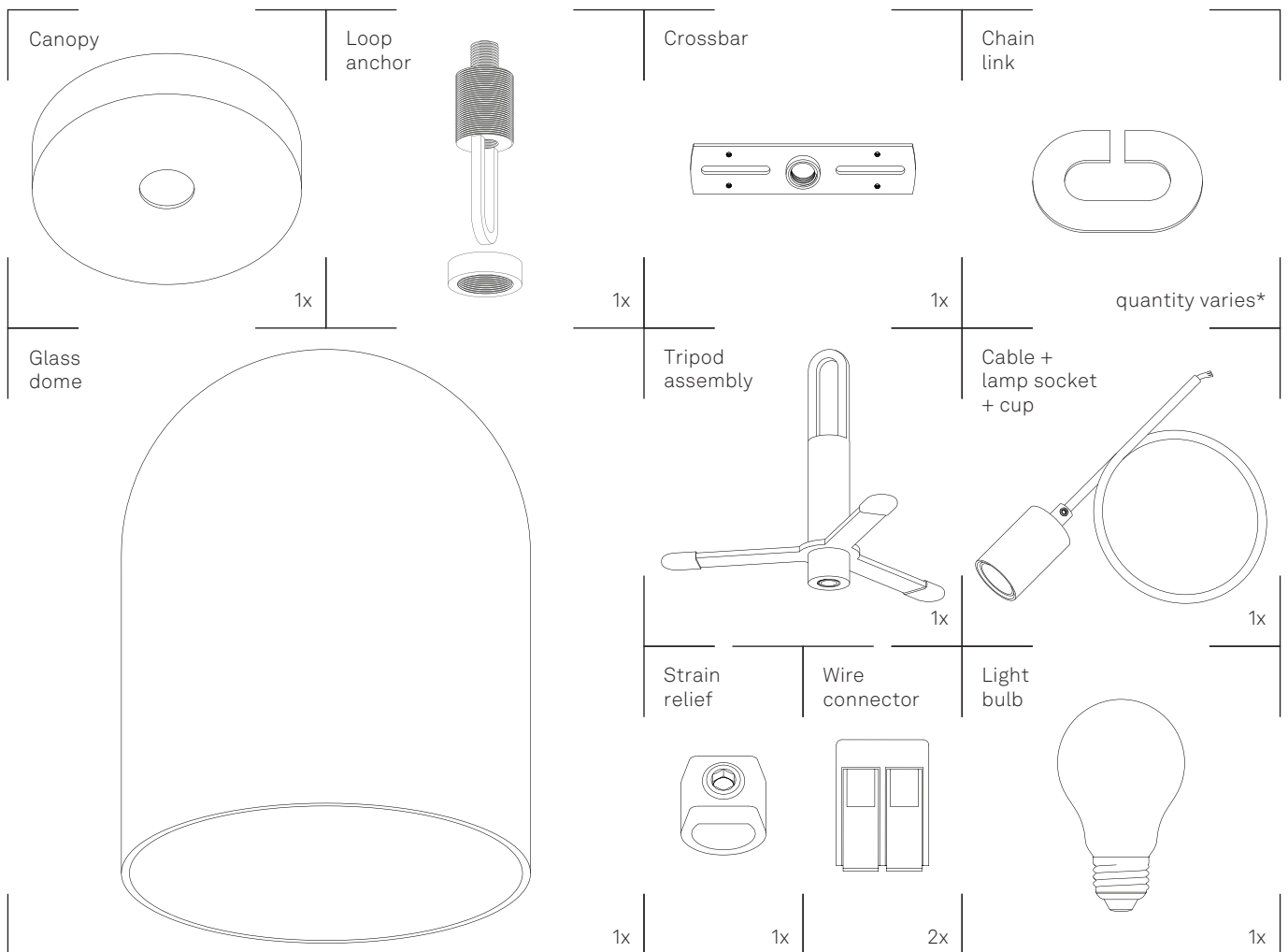
Congratulations on your purchase of a SkLO Dome Pendant. This product must be installed in accordance with the applicable codes by a person familiar with the construction and operation of the product and the hazards involved, preferably a licensed electrician. Use a maximum 60W bulb.

When unpacking individual items and parts of the light fixture, make sure to lay them out on a protective surface that will neither mar the delicate metal finishes nor scratch the glass. Gloves (nitrile) are provided and must be worn during installation to avoid fingerprints on the finish of the exposed metal parts.

Your SkLO fixture will arrive with the hand-blown glass elements packed separately from the light fixture itself.



CONTENTS:



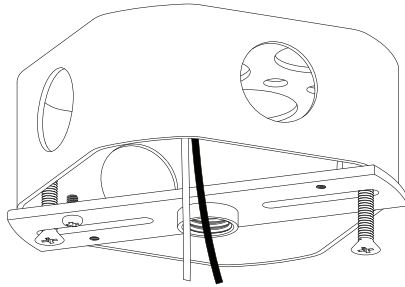


1. Install the crossbar (provided) to the recessed electrical box using appropriate machine screws (not provided) (Figure 1).
2. Attach the loop anchor to the crossbar by threading the exposed nipple threaded in the loop anchor. Thread fully until tight (Figure 2a). Slide the canopy up over the anchor loop and secure it in place by threading on a threaded ring (Figure 2b).
3. Assemble the chain by sliding chain links onto each other. Take great care when assembling the chain so that chain links do not scratch (Figure 3).
4. Carefully pass the fabric-wrapped electrical cord through the hole in the tripod assembly in a direction from the bottom towards the loop on the top. Pass the tripod assembly with the cord through the hole on the top part of the glass dome diffuser. Carefully hook the chain to the loop on the top of the assembly (Figure 4).
5. Carefully raise the fixture by the chain and hook the chain link on the free end to the loop anchor. Unthread the threaded ring below the canopy and carefully lower the canopy until it sits on the chain (Figure 5).
6. Carefully feed the fabric-wrapped electrical cord through all parts of the canopy assembly in the following order: 1. threaded ring, 2. canopy, 3. loop anchor. Pull the end of the cord all the way out of the recessed electrical box to have easy access to the exposed leads. Slide plastic strain relief over the end of the cord and fix the length of the cord by tightening set screw – do not overtighten or damage the electrical cord and insulation. Connect the exposed leads of the fixture to the exposed leads in the electrical box, following the wiring diagram and using the provided wire connectors. Attach the ground (TE) wires to ground (TE) wires of the light fixture, phase 1 (L1) to phase 1 (L1) of the light fixture, neutral (N) to neutral (N) of the light fixture (Figure 6). Please note the number and type of wire connectors may vary.
7. Raise the canopy up all the way flush to the ceiling taking care that no electrical cables or connections are exposed where the canopy meets the ceiling. Fasten the canopy to the loop anchor by threading on the threaded ring (Figure 7).
8. Install the supplied LED light bulb (60W Max) into the socket (Figure 8).

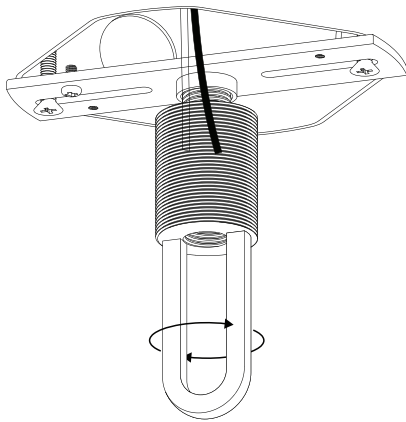
*Proposed appropriate length of the exposed cord below the tripod assembly is 2 1/2" for Dome 17 Pendant and 4 1/2" for Dome 22 Pendant.



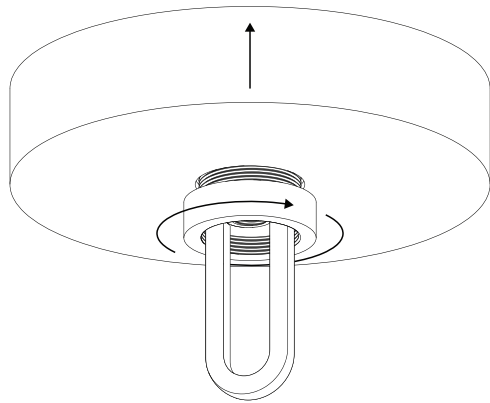
1.



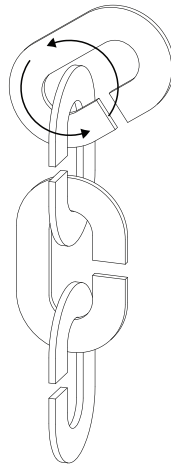
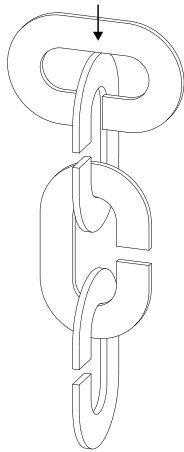
2a.



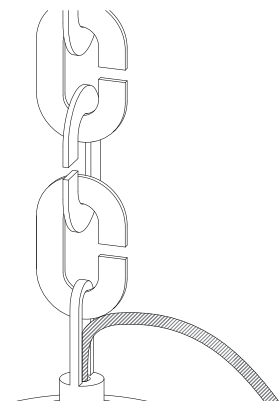
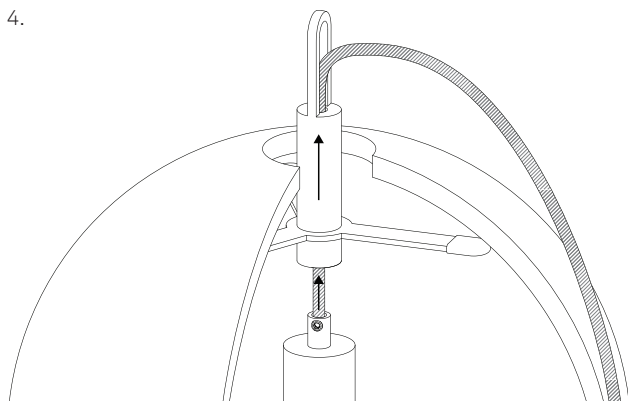
2b.



3.

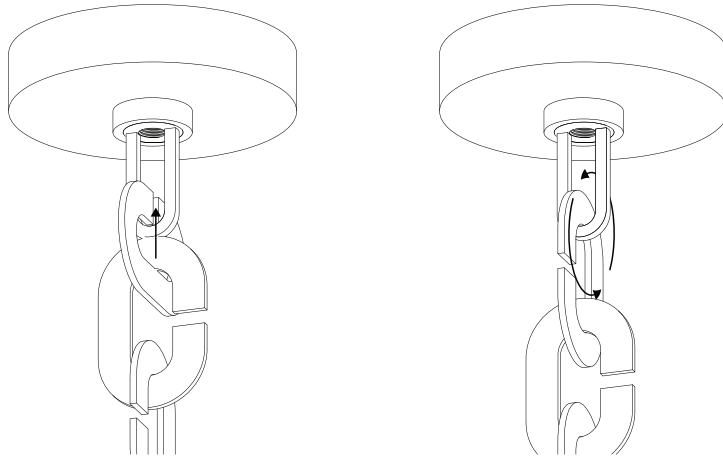


4.

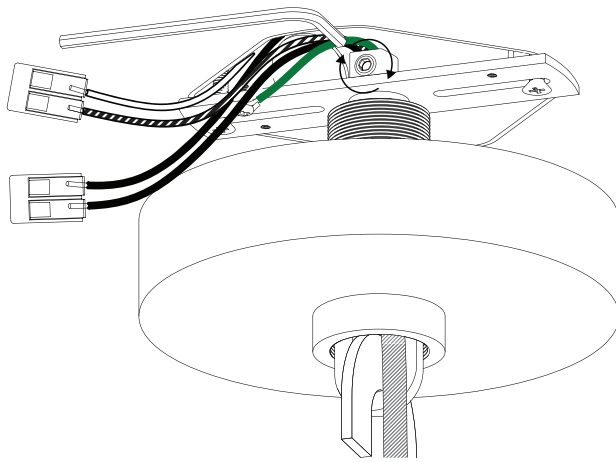




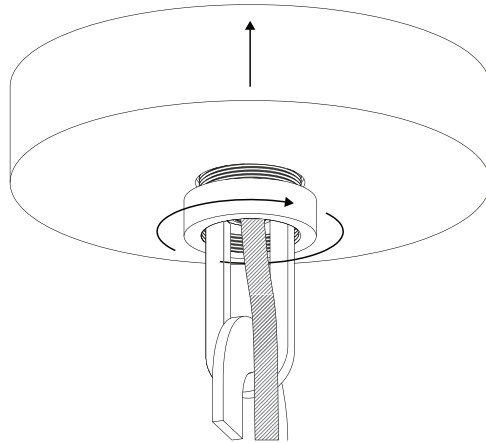
5.



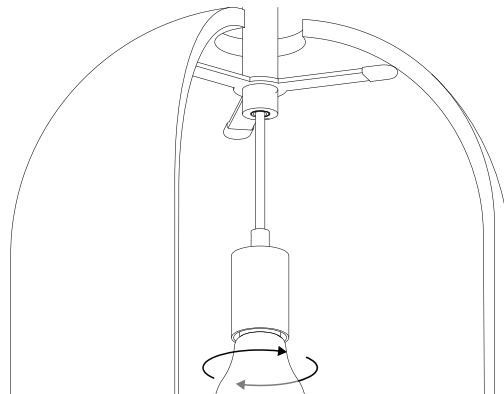
6.



7.



8.



SkLO

twentieth

sales@twentieth.net

323.904.1200

www.twentieth.net