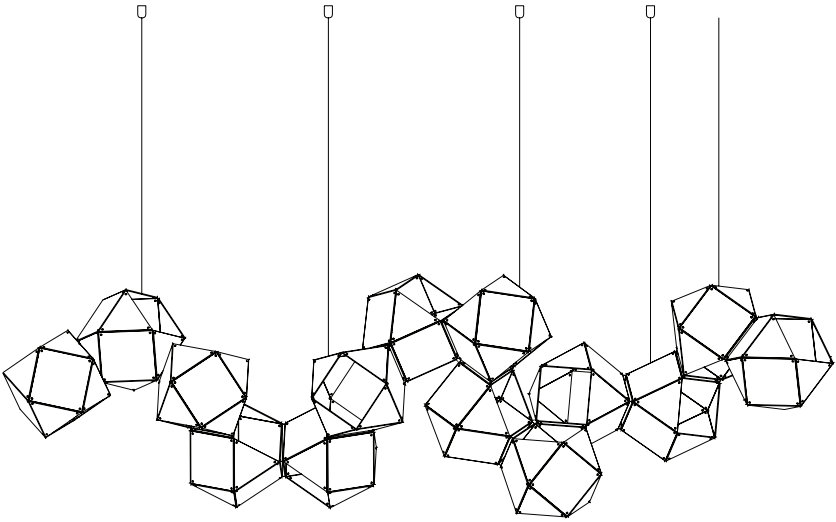




FILE#: E488971

FILE#: E503097



# WELLES STEEL

## Chandelier Installation Guide

- Suspended mount only.
- Certified electrician recommended for electrical installation.
- Minimum 2 people recommended for installation.
- Terminal Block not included. Installation may require advice from a qualified person.
- Junction box rated for minimum of 50lbs or structural blocking required to support fixture.
- Structural blocking required at monopoint locations, adequate drywall plugs may be substituted.
- For all LED fixtures, use only with class 2 power unit.
- The light source contained in this luminaire shall only be replaced by the manufacturer or his service agent or a similar qualified person. Contact manufacturer for service.
- For controllable luminaires, the classification of insulation that has been maintained between LV supply and control conductors shall be provided.... basic insulation, reinforced insulation etc.

**\* IMPORTANT: Please provide email confirmation that your order and its related components have been received in their entirety and in good condition. Failure to do so within 7 days of delivery will waive all product warranties.**

GABRIEL SCOTT  
LUMINAIRES



### Provided supplies

- Welles Fixture
- Hanging plan
- Male monopoints
- Provided bulbs (incandescent fixtures only)
- Universal T-bar
- Installation screws

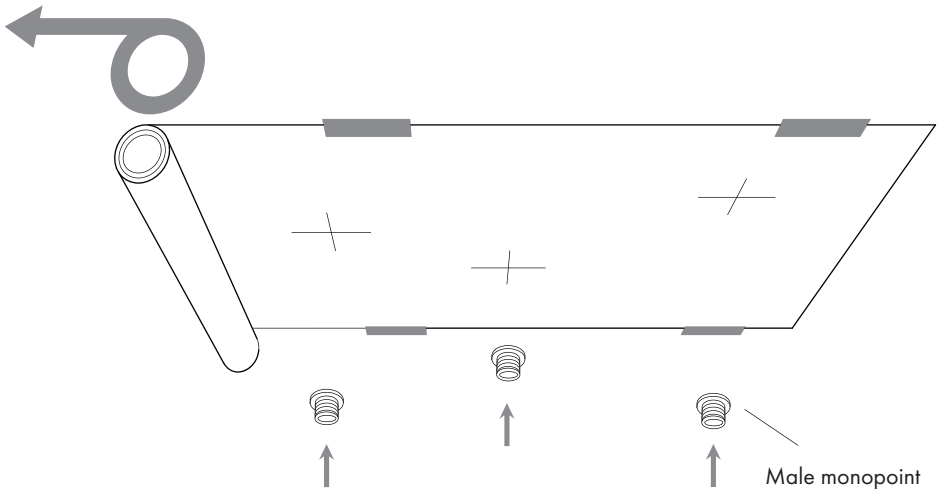
### Required tools and hardware

- Screwdriver
- Drywall anchors suitable for 25lbs for mono points
- 4x 2-pole wiring terminals, screws or screwless, 12-18AWG (1.0-2.5mm<sup>2</sup>) rated for 600V, 15A / ex: WAGO 222-412
- LED driver; input: local line voltage, output: 12Vdc SELV, 5A, Max 60 watt, Class 2 LED driver

## STEP 1

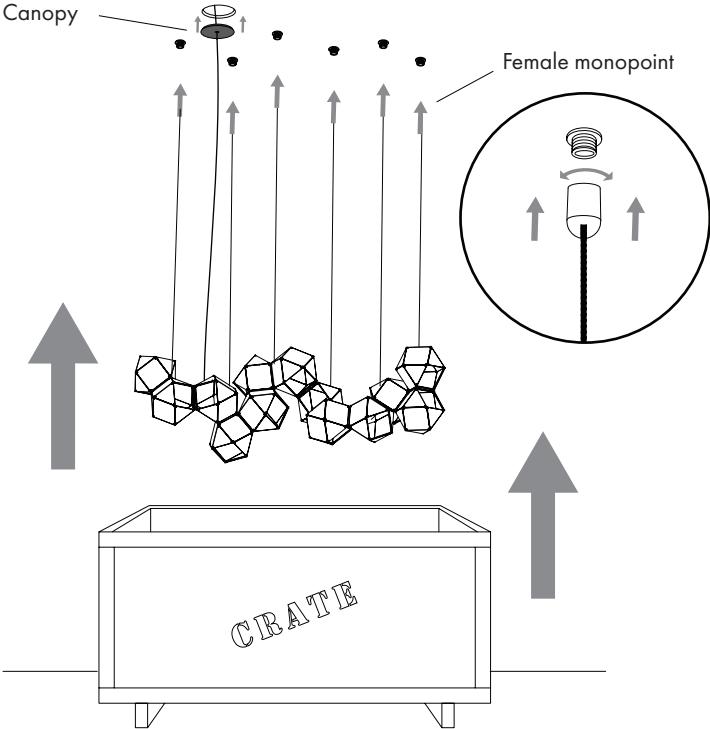
Tape provided 1:1 printed template to ceiling at desired location and install all male monopoints at the cross indicated on the template.

Note: Each anchor point should be capable of supporting 25lbs and therefore adequate blocking or toggle bolts are required for proper support at the location of each male monopoint.



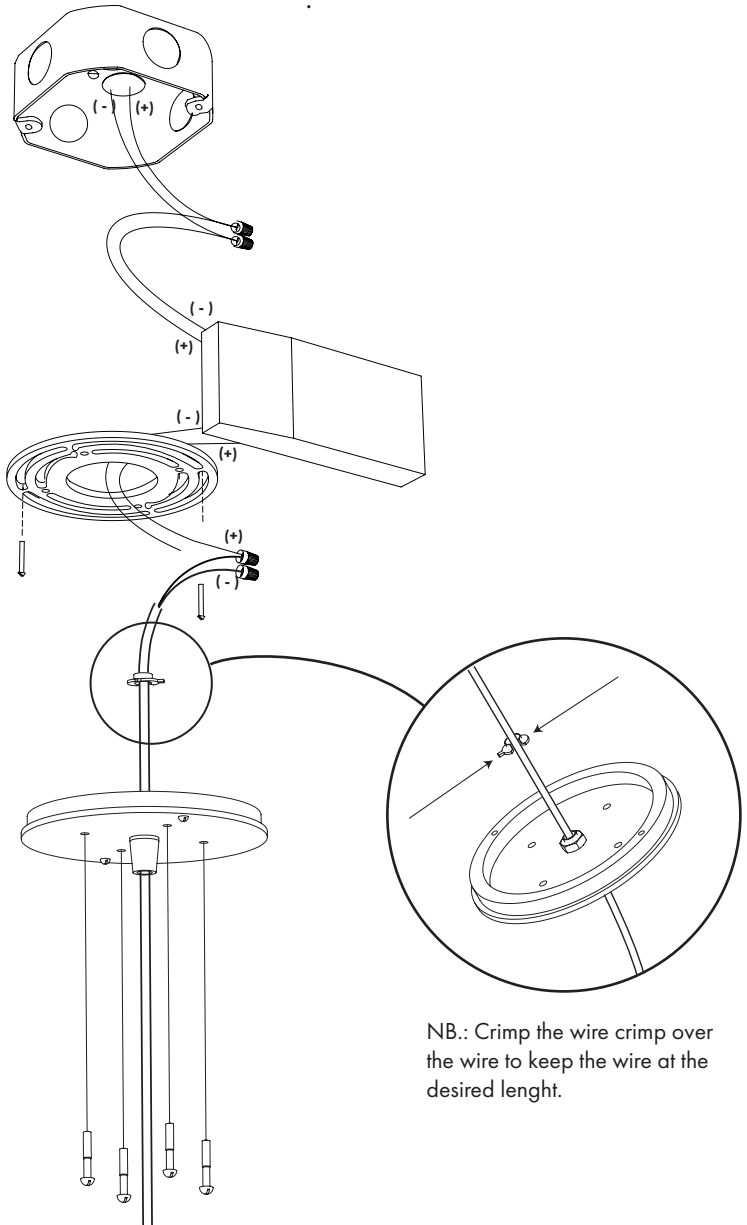
**STEP**  
**2**

Supporting the fixture with at least two (2) other people, screw the female monopoints into the male monopoints on the ceiling.



**STEP  
4**

Using wire terminals, connect the LED driver to the fixture (Maximum distance 100', use 12-18AWG (1.0-2.5mm)). The white wire is Negative (-) and the black wire is Positive (+). Finally install the universal T-bar and then secure the canopy to the T-bar using the screws provided. The drop height should already be set to the correct height with a grip lock.



NB.: Crimp the wire crimp over the wire to keep the wire at the desired length.

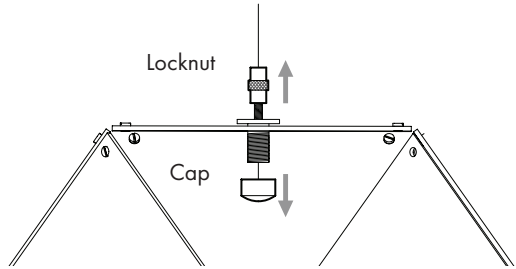
**OPT.  
STEP**

Aircraft cable adjustment instructions:

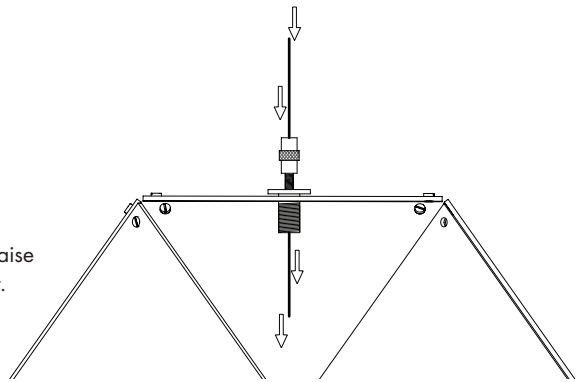
In order to adjust each of the support cables, start at one end of the fixture and proceed with the following steps:

**IMPORTANT:** Fixture is to be properly supported until final step is complete.

Loosen locknut from cable gripper and remove cap from interior of cube.



Start feeding cable to raise fixture to desired height.



Very tightly secure locknut back in place and cut excess cable before reattaching bottom cap.

